



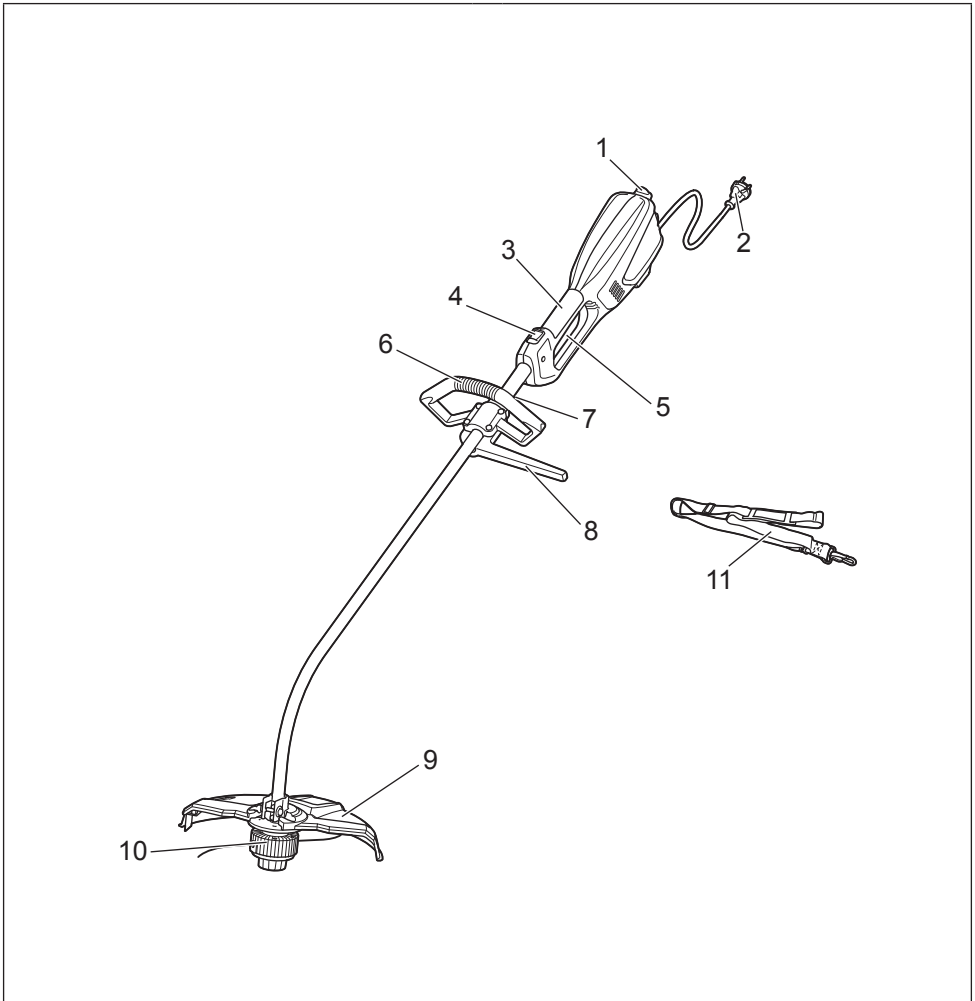
UR3500
UR3501

GB	Electric Grass Trimmer	Instruction Manual
F	Coupe-Herbe Electrique	Manuel d'instructions
D	Elektro-Trimmer	Gebrauchsanleitung
I	Tosaerba elettrico	Istruzioni per l'uso
NL	Elektrische grastrimmer	Gebruiksaanwijzing
E	Cortadora de Césped	Manual de instrucciones
P	Aparador de Grama Eléctrico	Manual de instruções
DK	Elektrisk græstrimmer	Brugervejledning
GR	Ηλεκτρικό κουρευτικό γκαζόν	Εγχειρίδιο οδηγιών
TR	Elektrikli Çim Bıçme Makinesi	Kullanım Kılavuzu
S	Elektrisk gråstrimmer	Bruksanvisning
N	Elektrisk gresstrimmer	Bruksanvisning
FIN	Sähkökäyttöinen ruohotrimmeri	Käyttöohje
LV	Elektriskais zāles trimmeris	Lietošanas rokasgrāmata
LT	Elektrinė žoliapjovė	Naudojimo instrukcija
EE	Elektriline murutrimmer	Kasutusjuhend
PL	Wykaszarka Elektryczna	Instrukcja obsługi
HU	Elektromos fűnyíró	Használati útmutató
SK	Elektrická kosačka na trávu	Návod na obsluhu
CZ	Elektrický vyžinač	Návod k použití
SI	Električna kosilnica na nitko	Navodila za uporabo
AL	Kositës Elektrik i Barit	Manual Udhëzimi
BG	Електрически тример за трева	Упътване за работа
HR	Električni trimer za travu	Upute za korištenje
MK	Електрични ножици за трева (тример)	Упатство за работа
RO	Trimmer electric pentru iarbă	Manual de instrucțiuni
RS	Електрични тример за траву	Упутство за употребу
RUS	Электрокоса	Инструкция по эксплуатации
UA	Електротример	Інструкція з експлуатації
AR		

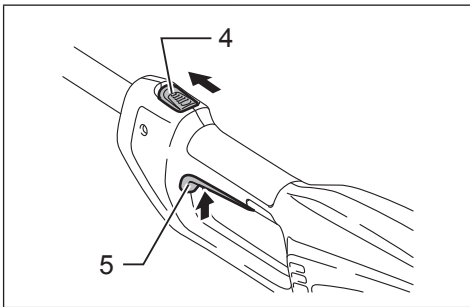
أداة تشذيب عشب كهربائية

دليل التعليمات

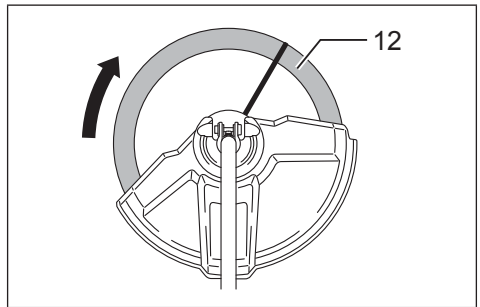




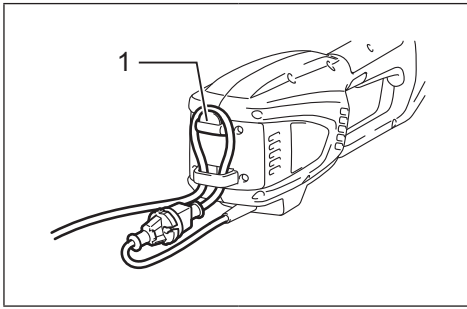
1



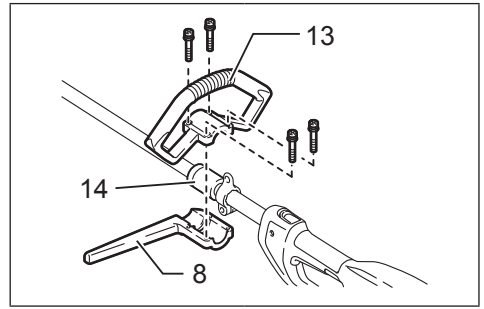
2



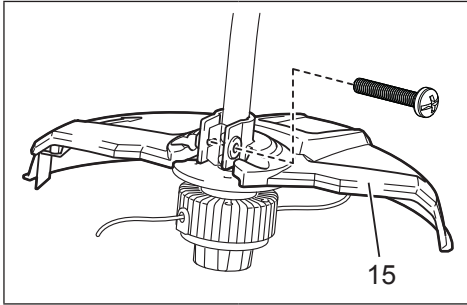
3



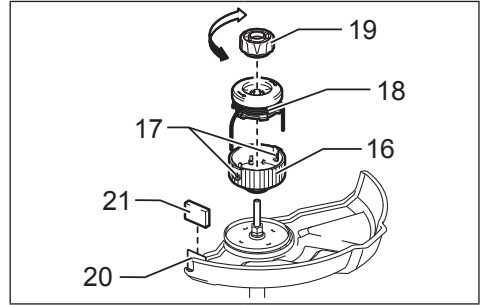
4



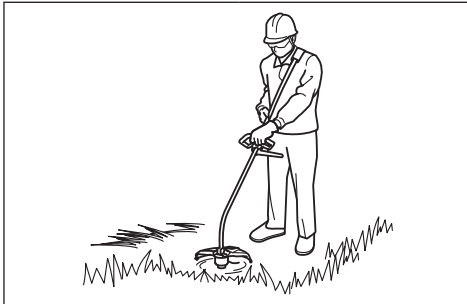
5



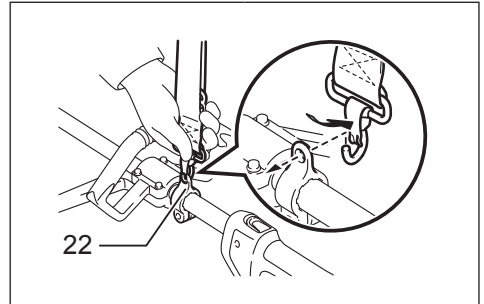
6



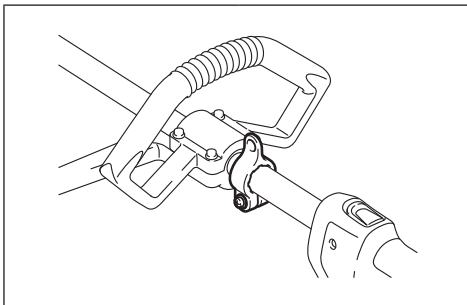
7



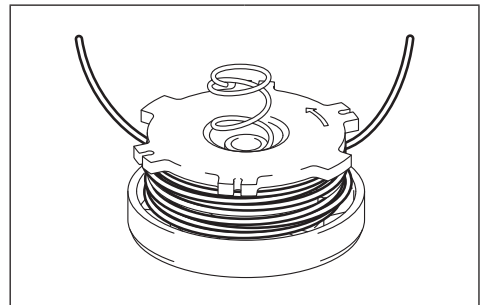
8



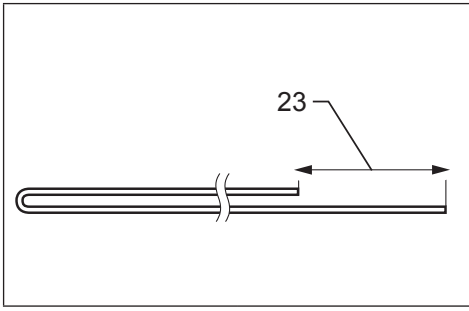
9



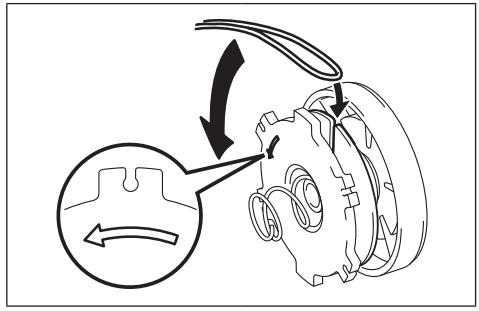
10



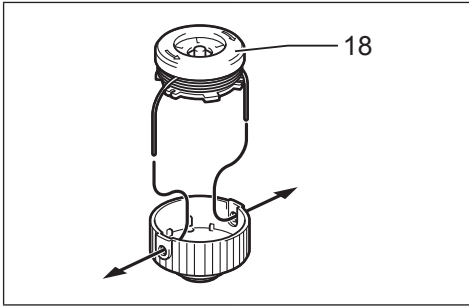
11



12



13



14

Explanation of general view

1 Cable holder	8 Barrier	17 Eyelets
2 Power supply cord (the shape may differ from country to country)	9 Cutting tool guard (protector)	18 Spool
3 Rear handle	10 Cutting tool	19 Lock screw
4 Lock-off lever	11 Shoulder harness	20 Cord cutter
5 Switch trigger	12 Most effective cutting area	21 Cover
6 Front handle	13 Handle	22 Hanger
7 Hanger (suspension point)	14 Rubber part	23 80 – 100 mm
	15 Protector	
	16 Cup	

SPECIFICATIONS

Model	UR3500	UR3501
Type of handle	Loop handle	
Overall length	1,550 mm	
Net weight	4.3 kg	
Continuous rating input	700 W	1,000 W
No load speed	6,500 min ⁻¹	6,500 min ⁻¹
Applicable cutting tool	Nylon cutting head	
Cutting width	350 mm	
Safety class	▣ / II	

- Due to our continuing program of research and development, the specifications herein are subject to change without notice.
- Specifications may differ from country to country.
- Weight according to EPTA-Procedure 01/2003

Noise	Sound pressure level average		Sound power level average		Applicable standard
	Model	L _{PA} (dB(A))	Uncertainty K (dB(A))	L _{WA} (dB(A))	
UR3500	81.6	2.5	93.75	1.46	EN 50636-2-91: 2014
UR3501	79.8	2.5	93.4	1.61	

- Wear ear protection.

Vibration	Front grip		Rear grip		Applicable standard or directive
	Model	a _h (m/s ²)	Uncertainty K (m/s ²)	a _h (m/s ²)	
UR3500	2.272	1.5	2.222	1.5	EN 50636-2-91: 2014
UR3501	2.268	1.5	2.248	1.5	















- The declared vibration emission value has been measured in accordance with the standard test method and may be used for comparing one tool with another.
- The declared vibration emission value may also be used in a preliminary assessment of exposure.

⚠ WARNING:

- The vibration emission during actual use of the power tool can differ from the declared emission value depending on the ways in which the tool is used.
- Be sure to identify safety measures to protect the operator that are based on an estimation of exposure in the actual conditions of use (taking account of all parts of the operating cycle such as the times when the tool is switched off and when it is running idle in addition to the vibration time).

Symbols

The following show the symbols used for the equipment. Be sure that you understand their meaning before use.

-  • Take particular care and attention.
-  • Read instruction manual.
-  • Danger; be aware of thrown objects.
-  • The distance between the tool and bystanders must be at least 15 m.
-  • Keep bystanders away.
-  • Keep distance at least 15 m.
-  • Wear a helmet, goggles and ear protection.
-  • Wear protective gloves.
-  • Wear sturdy boots with nonslip soles. Steeltoed safety boots are recommended.
-  • Do not expose to moisture.
-  • Disconnect the mains plug if the cord is damaged or entangled.
-  • Do not use blade.
-  • DOUBLE INSULATION
-  • Only for EU countries
Do not dispose of electric equipment together with household waste material!
In observance of the European Directive, on Waste Electric and Electronic Equipment and its implementation in accordance with national law, electric equipment that have reached the end of their life must be collected separately and returned to an environmentally compatible recycling facility.

For European countries only

EC Declaration of Conformity

Makita declares that the following Machine(s):

Designation of Machine:
Electric Grass Trimmer
Model No./ Type: UR3500, UR3501
Specifications: see "SPECIFICATIONS" table.

Conforms to the following European Directives:

2000/14/EC, 2006/42/EC, 2004/108/EC

They are manufactured in accordance with the following standard or standardized documents:

EN 60335-1, EN 50636-2-91, EN 62233,
EN 55014-1, EN 55014-2, EN 61000-3-2,
EN 61000-3-3

The technical file in accordance with 2006/42/EC is available from:

Makita, Jan-Baptist Vinkstraat 2, 3070, Belgium

The conformity assessment procedure required by Directive 2000/14/EC was in Accordance with annex VI.

Notified Body:

Société Nationale de Certification et d'Homologation
11, rue de Luxembourg L-5230 Sandweiler
Identification number 0499

Model UR3500

Measured Sound Power Level: 93.75 dB (A)

Guaranteed Sound Power Level: 96 dB (A)

Model UR3501

Measured Sound Power Level: 93.4 dB (A)

Guaranteed Sound Power Level: 96 dB (A)

30.1.2015



Yasushi Fukaya
Director

Makita, Jan-Baptist Vinkstraat 2, 3070, Belgium

IMPORTANT SAFETY INSTRUCTIONS

⚠ WARNING! Read all safety warnings and all instructions. Failure to follow the warnings and instructions may result in electric shock, fire and/or serious injury.

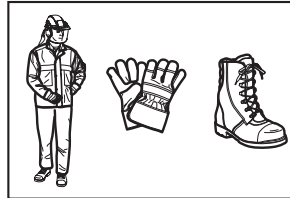
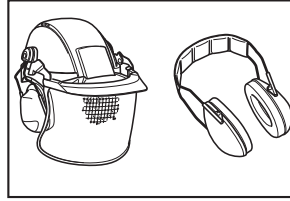
Save all warnings and instructions for future reference.

1. This appliance can be used by children aged from 8 years and above and persons with reduced physical, sensory or mental capabilities or lack of experience and knowledge if they have been given supervision or instruction concerning use of the appliance in a safe way and understand the hazards involved.
2. Children shall not play with the appliance.
3. Be familiar with the controls and proper use of the equipment.
4. **Warning.** Cutting elements continue to rotate after the motor is switched off.
5. Never allow children or people unfamiliar with the instructions to use the machine.
6. Stop using the machine while people, especially children, or pets are nearby.
7. Only use the machine in daylight or good artificial light.
8. Before using the machine and after any impact, check for signs of wear or damage and repair as necessary.
9. Take care against injury from any device fitted for trimming the filament line length. After extending new cutter line always return the machine to its normal operating position before switching on.
10. Never replace the non-metallic cutting means with metallic cutting means.
11. This appliance is not intended for use by persons (including children) with reduced physical, sensory or mental capabilities, or lack of experience and knowledge, unless they have been given supervision or instruction concerning use of the appliance by a person responsible for their safety. Children should be supervised to ensure that they do not play with the appliance.
12. Use the tool with the utmost care and attention.
13. Operate the tool only if you are in good physical condition. Perform all work calmly and carefully. Use common sense and keep in mind that the operator or user is responsible for accidents or hazards occurring to other people or their property.
14. Never operate the tool when tired, feeling ill or under the influence of alcohol or drugs.
15. The tool should be switched off immediately if it shows any signs of unusual operation.
16. Disconnect the machine from the mains before checking, cleaning or working on the machine and when it is not in use.
17. Never use replacement parts or accessories not provided or recommended by the manufacturer.

Intended use of the tool

1. Use right tool. The electronic grass trimmer is only intended for cutting grass, light weeds. It should not be used for any other purpose such as hedge cutting as this may cause injury.

Personal protective equipment



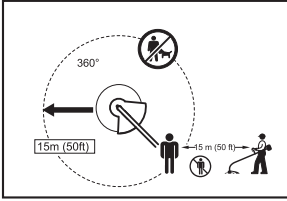
1. **Dress Properly.** The clothing worn should be functional and appropriate, i.e. it should be tight-fitting but not cause hindrance. Do not wear either jewelry or clothing which could become entangled with high grass. Wear protective hair covering to contain long hair.
2. When using the tool, always wear sturdy shoes with a non-slip sole. This protects against injuries and ensures a good footing.
3. Wear protective glasses or goggles.

Electrical safety

1. **Avoid dangerous environment.** Don't use the tool in damp or wet locations or expose it to rain. Water entering the tool will increase the risk of electric shock.
2. **Power tool plugs must match the outlet.** Never modify the plug in any way. Do not use any adapter plugs with earthed (grounded) power tools. Unmodified plugs and matching outlets will reduce risk of electric shock.
3. **Avoid body contact with earthed or grounded surfaces such as pipes, radiators, ranges and refrigerators.** There is an increased risk of electric shock if your body is earthed or grounded.
4. **Do not abuse the cord.** Never use the cord for carrying, pulling or unplugging the power tool. Keep cord away from heat, oil, sharp edges or moving parts. Damaged or entangled cords increase the risk of electric shock.
5. **When operating a power tool outdoors,** use an extension cord suitable for outdoor use. Use of a cord suitable for outdoor use reduces the risk of electric shock.
6. **If operating a power tool in a damp location is unavoidable,** use a residual current device (RCD) protected supply. Use of an RCD reduces the risk of electric shock.
7. **Use of power supply via a RCD with a rated residual current of 30 mA or less is always recommended.**
8. Before use, check the supply and extension cord for signs of damage or ageing.
9. If the cord becomes damaged during use, disconnect the cord from the supply immediately. **Do not touch the cord before disconnecting the supply.**

10. Do not use the tool if the cords are damaged or worn.
11. Keep extension cord away from cutting elements.

Starting up the tool



1. Make sure that there are no children or other people within a working range of 15 meters (50 ft), also pay attention to any animals in the working vicinity. Otherwise stop using the tool.
2. Before use always check that the tool is safe for operation. Check the security of the cutting tool and the guard and the switch trigger/lever for easy and proper action. Check for clean and dry handles and test the on/off function of the switch.
3. Check damaged parts before further use of the tool. A guard or other part that is damaged should be carefully checked to determine that it will operate properly and perform its intended function. Check for alignment of moving parts, binding of moving parts, breakage of parts, mounting, and any other condition that may affect its operation. A guard or other part that is damaged should be properly repaired or replaced by our authorized service center unless indicated elsewhere in this manual.
4. Switch on the motor only when hands and feet are away from the cutting tool.
5. Before starting make sure that the cutting tool has no contact with hard objects such as branches, stones etc. as the cutting tool will revolve when starting.

Method of operation

1. Never operate the machine with damaged guards or without the guards in place.
2. Only use the tool in good light and visibility. During the winter season beware of slippery or wet areas, ice and snow (risk of slipping). Always ensure a safe footing.
3. Take care against injury to feet and hands from the cutting tool.
4. Keep hands and feet away from the cutting means at all times and especially when switching on the motor.
5. Never cut above waist height.
6. Never stand on a ladder and run the tool.
7. Never work on unstable surfaces.
8. Do not overreach. Keep the balance at all times. Always be sure of the footing on slopes. Always walk and never run.
9. Remove sand, stones, nails etc. found within the working range. Foreign particles may damage the cutting tool and can cause to be thrown away, resulting in a serious injury.
10. Should the cutting tool hit stones or other hard objects, immediately switch off the motor and inspect the cutting tool.

11. Before commencing cutting, the cutting tool must have reached full working speed.
12. During operation always hold the tool with both hands. Never hold the tool with one hand during use. Always ensure a safe footing.
13. All protective equipment such as guards supplied with the tool must be used during operation.
14. Except in case of emergency, never drop or cast the tool to the ground or this may severely damage the tool.
15. Never drag the tool on the ground when moving from place to place, the tool may become damaged if moved in this manner.
16. Always withdraw the mains plug:
 - whenever leaving the tool unattended;
 - before clearing a blockage;
 - before checking, cleaning or working on the tool;
 - before making any adjustments, changing accessories or storing;
 - whenever the tool starts vibrating unusually;
 - whenever transporting the tool.
17. Don't force the tool. It will do the job better and with less likelihood of a risk of injury at the rate for which it was designed.

Maintenance instructions

1. The condition of the cutting tool, protective devices and shoulder strap must be checked before commencing work.
2. Turn off the motor and withdraw the mains plug before carrying out maintenance, replacing the cutting tool and cleaning the tool.
3. After use, withdraw the mains plug and check for damage.
4. Check for loose fasteners and damaged parts such as nearly halfway cut-off state in the cutting tool.
5. When not in use store the equipment in a dry location that is locked up or out of children's reach.
6. Use only the manufacturer's recommended replacement parts and accessories.
7. Always ensure that ventilation openings are kept clear of debris.
8. Inspect and maintain the tool regularly, especially before/after use. Have the tool repaired only by our authorized service center.
9. Keep handles dry, clean and free from oil and grease.
10. Never use water to cleaning the unit.

SAVE THESE INSTRUCTIONS.

⚠ WARNING:

DO NOT let comfort or familiarity with product (gained from repeated use) replace strict adherence to safety rules for the subject product. MISUSE or failure to follow the safety rules stated in this instruction manual may cause serious personal injury.

PARTS DESCRIPTION (Fig. 1)

FUNCTIONAL DESCRIPTION

WARNING:

- **Always be sure that the tool is switched off and unplugged before adjusting or checking the functions on the tool.** Failure to switch off and unplug may result in serious personal injury from accidental start-up.

Power switch action (Fig. 2)

WARNING:

- **Before plugging in, always check to see that the switch trigger actuates properly and returns to the “OFF” position when released. Do not pull the switch trigger hard without sliding the lock-off lever. This can cause switch breakage.** Operating a tool with a switch that does not actuate properly can lead to loss of control and serious personal injury.

To prevent the switch trigger from being accidentally pulled, a lock-off lever is provided.

To start the tool, slide the lock-off lever forward and then pull the switch trigger. Release the switch trigger to stop.

Nylon cutting head (Fig. 3)

NOTICE:

- Do not attempt to bump feed the head while the tool is operating at a high RPM. Bump feeding at a high RPM may cause damage to the nylon cutting head.
- The bump feed will not operate properly if the head is not rotating.

The nylon cutting head is a dual grass trimmer head provided with a bump & feed mechanism.

To feed out the nylon cord, bump the cutting head against the ground while the cutting head is rotating.

NOTE:

- If the nylon cord does not feed out while bumping the head, rewind/replace the nylon cord by following the procedures described under “Maintenance.”

Cable holder (Fig. 4)

Make a small loop of power cable, and hang it onto the cable holder.

ASSEMBLY

WARNING:

- **Always be sure that the tool is switched off and unplugged before carrying out any work on the tool.** Failure to switch off and unplug may result in serious personal injury from accidental start-up.
- **Never start the tool unless it is completely assembled.** Operation of the tool in a partially assembled state may result in serious personal injury from accidental start-up.

Installing the handle (Fig. 5)

WARNING:

- Do not remove or shrink the spacer. The spacer keeps a certain distance between both hands. Setting the grip/barrier assembly close to the other grip beyond the length of the spacer may cause loss of control and serious personal injury.

Fit the handle and the barrier onto the rubber part on the shaft pipe. Adjust the location of the handle, and then tighten them with four bolts.

Installing the protector (Fig. 6)

WARNING:

- **Never use the tool without the protector illustrated in place.** Failure to do so can cause serious personal injury.

CAUTION:

- Take care not to injure yourself on the cutter for cutting the nylon cord.

1. Fit the protector onto the shaft.
2. Align the hole of the protector along the slit of the metal part on the shaft.
3. Tighten them with the bolt.

Installing nylon cutting head (Fig. 7)

NOTICE:

- Be sure to use genuine nylon cutting head.

NOTE:

- Remove the cover on the cord cutter before use.

Turn the tool upside down so that you can replace the nylon cutting head easily.

1. Fit the cup onto the axis.
2. Put the nylon cords through the eyelets to come out of the cup.
3. Fit the spool on the axis.
4. Press the spool into the cup.
5. Hold the cup and the spool, and then tighten them with the lock screw by turning it clockwise.

To remove the nylon cutting head, turn the lock screw counterclockwise while holding the cup.

OPERATION

Correct handling of tool

Correct posture (Fig. 8)

WARNING:

- **Always position the tool on your right-hand side so that the barrier is always in front of your body.** Correct positioning of the tool allows for maximum control and will reduce the risk of serious personal injury.

CAUTION:

- **If during operation the nylon cutting head accidentally impacts a rock or hard object, stop the tool and inspect for any damage. If the nylon cutting head is damaged, replace it immediately.** Use of a damaged nylon cutting head could result in serious personal injury.

Put the shoulder harness on your left shoulder by putting your head and right arm through it and keep the tool on your right side while always keeping the barrier in front of your body.

Attachment of shoulder harness (Fig. 9)

Adjust the harness length so that the cutting tool is kept parallel with the ground.

Connect the hanger and the harness.

WARNING:

- **Be extremely careful to maintain control of the tool at all times. Do not allow the tool to be deflected toward you or anyone in the work vicinity.** Failure to keep control of the tool could result in serious injury to the bystander and the operator.

Adjustment of the hanger position and shoulder harness (Fig. 10)

To change the hanger position, loosen the bolt on the hanger. Then move the hanger.

After adjusting the hanger position, tighten the bolt with.

MAINTENANCE

WARNING:

- **Always be sure that the tool is switched off and unplugged before attempting to perform inspection or maintenance on the tool.** Failure to switch off and unplug may result in serious personal injury from accidental start-up.

NOTICE:

- Never use gasoline, benzene, thinner, alcohol or the like. Discoloration, deformation or cracks may result.

Replacing the nylon cord (Fig. 11)

WARNING:

- **Make sure that the nylon cutting head is secured to the tool properly before operation.** Failure to properly secure the nylon cutting head may cause it to fly apart resulting in serious personal injury.

1. Remove the lock screw by turning it counterclockwise.
2. Remove the spool and the cup. And remove the old nylon cord from the spool.
3. Cut a nylon cord in 3 – 6 m. Fold the cutting cord in two halves, leave one of half longer 80 – 100 mm than another. **(Fig. 12)**
4. Hook the middle of the new nylon cord to the notch located at the center of the spool between the two channels provided for the nylon cord. **(Fig. 13)**
5. Wind both ends firmly along the channels in the direction indicated by arrow mark on the spool.
6. Install the nylon cutting head as described in this instruction manual. **(Fig. 14)**

To maintain product SAFETY and RELIABILITY, repairs, any other maintenance or adjustment should be performed by Makita Authorized Service Centers, always using Makita replacement parts.

MAINTENANCE INTERVAL

Parts:	Interval:	How to:
Power cord	Every time before use	Visually inspect whether it is not badly worn or damaged. If it is damaged, ask your local service center for repair.
Auxiliary handle screw	Every time before use	Check whether screw is not loose. Tighten the screw if it is loose. Replace the screw if it is damaged.
Cutting tool guard (protector)	Every time before use	Check whether screw is not loose, whether protector is not damaged. Tighten the screw if it is loose. Replace the protector if it is damaged.
Nylon cutting head	Every 10 h	Visually inspect whether it is not badly worn or damaged. If it is damaged, replace it.

TROUBLESHOOTING

Before asking for repairs, conduct your own inspection first. If you find a problem that is not explained in the manual, do not attempt to dismantle the tool. Instead, ask Makita Authorized Service Centers, always using Makita replacement parts for repairs.

Malfunction status	Cause	Action
Motor does not run.	Power mains is not plugged in.	Plug in the mains.
	Power cable broken.	Ask your local authorized service center for repair.
	The drive system does not work correctly.	
Motor stops running after a little use.	Overheating.	Stop using of tool to allow it to cool down.
It does not reach maximum RPM.	The drive system does not work correctly.	Ask your local authorized service center for repair.
Cutting tool does not rotate: stop the machine immediately!	Foreign object such as a branch is jammed between the guard and the nylon cutting head.	Remove the foreign object.
	The drive system does not work correctly.	Ask your local authorized service center for repair.
Abnormal vibration: stop the machine immediately!	One end of the nylon cord has been broken.	Bump the nylon cutting head against the ground while it is rotating to cause the cord to feed.
	The drive system does not work correctly.	Ask your local authorized service center for repair.
Cutting tool and motor cannot stop: Disconnect the mains immediately!	Electric or electronic malfunction.	Disconnect the mains and ask your local authorized service center for repair.

OPTIONAL ACCESSORIES

CAUTION:

- These accessories or attachments are recommended for use with your Makita tool specified in this manual. The use of any other accessories or attachments might present a risk of injury to persons. Only use accessory or attachment for its stated purpose.

If you need any assistance for more details regarding these accessories, ask your local Makita Service Center.

- Nylon cutting head
- Nylon cord (cutting line)
- Shoulder harness

NOTE:

- Some items in the list may be included in the tool package as standard accessories. They may differ from country to country.

Descriptif

1 Support de câble	9 Défecteur de l'outil de coupe	17 Œillets
2 Cordon d'alimentation (la forme peut varier d'un pays à l'autre)	10 Outil de coupe	18 Bobine
3 Poignée arrière	11 Harnais simple	19 Écrou de blocage
4 Bouton de sécurité	12 Zone de coupe la plus efficace	20 Coupe-fil
5 Gâchette	13 Poignée	21 Cache de protection
6 Poignée avant	14 Partie recouverte de caoutchouc	22 Anneau de suspension
7 Anneau de suspension	15 Défecteur	23 80 – 100 mm
8 Protection	16 Coupelle	

SPÉCIFICATIONS

Modèle	UR3500	UR3501
Type de poignée	Poignée circulaire	
Longueur totale	1 550 mm	
Poids net	4,3 kg	
Puissance en régime continu	700 W	1 000 W
Vitesse à vide	6 500 min ⁻¹	6 500 min ⁻¹
Outil de coupe adapté	Tête de coupe à fil nylon	
Largeur de coupe	350 mm	
Catégorie de sécurité	⊠/II	

- Étant donné l'évolution constante de notre programme de recherche et développement, les spécifications contenues dans ce manuel sont modifiables sans préavis.
- Les spécifications peuvent varier suivant les pays.
- Poids selon la procédure EPTA 01/2003

Niveau sonore	Niveau de pression acoustique moyen		Niveau de puissance acoustique moyen		Norme applicable	
	Modèle	L _{PA} (dB (A))	Incertitude K (dB (A))	L _{WA} (dB (A))		Incertitude K (dB (A))
	UR3500	81,6	2,5	93,75	1,46	EN 50636-2-91: 2014
	UR3501	79,8	2,5	93,4	1,61	

- Portez des protecteurs d'oreilles.

Vibrations	Poignée avant		Poignée arrière		Norme ou directive applicable	
	Modèle	a _h (m/s ²)	Incertitude K (m/s ²)	a _h (m/s ²)		Incertitude K (m/s ²)
	UR3500	2,272	1,5	2,222	1,5	EN 50636-2-91: 2014
	UR3501	2,268	1,5	2,248	1,5	

- La valeur d'émission de vibration déclarée a été mesurée conformément à la méthode d'essai normalisée et peut être utilisée pour comparer différents outils.
- La valeur d'émission de vibration déclarée peut aussi être utilisée pour réaliser une évaluation préliminaire de l'exposition.

⚠ AVERTISSEMENT :

- L'émission de vibration pendant l'utilisation réelle de l'outil électrique peut différer de la valeur d'émission déclarée en fonction de la façon dont l'outil est utilisé.
- Assurez-vous que les mesures de sécurité visant à protéger l'opérateur sont basées sur une estimation de l'exposition dans les conditions normales d'utilisation, en tenant compte de toutes les phases du cycle de fonctionnement, y compris les périodes d'arrêt et de fonctionnement à vide.

Symboles

Les symboles suivants vous signalent des informations importantes relatives à l'équipement. Assurez-vous que vous comprenez leur signification avant utilisation.



- Soyez vigilant.



- Lisez le manuel d'instruction.



- Danger, risque de projection d'objets.



- Distance minimum entre l'outil et les personnes présentes : 15 m.



- Éloignez les personnes présentes.



- Restez à une distance de 15 m minimum.



- Portez un casque, des lunettes de sécurité et des protecteurs d'oreilles.



- Portez des gants de protection.



- Portez des chaussures solides à semelles antidérapantes. Le port de chaussures de sécurité à embout en acier est recommandé.



- N'exposez pas l'outil à l'humidité.



- Débranchez la prise de l'alimentation si le cordon est endommagé ou emmêlé.



- N'utilisez pas de lame.



- DOUBLE ISOLATION



- Pour l'UE uniquement
Ne jetez pas les équipements électriques dans les ordures ménagères !
Conformément à la directive européenne relative aux déchets d'équipements électriques et électroniques (DEEE) et à sa transposition dans la législation nationale, les équipements électriques qui ont atteint la fin de leur durée de service doivent être collectés à part et être soumis à un recyclage respectueux de l'environnement.

Pour l'Europe uniquement

Déclaration de conformité CE

Makita déclare que la (les) machine(s) Makita suivante(s) :

Désignation de la machine :

Coupe-Herbe Electrique

N° de modèle/type : UR3500, UR3501

Spécifications : se référer au tableau « SPÉCIFICATIONS ».

est (sont) conforme(s) aux directives européennes suivantes :

2000/14/CE, 2006/42/CE, 2004/108/CE

et est (sont) fabriquée(s) conformément aux normes ou aux documents normalisés suivants :

EN 60335-1, EN 50636-2-91, EN 62233,

EN 55014-1, EN 55014-2, EN 61000-3-2,

EN 61000-3-3

La documentation technique conforme à la norme 2006/42/CE est disponible auprès de :

Makita, Jan-Baptist Vinkstraat 2, 3070, Belgique

La procédure d'évaluation de la conformité requise par la Directive 2000/14/CE a été réalisée en conformité avec l'annexe VI.

Organisme notifié :

Société Nationale de Certification et d'Homologation

11, rue de Luxembourg L-5230 Sandweiler

Numéro d'identification 0499

Modèle UR3500

Niveau de puissance acoustique mesuré : 93,75 dB (A)

Niveau de puissance acoustique garanti : 96 dB (A)

Modèle UR3501

Niveau de puissance acoustique mesuré : 93,4 dB (A)

Niveau de puissance acoustique garanti : 96 dB (A)

30.1.2015

Yasushi Fukaya

Directeur

Makita, Jan-Baptist Vinkstraat 2, 3070, Belgique

IMPORTANTES CONSIGNES DE SÉCURITÉ

⚠ AVERTISSEMENT! Veuillez lire toutes les consignes de sécurité et instructions. Le non-respect des mises en garde et des instructions peut entraîner un choc électrique, un incendie et/ou des blessures graves.

Conservez toutes les mises en garde et instructions pour consultation ultérieure.

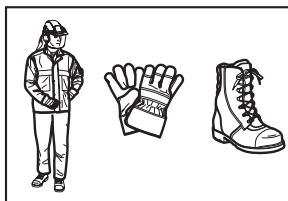
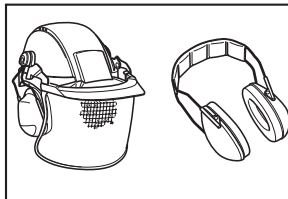
1. Cet appareil peut être utilisé par des enfants de 8 ans et plus, ainsi que par des personnes présentant des capacités physiques, sensorielles ou mentales réduites, ou par des personnes dénuées d'expérience et de connaissances si elles ont pu faire l'objet d'une surveillance ou recevoir des instructions préalables concernant l'utilisation en toute sécurité de l'appareil et si elles comprennent les risques associés.
2. Ne laissez pas les enfants jouer avec l'appareil.
3. Familiarisez-vous avec les commandes et l'utilisation correcte de l'équipement.
4. Avertissement. Les éléments de coupe continuent de tourner une fois l'alimentation du moteur coupée.
5. Ne laissez jamais des enfants ou des personnes non familiarisées avec les présentes instructions utiliser l'outil.
6. N'utilisez jamais l'outil à proximité de personnes, en particulier d'enfants, ou d'animaux domestiques.
7. Utilisez l'outil uniquement à la lumière du jour ou sous un bon éclairage artificiel.
8. Avant d'utiliser l'outil et après tout choc, vérifiez s'il présente des signes d'usure ou de détérioration, et réparez-le si nécessaire.
9. Veillez à ne pas vous blesser avec le coupe-fil (mise à la bonne longueur du fil de coupe). Après allongement du fil de coupe, remettez toujours l'outil en position de fonctionnement normal avant de le mettre en marche.
10. Ne remplacez jamais l'outil de coupe non métallique par un outil de coupe métallique.
11. Cet outil n'est pas destiné à être utilisé par des personnes (notamment des enfants) présentant des capacités physiques, sensorielles ou mentales réduites, ou par des personnes dénuées d'expérience et de connaissances, sauf si elles ont pu faire l'objet d'une surveillance ou recevoir des instructions préalables concernant l'utilisation de l'outil de la part des personnes responsables de leur sécurité. Les enfants doivent être surveillés pour s'assurer qu'ils ne jouent pas avec l'appareil.
12. Utilisez toujours l'outil avec prudence.
13. N'utilisez l'outil que si vous êtes en bonne condition physique. Faites très attention à tout ce que vous faites. Faites appel à votre bon sens, et souvenez-vous que l'opérateur ou l'utilisateur est responsable des accidents et dommages causés à des tiers ou à leurs biens.
14. N'utilisez jamais l'outil lorsque vous êtes fatigué, malade, ou sous l'influence d'alcool ou de médicaments.
15. Arrêtez l'outil immédiatement si celui-ci présente des signes de fonctionnement anormal.

16. Débranchez l'outil de l'alimentation électrique lorsque vous ne l'utilisez pas, et avant toute vérification, tout nettoyage ou toute intervention sur l'outil.
17. Utilisez toujours des pièces de rechange ou des accessoires fournis ou recommandés par le fabricant.

Utilisation prévue de l'outil

1. Utilisez le bon outil. Le coupe-herbe électronique est prévu uniquement pour couper l'herbe et les mauvaises herbes. Il ne doit pas être utilisé à d'autres fins, par exemple le taillage de haie, sous peine de blessure.

Équipement de protection personnelle



1. Habillez-vous de façon appropriée. Portez des vêtements fonctionnels et adaptés, c'est-à-dire ajustés, mais n'entravant pas vos mouvements. Ne portez pas de bijoux ou de vêtements risquant de s'accrocher dans les herbes hautes. Portez un couvre-chef protecteur pour retenir les cheveux longs.
2. Lorsque vous utilisez l'outil, portez toujours des chaussures solides à semelles antidérapantes. Elles offrent une protection contre les blessures et assurent un bon appui.
3. Portez des lunettes de sécurité.

Sécurité électrique

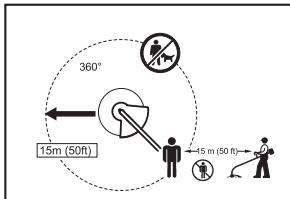
1. Évitez les environnements dangereux. N'utilisez pas l'outil dans des endroits mouillés ou humides, ne l'exposez pas à la pluie. La pénétration d'eau dans l'outil augmente les risques de choc électrique.
2. Le type de fiche de l'outil électrique doit correspondre à celui de la prise de courant. Ne modifiez jamais la fiche, de quelque façon que ce soit. N'utilisez pas de fiche d'adaptation avec les outils électriques mis à la terre (masse). L'utilisation de fiches non modifiées et de prises du type correspondant réduit les risques de choc électrique.
3. Évitez tout contact avec les surfaces mises à la terre ou à la masse, telles que tuyaux, radiateurs, cuisinières et réfrigérateurs. Les risques de choc électrique augmentent si votre corps se trouve mis à la terre ou à la masse.

4. **Ne maltraitez pas le cordon. Ne transportez jamais l'outil électrique par le cordon, et ne tirez pas sur le cordon pour déplacer l'outil ou débrancher la fiche. Tenez le cordon à l'écart des sources de chaleur, de l'huile, des objets tranchants et des pièces en mouvement. Les cordons endommagés ou emmêlés augmentent les risques de choc électrique.**
5. **Lorsque vous utilisez un outil électrique à l'extérieur, utilisez une rallonge conçue pour l'extérieur. L'utilisation d'une rallonge conçue pour l'extérieur réduit les risques de choc électrique.**
6. **Si l'utilisation d'un outil électrique dans un emplacement humide est inévitable, utilisez une source d'alimentation protégée par un disjoncteur différentiel. L'utilisation d'un disjoncteur différentiel réduit les risques de choc électrique.**
7. **Nous vous recommandons d'utiliser une alimentation protégée par un disjoncteur différentiel dont le courant de déclenchement est inférieur ou égal à 30 mA.**
8. Avant toute utilisation, inspectez le cordon d'alimentation et la rallonge pour vérifier qu'ils ne présentent aucun signe de détérioration ou de vieillissement.
9. Si le cordon d'alimentation est endommagé en cours d'utilisation, débranchez-le immédiatement de l'alimentation. **Ne touchez pas le cordon avant de l'avoir débranché de l'alimentation.**
10. N'utilisez pas l'outil si les cordons sont endommagés ou usés.
11. Tenez la rallonge à l'écart des éléments de coupe.
3. Avant utilisation de l'outil, vérifiez si celui-ci présente des pièces endommagées. Un déflecteur ou toute autre pièce endommagée doivent être inspectés avec précaution afin de déterminer s'ils peuvent fonctionner correctement et remplir leur rôle. Assurez-vous que les pièces mobiles ne sont pas désalignées ou bloquées, qu'aucune pièce et aucun support ne sont cassés et que l'outil n'a subi aucun dommage affectant son bon fonctionnement. Un déflecteur ou toute autre pièce endommagée doivent être réparés correctement ou remplacés par un centre technique agréé, sauf indication contraire dans le présent manuel.
4. Tenez vos mains et vos pieds à l'écart de l'outil de coupe lorsque vous mettez le moteur en marche.
5. Avant le démarrage, assurez-vous que l'outil de coupe n'est pas en contact avec des objets durs (branches, pierres, etc.). En effet, celui-ci se met à tourner au démarrage.

Fonctionnement

1. N'utilisez jamais l'outil avec des déflecteurs endommagés ou sans déflecteur.
2. Utilisez l'outil uniquement dans des endroits bien éclairés, où la visibilité est bonne. Pendant l'hiver, faites attention aux zones glissantes ou humides, au verglas et à la neige (risque de chute). Conservez toujours un bon appui au sol.
3. Veillez à ne pas vous blesser aux mains et aux pieds avec l'outil de coupe.
4. Tenez toujours vos mains et vos pieds à l'écart de l'outil de coupe, et plus particulièrement lorsque vous mettez le moteur en marche.
5. Ne coupez jamais d'herbe au-dessus de la taille.
6. N'utilisez jamais l'outil sur une échelle.
7. Ne travaillez jamais sur des surfaces instables.
8. Ne vous penchez pas trop en avant. Gardez votre équilibre en permanence. Assurez bien vos pas dans les pentes. Marchez, ne courez jamais.
9. Enlevez le sable, les pierres, les clous, etc. se trouvant dans la zone d'action. Les corps étrangers risquent d'endommager l'outil de coupe et d'être projetés, provoquant de graves blessures.
10. Si l'outil de coupe heurte des pierres ou d'autres objets durs, arrêtez immédiatement le moteur et inspectez l'outil de coupe.
11. Attendez que l'outil de coupe atteigne sa vitesse de travail avant de commencer à couper l'herbe.
12. Tenez toujours l'outil à deux mains lorsque vous l'utilisez. Ne tenez jamais l'outil avec une seule main lorsque vous l'utilisez. Conservez toujours un bon appui au sol.
13. Utilisez tous les équipements de protection (déflecteur par exemple) fournis avec l'outil lorsque vous utilisez celui-ci.
14. Sauf en cas d'urgence, ne laissez jamais tomber et ne jetez jamais l'outil par terre, sous peine d'endommager gravement celui-ci.
15. Ne traînez pas l'outil sur le sol lorsque vous le déplacez, sous peine d'endommager l'outil.

Démarrage de l'outil



1. **Assurez-vous que personne (et a fortiori aucun enfant) ne se trouve dans une zone d'action de 15 mètres (50 pi) autour de l'appareil. Faites aussi attention aux animaux. Sinon, arrêtez d'utiliser l'outil.**
2. Avant le démarrage, vérifiez toujours que l'outil est en bon état de marche. Vérifiez l'état de l'outil de coupe et du déflecteur ainsi que le bon fonctionnement de la gâchette et du bouton de sécurité. Assurez-vous que les poignées sont propres et sèches et vérifiez la fonction marche/arrêt de la gâchette.

16. **Débranchez toujours la prise de l'alimentation :**
 - lorsque vous laissez l'outil sans surveillance ;
 - avant d'éliminer un blocage ;
 - avant toute vérification, nettoyage ou intervention sur l'outil ;
 - avant d'effectuer tout réglage, de changer les accessoires ou de ranger l'outil ;
 - en cas de vibration anormale de l'outil ;
 - lorsque vous transportez l'outil.
17. **Ne forcez pas l'outil. Son efficacité sera meilleure et les risques de blessure moins élevés à la vitesse pour laquelle il a été conçu.**

Instructions d'entretien

1. Vérifiez l'état de l'outil de coupe, des dispositifs de protection et du harnais avant de commencer à travailler.
2. Arrêtez le moteur et débranchez la prise de l'alimentation avant d'effectuer tout entretien, de remplacer l'outil de coupe et de nettoyer l'outil.
3. Après utilisation, débranchez la prise de l'alimentation et assurez-vous de l'absence de détérioration.
4. Vérifiez que les fixations sont bien serrées et que les pièces ne sont pas endommagées ; vérifiez par exemple que l'outil de coupe n'est pas pratiquement à moitié coupé.
5. Lorsque vous ne l'utilisez pas, entreposez l'outil dans un endroit sec et hors de portée des enfants.
6. Utilisez toujours des pièces de rechange ou des accessoires recommandés par le fabricant.
7. Assurez-vous toujours que les orifices de ventilation sont exempts de débris.
8. Inspectez et entretenez l'outil régulièrement, et particulièrement avant/après utilisation. Faites faire les réparations uniquement par un centre technique agréé.
9. Les poignées doivent être sèches, et ne doivent pas présenter de traces d'huile ou de graisse.
10. N'utilisez jamais d'eau pour nettoyer l'appareil.

CONSERVEZ CES INSTRUCTIONS.

AVERTISSEMENT :

NE vous laissez **PAS** tromper (au fil d'une utilisation répétée) par un sentiment d'aisance et de familiarité avec le produit, en négligeant le respect rigoureux des consignes de sécurité qui accompagnent le produit en question. La **MAUVAISE UTILISATION** de l'outil ou le non-respect des consignes de sécurité indiquées dans ce manuel d'instructions peuvent entraîner une blessure grave.

DESCRIPTION (Fig. 1)

DESCRIPTION DU FONCTIONNEMENT

AVERTISSEMENT :

- **Assurez-vous toujours que l'outil est hors tension et débranché avant de l'ajuster ou de vérifier son fonctionnement.** Si vous ne mettez pas l'outil hors tension et si vous ne le débranchez pas, son démarrage accidentel peut entraîner une blessure grave.

Interrupteur (Fig. 2)

AVERTISSEMENT :

- **Avant de brancher l'outil, vérifiez toujours que la gâchette fonctionne correctement et qu'elle revient en position d'arrêt (OFF) une fois relâchée. Ne tirez pas sur la gâchette en forçant si vous n'avez pas actionné le bouton de sécurité. Vous risquez de casser l'interrupteur.** L'utilisation d'un outil dont l'interrupteur ne fonctionne pas correctement peut entraîner la perte de maîtrise de l'outil et des blessures graves.

Le bouton de sécurité permet d'éviter de tirer accidentellement sur la gâchette.

Pour démarrer l'outil, faites glisser le bouton de sécurité vers l'avant puis tirez sur la gâchette. Pour arrêter l'outil, libérez la gâchette.

Tête de coupe à fil nylon (Fig. 3)

REMARQUE :

- N'essayez pas d'utiliser le système d'avance par choc lorsque l'outil fonctionne à régime élevé. L'utilisation du système d'avance par choc à régime élevé risque d'endommager la tête de coupe à fil nylon.
- Le système d'avance par choc ne fonctionne pas correctement si la tête n'est pas en rotation.

La tête de coupe à fil nylon est une tête de désherbage double équipée d'un système d'avance par choc.

Pour faire avancer le fil nylon, frappez la tête de coupe sur le sol, la tête étant en rotation.

NOTE :

- Si le fil nylon n'avance pas lorsque vous frappez la tête sur le sol, rembobinez/remplacez le fil nylon en suivant les procédures décrites dans « Entretien ».

Support de câble (Fig. 4)

Faites une petite boucle sur le câble d'alimentation, et accrochez-la sur le support de câble.

MONTAGE

AVERTISSEMENT :

- **Avant d'effectuer toute intervention sur l'outil, assurez-vous toujours qu'il est hors tension et débranché.** Si vous ne mettez pas l'outil hors tension et si vous ne le débranchez pas, son démarrage accidentel peut entraîner une blessure grave.
- **Ne démarrez jamais l'outil s'il n'est pas entièrement monté.** L'utilisation de l'outil partiellement monté peut entraîner une grave blessure suite à un démarrage accidentel.

Pose de la poignée (Fig. 5)

⚠ AVERTISSEMENT :

- N'enlevez pas l'entretoise, ne la raccourcissez pas. L'entretoise maintient une certaine distance entre les deux mains. Une distance de montage inférieure à la longueur de l'entretoise entre l'ensemble poignée/protection et l'autre poignée peut entraîner la perte de maîtrise de l'outil et des blessures graves.

Placez la poignée et la protection sur la partie recouverte de caoutchouc de l'arbre. Réglez l'emplacement de la poignée, et fixez l'ensemble en place avec quatre boulons.

Pose du déflecteur (Fig. 6)

⚠ AVERTISSEMENT :

- **N'utilisez jamais l'outil sans le déflecteur en place (voir l'illustration).** Le non-respect de cette consigne peut entraîner des blessures graves.

⚠ ATTENTION :

- Veillez à ne pas vous blesser avec le coupe-fil du fil nylon.
1. Placez le déflecteur sur l'arbre.
 2. Alinez le trou du déflecteur avec la fente de la partie métallique de l'arbre.
 3. Assemblez-les avec le boulon.

Pose de la tête de coupe à fil nylon (Fig. 7)

REMARQUE :

- Veillez à utiliser une authentique tête de coupe à fil nylon.

NOTE :

- Enlevez le cache de protection du coupe-fil avant utilisation.

Retournez l'outil afin de remplacer la tête de coupe à fil nylon facilement.

1. Placez la coupelle sur l'axe.
2. Faites sortir les fils nylon par les œilletons de la coupelle.
3. Placez la bobine sur l'axe.
4. Appuyez sur la bobine pour la faire rentrer dans la coupelle.
5. Maintenez la coupelle et la bobine, puis bloquez-les en tournant l'écrou de blocage dans le sens des aiguilles d'une montre.

Pour démonter la tête de coupe à fil nylon, tournez l'écrou de blocage dans le sens inverse des aiguilles d'une montre en maintenant la coupelle.

UTILISATION

Manipulation correcte de l'outil

Position correcte (Fig. 8)

⚠ AVERTISSEMENT :

- **Placez toujours l'outil à votre droite afin que la protection se trouve toujours devant vous.** Le bon positionnement de l'outil permet un contrôle maximal et réduit le risque de blessure grave.

⚠ ATTENTION :

- **Si la tête de coupe à fil nylon heurte accidentellement une pierre ou un autre objet dur en cours d'utilisation, arrêtez immédiatement l'outil et assurez-vous qu'il n'est pas endommagé. Si la tête de coupe à fil nylon est endommagée, remplacez-la immédiatement.** L'utilisation d'une tête de coupe à fil nylon endommagée peut entraîner une blessure grave.

Placez le harnais sur votre épaule gauche en passant votre tête et votre bras droit à l'intérieur. Maintenez l'outil à votre droite afin que la protection se trouve toujours devant vous.

Fixation du harnais (Fig. 9)

Ajustez la longueur du harnais afin que l'outil de coupe soit toujours parallèle au sol.

Fixez le harnais sur l'anneau de suspension.

⚠ AVERTISSEMENT :

- **Veillez à garder le contrôle de l'outil en permanence. Ne laissez pas l'outil dévier vers vous ou vers toute personne à proximité de la zone de travail.** La perte de contrôle de l'outil présente des risques de blessure grave pour l'opérateur et les personnes à proximité.

Réglage de la position de l'anneau de suspension et du harnais (Fig. 10)

Pour modifier la position de l'anneau de suspension, desserrez le boulon se trouvant sur celui-ci. Déplacez ensuite l'anneau de suspension.

Réglez la position de l'anneau de suspension, puis resserrez le boulon.

ENTRETIEN

⚠ AVERTISSEMENT :

- **Assurez-vous toujours que l'outil est hors tension et débranché avant d'effectuer tous travaux d'inspection ou d'entretien sur celui-ci.** Si vous ne mettez pas l'outil hors tension et si vous ne le débranchez pas, son démarrage accidentel peut entraîner une blessure grave.

REMARQUE :

- N'utilisez jamais d'essence, benzine, diluant, alcool ou autre produit similaire. Cela risquerait de provoquer la décoloration, la déformation ou la fissuration de l'outil.

Remplacement du fil nylon (Fig. 11)

AVERTISSEMENT :

- **Assurez-vous que la tête de coupe à fil nylon est correctement maintenue en place avant utilisation.**

Une tête de coupe à fil nylon mal fixée risque d'être éjectée et de provoquer des blessures graves.

1. Retirez l'écrou de blocage en le tournant dans le sens inverse des aiguilles d'une montre.
2. Enlevez la bobine et la coupelle. Enlevez ensuite le vieux fil de la bobine.
3. Coupez un morceau de fil nylon de longueur 3 – 6 m. Pliez le fil de coupe en deux parties inégales, l'une étant plus longue que l'autre de 80 – 100 mm. **(Fig. 12)**
4. Accrochez la boucle du nouveau fil nylon sur l'encoche située au centre de la bobine, entre les deux gorges destinées au fil nylon. **(Fig. 13)**
5. Enroulez en serrant les fils dans les gorges selon la direction indiquée par la flèche sur la bobine.
6. Installez la tête de coupe à fil nylon comme indiqué dans le présent manuel. **(Fig. 14)**

Pour maintenir la SÉCURITÉ et la FIABILITÉ du produit, les réparations, travaux d'entretien et autres réglages doivent être effectués dans un centre de service Makita agréé, exclusivement avec des pièces de rechange Makita.

INTERVALLE D'ENTRETIEN

Pièces :	Périodicité :	Opération :
Cordon d'alimentation	Avant chaque utilisation	Vérifiez visuellement l'état de la pièce (usure ou détérioration importantes). Si elle est endommagée, demandez à votre centre technique de réaliser les réparations.
Vis de la poignée auxiliaire	Avant chaque utilisation	Vérifiez si la vis est bien serrée. Serrez la vis si elle est desserrée. Remplacez la vis si elle est endommagée.
Défecteur de l'outil de coupe	Avant chaque utilisation	Vérifiez si la vis est bien serrée et si le déflecteur est en bon état. Serrez la vis si elle est desserrée. Remplacez le déflecteur s'il est endommagé.
Tête de coupe à fil nylon	Toutes les 10 heures	Vérifiez visuellement l'état de la pièce (usure ou détérioration importantes). Remplacez-la si elle est endommagée.

DÉPANNAGE

Avant de faire faire une réparation, effectuez votre propre inspection. Si vous rencontrez un problème non décrit dans le présent manuel, n'essayez pas de démonter l'outil. Confiez-le à un centre technique agréé Makita, qui utilise toujours des pièces de rechange Makita pour les réparations.

Dysfonctionnement	Cause	Remède
Le moteur ne tourne pas.	La prise n'est pas branchée sur l'alimentation électrique.	Branchez la prise sur l'alimentation électrique.
	Le câble d'alimentation est cassé.	Demandez à un centre technique agréé de réaliser les réparations.
	Le système d'entraînement ne fonctionne pas correctement.	
Le moteur arrête de tourner après une courte utilisation.	Surchauffe.	Arrêtez d'utiliser l'outil et laissez-le refroidir.
Impossible d'atteindre le plein régime.	Le système d'entraînement ne fonctionne pas correctement.	Demandez à un centre technique agréé de réaliser les réparations.
L'outil de coupe ne tourne pas : arrêtez immédiatement la machine !	Un corps étranger (par exemple une branche) est coincé entre le déflecteur et la tête de coupe à fil nylon.	Enlevez le corps étranger.
	Le système d'entraînement ne fonctionne pas correctement.	Demandez à un centre technique agréé de réaliser les réparations.
Vibrations anormales : arrêtez immédiatement la machine !	Une des extrémités du fil nylon s'est cassée.	Pour faire avancer le fil nylon, frappez la tête de coupe sur le sol, la tête étant en rotation.
	Le système d'entraînement ne fonctionne pas correctement.	Demandez à un centre technique agréé de réaliser les réparations.
L'outil de coupe et le moteur ne s'arrêtent pas : débranchez immédiatement l'outil de l'alimentation électrique !	Dysfonctionnement électrique ou électronique.	Débranchez immédiatement l'outil de l'alimentation électrique et demandez à un centre technique agréé de réaliser les réparations.

ACCESSOIRES EN OPTION

ATTENTION :

- Ces accessoires ou pièces sont recommandés pour l'utilisation avec l'outil Makita spécifié dans ce mode d'emploi. L'utilisation de tout autre accessoire ou pièce peut comporter un risque de blessure. N'utilisez les accessoires ou pièces qu'aux fins auxquelles ils ont été conçus.

Si vous désirez obtenir plus de détails concernant ces accessoires, veuillez contacter le centre de service Makita le plus proche.

- Tête de coupe à fil nylon
- Fil nylon (fil de coupe)
- Harnais simple

REMARQUE :

- Il se peut que certains éléments de la liste soient fournis avec l'outil en tant qu'accessoires standard. Ils peuvent varier d'un pays à l'autre.

Erläuterung der Gesamtansicht

1 Kabelhalter	9 Schneidwerkschutz (Schutzhaube)	17 Ösen
2 Netzkabel (die Form kann je nach Land unterschiedlich sein)	10 Schneidwerkzeug	18 Spule
3 Hinterer Handgriff	11 Schultergurt	19 Sicherungsschraube
4 Einschaltsperrhebel	12 Effektivster Schnittbereich	20 Fadenschneider
5 Elektronikschalter	13 Handgriff	21 Abdeckung
6 Vorderer Handgriff	14 Gummiteil	22 Aufhänger
7 Aufhänger (Aufhängepunkt)	15 Schutzhaube	23 80 – 100 mm
8 Sperre	16 Becher	

TECHNISCHE DATEN

Modell	UR3500	UR3501
Handgrifftyp	Ringgriff	
Gesamtlänge	1 550 mm	
Nettogewicht	4,3 kg	
Dauer-Nennleistung	700 W	1 000 W
Leerlaufdrehzahl	6 500 min ⁻¹	6 500 min ⁻¹
Verwendbares Schneidwerkzeug	Nylonfadenkopf	
Schnittbreite	350 mm	
Schutzart	□ / II	

- Aufgrund unseres Dauerprogramms der Forschung und Entwicklung unterliegen die hier angegebenen technischen Daten Änderung ohne Vorankündigung.
- Die technischen Daten können von Land zu Land unterschiedlich sein.
- Gewicht nach EPTA-Verfahren 01/2003

Geräusch	Durchschnittlicher Schalldruckpegel		Durchschnittlicher Schalleistungspegel		Zutreffender Standard
	Modell	L _{PA} (dB (A))	Unsicherheit K (dB (A))	L _{WA} (dB (A))	
UR3500	81,6	2,5	93,75	1,46	EN 50636-2-91: 2014
UR3501	79,8	2,5	93,4	1,61	

- Einen Gehörschutz tragen.

Vibration	Vorderer Griff		Hinterer Griff		Zutreffender Standard oder Richtlinie
	Modell	a _h (m/s ²)	Unsicherheit K (m/s ²)	a _h (m/s ²)	
UR3500	2,272	1,5	2,222	1,5	EN 50636-2-91: 2014
UR3501	2,268	1,5	2,248	1,5	

- Der angegebene Vibrationsemissionswert wurde im Einklang mit der Standardprüfmethode gemessen und kann für den Vergleich zwischen Geräten herangezogen werden.
- Der angegebene Vibrationsemissionswert kann auch für eine Vorbewertung des Gefährdungsgrads verwendet werden.

⚠️ WARNUNG:

- Die Vibrationsemission während der tatsächlichen Benutzung des Elektrowerkzeugs kann je nach der Benutzungsweise des Gerätes vom angegebenen Emissionswert abweichen.
- Identifizieren Sie Sicherheitsmaßnahmen zum Schutz des Benutzers anhand einer Schätzung des Gefährdungsgrads unter den tatsächlichen Benutzungsbedingungen (unter Berücksichtigung aller Phasen des Arbeitszyklus, wie z. B. Ausschalt- und Leerlaufzeiten des Gerätes zusätzlich zur Betriebszeit).

Symbole

Nachfolgend werden die für das Gerät verwendeten Symbole beschrieben. Machen Sie sich vor der Benutzung mit ihrer Bedeutung vertraut.



- Besondere Umsicht und Aufmerksamkeit erforderlich.



- Gebrauchsanleitung lesen.



- Gefahr durch herausgeschleuderte Objekte.



- Der Abstand zwischen dem Gerät und Umstehenden sollte mindestens 15 m betragen.



- Umstehende fernhalten.



- Mindestens 15 m Abstand halten.



- Helm, Schutzbrille und Gehörschutz tragen.



- Schutzhandschuhe tragen.



- Festes Schuhwerk mit rutschfesten Sohlen tragen. Sicherheitsschuhe mit Stahl-Zehenkappen werden empfohlen.



- Keiner Feuchtigkeit aussetzen.



- Den Netzstecker abziehen, falls das Netzkabel beschädigt oder verheddert wird.



- Kein Messer verwenden.



- DOPPELTE ISOLIERUNG



- Nur für EU-Länder
Werfen Sie Elektrogeräte nicht in den Hausmüll!
Unter Einhaltung der Europäischen Richtlinie über Elektro- und Elektronik-Altgeräte und ihrer Umsetzung gemäß den Landesgesetzen müssen Elektrogeräte, die das Ende ihrer Lebensdauer erreicht haben, getrennt gesammelt und einer umweltgerechten Recycling-Einrichtung zugeführt werden.

Nur für europäische Länder

EG-Konformitätserklärung

Makita erklärt, dass die folgende(n) Maschine(n):

Bezeichnung der Maschine:

Elektro-Trimmer

Modell-Nr./Typ: UR3500, UR3501

Technische Daten: Siehe Tabelle „TECHNISCHE DATEN“.

den folgenden europäischen Richtlinien entsprechen:

2000/14/EG, 2006/42/EG, 2004/108/EG

Sie werden gemäß den folgenden Standards oder standardisierten Dokumenten hergestellt:

EN 60335-1, EN 50636-2-91, EN 62233,

EN 55014-1, EN 55014-2, EN 61000-3-2,

EN 61000-3-3

Die technische Akte in Übereinstimmung mit 2006/42/EG ist erhältlich von:

Makita, Jan-Baptist Vinkstraat 2, 3070, Belgien

Das von der Richtlinie 2000/14/EG geforderte Konformitätsbewertungsverfahren war in Übereinstimmung mit Anhang VI.

Gemeldete Stelle:

Société Nationale de Certification et d'Homologation

11, rue de Luxembourg L-5230 Sandweiler

Identifikationsnummer 0499

Modell UR3500

Gemessener Schalleistungspegel: 93,75 dB (A)

Garantierter Schalleistungspegel: 96 dB (A)

Modell UR3501

Gemessener Schalleistungspegel: 93,4 dB (A)

Garantierter Schalleistungspegel: 96 dB (A)

30.1.2015

Yasushi Fukaya

Yasushi Fukaya
Geschäftsführer

Makita, Jan-Baptist Vinkstraat 2, 3070, Belgien

WICHTIGE SICHERHEITSVORSCHRIFTEN

⚠️ WARNUNG! Lesen Sie alle Sicherheitswarnungen und Anweisungen durch. Eine Missachtung der unten aufgeführten Warnungen und Anweisungen kann zu einem elektrischen Schlag, Brand und/oder schweren Verletzungen führen.

Bewahren Sie alle Warnungen und Anweisungen für spätere Bezugnahme auf.

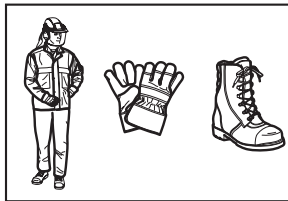
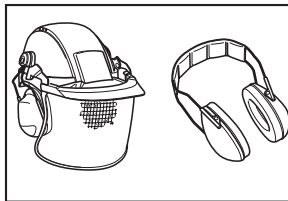
1. Dieses Gerät kann von Kindern ab 8 Jahren und Personen mit verminderten körperlichen, sensorischen oder geistigen Fähigkeiten oder Mangel an Erfahrung und Kenntnissen benutzt werden, sofern sie eine Beaufsichtigung oder Anweisung bezüglich des sicheren Gebrauchs des Gerätes erhalten haben und die damit verbundenen Gefahren verstehen.
2. Kinder dürfen nicht mit dem Gerät spielen.
3. Machen Sie sich mit den Bedienelementen und dem korrekten Gebrauch der Ausrüstung vertraut.
4. **Warnung.** Die Schneidelemente drehen sich nach dem Ausschalten des Motors noch weiter.
5. Kinder oder Personen, die nicht mit der Anleitung vertraut sind, dürfen das Gerät keinesfalls benutzen.
6. Brechen Sie die Benutzung des Gerätes ab, während sich Personen, besonders Kinder, oder Haustiere in der Nähe aufhalten.
7. Benutzen Sie das Gerät nur bei Tageslicht oder hellem Kunstlicht.
8. Überprüfen Sie das Gerät vor der Benutzung und nach einem etwaigen Aufprall auf Anzeichen von Verschleiß oder Beschädigung, und führen Sie gegebenenfalls Reparaturen durch.
9. Hüten Sie sich vor Verletzungen durch Vorrichtungen, die zum Abschneiden der Fadenlänge angebracht wurden. Nachdem Sie den neuen Schneidfaden ausgezogen haben, bringen Sie das Gerät stets wieder in seine normale Betriebsposition, bevor Sie es einschalten.
10. Die nicht metallischen Schneidelemente dürfen auf keinen Fall durch metallische Schneidelemente ersetzt werden.
11. Dieses Gerät ist nicht für den Gebrauch durch Personen (einschließlich Kindern) mit verminderten körperlichen, sensorischen oder geistigen Fähigkeiten oder mangelnder Erfahrung und Kenntnis vorgesehen, es sei denn, sie haben eine Betreuung oder Unterweisung im Gebrauch des Gerätes von einer Person erhalten, die für ihre Sicherheit verantwortlich ist. Kinder sollten beaufsichtigt werden, um sicherzugehen, dass sie nicht mit dem Gerät spielen.
12. Benutzen Sie das Gerät mit äußerster Sorgfalt und Aufmerksamkeit.
13. **Betreiben Sie das Gerät nur, wenn Sie sich in guter körperlicher Verfassung befinden. Führen Sie alle Arbeiten ruhig und sorgfältig durch. Lassen Sie gesunden Menschenverstand walten, und denken Sie daran, dass der Bediener oder Benutzer verantwortlich für Verletzungen oder Sachschäden ist, die an Personen oder ihrem Eigentum entstehen.**

14. **Betreiben Sie das Gerät niemals, wenn Sie müde sind, sich unwohl fühlen oder unter dem Einfluss von Alkohol oder Drogen stehen.**
15. **Das Gerät ist unverzüglich auszuschalten, falls es Anzeichen von ungewöhnlichem Betrieb zeigt.**
16. **Trennen Sie das Gerät vom Stromnetz, bevor Sie es überprüfen, reinigen oder Arbeiten daran ausführen, und wenn es nicht benutzt wird.**
17. **Verwenden Sie keinesfalls Ersatz- oder Zubehörteile, die nicht vom Hersteller bereitgestellt oder empfohlen werden.**

Verwendungszweck des Gerätes

1. **Benutzen Sie das Gerät sachgerecht. Der elektronische Rasentrimmer ist ausschließlich zum Schneiden von Gras und leichtem Unkraut vorgesehen. Er sollte nicht für andere Zwecke, wie z. B. Heckenschneiden, verwendet werden, weil dadurch Verletzungen verursacht werden können.**

Persönliche Schutzausrüstung



1. **Zweckmäßige Kleidung tragen. Die Kleidung soll zweckmäßig und angemessen, d.h. eng anliegend, aber nicht hinderlich sein. Tragen Sie keine Schmuckgegenstände oder Kleidung, die sich an hohem Gras verfangen können. Tragen Sie eine schützende Kopfbedeckung, um langes Haar zu raffen.**
2. **Tragen Sie bei der Benutzung des Gerätes festes Schuhwerk mit rutschfester Sohle. Dies schützt vor Verletzungen und gewährleistet guten Stand.**
3. **Sicherheits- oder Schutzbrille tragen.**

Elektrische Sicherheit

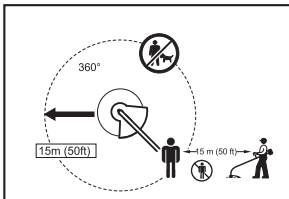
1. **Vermeiden Sie gefährliche Umgebungen. Benutzen Sie das Gerät nicht an feuchten oder nassen Orten, und setzen Sie es auch keinem Regen aus. Wasser, das in das Gerät eindringt, erhöht die Stromschlaggefahr.**

2. Der Stecker des Elektrowerkzeugs muss an die Steckdose angepasst sein. Der Stecker darf auf keinen Fall in irgendeiner Form abgeändert werden. Verwenden Sie keine Adapterstecker mit geerdeten Elektrowerkzeugen. Vorschriftenmäßige Stecker und passende Steckdosen reduzieren die Stromschlaggefahr.
3. Vermeiden Sie Körperkontakt mit geerdeten Gegenständen (z. B. Rohre, Kühler, Herde, Kühlschränke). Es besteht erhöhte Stromschlaggefahr, falls Ihr Körper Erdkontakt hat.
4. Das Kabel sorgfältig behandeln. Benutzen Sie das Kabel niemals zum Tragen, Ziehen oder Abtrennen des Elektrowerkzeugs. Halten Sie das Kabel von Hitze, Öl, scharfen Kanten oder beweglichen Teilen fern. Ein beschädigtes oder verheddertes Kabel erhöht die Stromschlaggefahr.
5. Wenn Sie ein Elektrowerkzeug im Freien betreiben, verwenden Sie ein für Freiluftbenutzung geeignetes Verlängerungskabel. Die Verwendung eines für Freiluftbenutzung geeigneten Kabels reduziert die Stromschlaggefahr.
6. Lässt sich der Einsatz eines Elektrowerkzeugs in feuchter Umgebung nicht vermeiden, verwenden Sie eine Stromversorgung, die mit einem Fehlerstrom-Schutzschalter (RCD) geschützt ist. Der RCD verringert die Gefahr eines elektrischen Schlags.
7. Die Verwendung einer Stromversorgung über einen RCD mit einem Nennreststrom von maximal 30 mA ist stets zu empfehlen.
8. Überprüfen Sie das Netzkabel und Verlängerungskabel vor der Benutzung auf Anzeichen von Beschädigung oder Alterung.
9. Falls das Kabel während der Benutzung beschädigt wird, trennen Sie das Kabel sofort vom Stromnetz. **Berühren Sie das Kabel nicht vor dem Abtrennen der Stromquelle.**
10. Benutzen Sie das Gerät nicht, wenn die Kabel beschädigt oder verschlissen sind.
11. Halten Sie das Verlängerungskabel von Schneidelementen fern.

Betriebsmethode

1. Betreiben Sie das Gerät niemals mit beschädigten oder fehlenden Schutzvorrichtungen.
2. Benutzen Sie das Gerät nur bei guten Licht- und Sichtverhältnissen. Achten Sie während der kalten Jahreszeit auf schlüpfrige oder nasse Bereiche, Eis und Schnee (Rutschgefahr). Achten Sie stets auf sicheren Stand.
3. Hüten Sie sich vor Fuß- und Handverletzungen durch das Schneidwerkzeug.
4. Halten Sie Hände und Füße stets von den Schneidelementen fern, besonders beim Einschalten des Motors.
5. Schneiden Sie niemals über der Hüfthöhe.
6. Betreiben Sie das Gerät niemals auf einer Leiter stehend.
7. Arbeiten Sie niemals auf instabilen Flächen.
8. Übernehmen Sie sich nicht. Achten Sie stets auf gute Balance. Achten Sie an Hängen immer auf einen sicheren Stand. Immer gehen, niemals laufen.
9. Entfernen Sie Sand, Steine, Nägel usw. vom Arbeitsbereich. Fremdkörper können das Schneidwerkzeug beschädigen und herausgeschleudert werden, was zu schweren Verletzungen führen kann.
10. Falls das Schneidwerkzeug auf Steine oder andere harte Objekte trifft, schalten Sie sofort den Motor ab, und inspizieren Sie das Schneidwerkzeug.
11. Stellen Sie vor Beginn des Schneidbetriebs sicher, dass das Schneidwerkzeug die volle Betriebsdrehzahl erreicht hat.
12. Halten Sie das Gerät während des Betriebs immer mit beiden Händen. Halten Sie das Gerät während der Benutzung niemals nur mit einer Hand. Achten Sie stets auf sicheren Stand.
13. Alle mit dem Gerät gelieferten Schutzvorrichtungen und Schutzhauben müssen während des Betriebs benutzt werden.
14. Unterlassen Sie Fallenlassen oder Hinwerfen des Gerätes, außer in Notfällen, weil das Gerät dadurch schwer beschädigt werden kann.
15. Ziehen Sie das Gerät niemals über den Boden, wenn Sie es von einem Ort zum anderen transportieren, weil es dadurch beschädigt werden kann.

Starten des Gerätes



1. Vergewissern Sie sich, dass sich keine Kinder oder andere Personen innerhalb eines Arbeitsradius von 15 m aufhalten, und achten Sie auch auf Tiere im Arbeitsbereich. Brechen Sie anderenfalls die Benutzung des Gerätes ab.
2. Prüfen Sie vor der Benutzung immer, ob das Gerät betriebssicher ist. Überprüfen Sie die Sicherheit des Schneidwerkzeugs und der Schutzhaube, und prüfen Sie den Elektronikschalter/Hebel auf Leichtgängigkeit und einwandfreie Funktion. Vergewissern Sie sich, dass die Handgriffe sauber und trocken sind, und überprüfen Sie die Ein/Aus-Funktion des Schalters.

16. Ziehen Sie stets den Netzstecker ab:
 - wann immer Sie das Gerät unbeaufsichtigt lassen;
 - bevor Sie eine Blockierung beseitigen;
 - bevor Sie das Gerät überprüfen, reinigen oder daran arbeiten;
 - bevor Sie Einstellungen vornehmen, Zubehörteile wechseln oder das Gerät lagern;
 - wann immer das Gerät ungewöhnlich zu vibrieren beginnt;
 - wann immer Sie das Gerät transportieren.
17. Üben Sie keinen Druck auf das Gerät aus. Bei der Belastung, für die es ausgelegt wurde, verrichtet es die Arbeit besser und mit geringerer Wahrscheinlichkeit von Verletzungsgefahr.

Wartungsvorschriften

1. Der Zustand des Schneidwerkzeugs, der Schutzvorrichtungen und des Schulterriemens muss vor Beginn der Arbeit überprüft werden.
2. Stellen Sie den Motor ab, und ziehen Sie den Netzstecker ab, bevor Sie Wartungsarbeiten ausführen, das Schneidwerkzeug auswechseln und das Gerät reinigen.
3. Ziehen Sie den Netzstecker nach Gebrauch ab, und überprüfen Sie ihn auf Beschädigung.
4. Überprüfen Sie das Gerät auf lose Befestigungselemente und beschädigte Teile, wie z. B. einen unvollständig abgeschnittenen Faden des Schneidwerkzeugs.
5. Wenn das Gerät nicht benutzt wird, lagern Sie es an einem trockenen Ort, der abschließbar ist und außer Reichweite von Kindern liegt.
6. Verwenden Sie nur die vom Hersteller empfohlenen Ersatz- und Zubehörteile.
7. Achten Sie stets darauf, dass die Belüftungsöffnungen frei von Unrat sind.
8. Inspizieren und warten Sie das Gerät regelmäßig, besonders vor/nach dem Gebrauch. Lassen Sie das Gerät nur von einem autorisierten Service-Center reparieren.
9. Halten Sie die Handgriffe trocken, sauber und frei von Öl und Fett.
10. Reinigen Sie das Gerät niemals mit Wasser.

DIESE ANWEISUNGEN AUFBEWAHREN.

WARNUNG:

Lassen Sie sich NICHT durch Bequemlichkeit oder Vertrautheit mit dem Produkt (durch wiederholten Gebrauch erworben) von der strikten Einhaltung der Sicherheitsregeln für das vorliegende Produkt abhalten. MISSBRAUCH oder Missachtung der Sicherheitsvorschriften in dieser Anleitung können schwere Verletzungen verursachen.

BESCHREIBUNG DER TEILE (Abb. 1)

FUNKTIONSBESCHREIBUNG

WARNUNG:

- Vergewissern Sie sich vor jeder Einstellung oder Funktionsprüfung des Gerätes stets, dass es ausgeschaltet und vom Stromnetz getrennt ist. Wird das Gerät nicht ausgeschaltet und vom Stromnetz getrennt, kann es zu schweren Verletzungen durch versehentliches Anlaufen kommen.

Funktion des Netzschalters (Abb. 2)

WARNUNG:

- Vergewissern Sie sich vor dem Anschließen des Gerätes an das Stromnetz stets, dass der Elektronikschalter ordnungsgemäß funktioniert und beim Loslassen in die AUS-Stellung zurückkehrt. Betätigen Sie den Elektronikschalter nicht gewaltsam, ohne den Einschaltsperrhebel zu verschieben. Dies kann zu Beschädigung des Schalters führen. Der Betrieb eines Gerätes mit fehlerhaftem Schalter kann zum Verlust der Kontrolle und zu schweren Verletzungen führen.

Um versehentliche Betätigung des Elektronikschalters zu verhüten, ist das Gerät mit einem Einschaltsperrhebel ausgestattet.

Schieben Sie den Einschaltsperrhebel zum Starten des Gerätes nach vorn, und betätigen Sie dann den Elektronikschalter. Lassen Sie den Elektronikschalter zum Anhalten los.

Nylonfadenkopf (Abb. 3)

HINWEIS:

- Versuchen Sie nicht, den Kopf anzuklopfen, während das Gerät mit hoher Drehzahl läuft. Anklopfen bei hoher Drehzahl kann eine Beschädigung des Nylonfadenkopfes verursachen.
- Die Bump-Feed-Funktion arbeitet nicht richtig, wenn sich der Kopf nicht dreht.

Der Nylonfadenkopf ist ein doppelter Rasentrimmerkopf mit Bump-Feed-Mechanismus.

Um den Nylonfaden auszuführen, klopfen Sie den Schneidkopf gegen den Boden, während er sich dreht.

BEMERKUNG:

- Wird der Nylonfaden nicht durch Anklopfen des Kopfes ausgezogen, wickeln Sie den Nylonfaden auf bzw. ersetzen Sie ihn nach dem unter „Wartung“ beschriebenen Verfahren.

Kabelhalter (Abb. 4)

Machen Sie eine kleine Schlinge in das Netzkabel, und hängen Sie diese an den Kabelhalter.

MONTAGE

WARNUNG:

- **Vergewissern Sie sich vor der Ausführung von Arbeiten am Gerät stets, dass es ausgeschaltet und vom Stromnetz getrennt ist.** Wird das Gerät nicht ausgeschaltet und vom Stromnetz getrennt, kann es zu schweren Verletzungen durch versehentliches Anlaufen kommen.
- **Starten Sie das Gerät niemals, wenn es nicht vollständig zusammengebaut ist.** Der Betrieb des unvollständig zusammengebauten Gerätes kann zu schweren Verletzungen durch versehentliches Anlaufen führen.

Installieren des Handgriffs (Abb. 5)

WARNUNG:

- Der Abstandshalter darf nicht entfernt oder geschrumpft werden. Der Abstandshalter hält einen bestimmten Abstand zwischen beiden Händen ein. Wird die Griff/Sperren-Einheit nahe an den anderen Griff über die Länge des Abstandshalters hinaus gesetzt, kann es zu einem Verlust der Kontrolle und schweren Verletzungen kommen.

Bringen Sie den Handgriff und die Sperre am Gummitel des Stielrohrs an. Stellen Sie die Position des Handgriffs ein, und ziehen Sie dann die Teile mit vier Schrauben fest.

Installieren der Schutzhaube (Abb. 6)

WARNUNG:

- **Benutzen Sie das Gerät niemals ohne die abgebildete Schutzhaube.** Anderenfalls kann es zu schweren Verletzungen kommen.

VORSICHT:

- Achten Sie darauf, dass Sie sich nicht an dem Schneider des Nylonfadens verletzen.
1. Bringen Sie die Schutzhaube am Stiel an.
 2. Richten Sie das Loch der Schutzhaube auf den Schlitz im Metallteil des Stiels aus.
 3. Ziehen Sie die Teile mit der Schraube fest.

Installieren des Nylonfadenkopfes (Abb. 7)

BERMerkung:

- Verwenden Sie unbedingt den Original-Nylonfadenkopf.

HINWEIS:

- Entfernen Sie die Abdeckung am Fadenschneider vor Gebrauch.

Drehen Sie das Gerät um, damit Sie den Nylonfadenkopf leicht auswechseln können.

1. Schieben Sie den Becher auf die Achse.
2. Ziehen Sie die Nylonfäden durch die Ösen, so dass sie aus dem Becher herausragen.
3. Schieben Sie die Spule auf die Achse.
4. Drücken Sie die Spule in den Becher hinein.
5. Halten Sie Becher und Spule, und befestigen Sie dann die Teile durch Rechtsdrehen der Sicherungsschraube.

Zum Abnehmen des Nylonfadenkopfes drehen Sie die Sicherungsschraube entgegen dem Uhrzeigersinn, während Sie den Becher halten.

BETRIEB

Korrekte Handhabung des Gerätes

Korrekte Haltung (Abb. 8)

WARNUNG:

- **Halten Sie das Gerät immer auf Ihrer rechten Seite, so dass sich die Sperre immer vor Ihrem Körper befindet.** Korrekte Haltung des Gerätes gewährleistet maximale Kontrolle und verringert die Gefahr schwerer Verletzungen.

VORSICHT:

- **Falls der Nylonfadenkopf während des Betriebs versehentlich gegen einen Stein oder ein hartes Objekt stößt, halten Sie das Gerät an, und überprüfen Sie es auf Beschädigung.** Falls der Nylonfadenkopf beschädigt wird, ist er sofort auszuwechseln. Die Verwendung eines beschädigten Nylonfadenkopfes kann zu schweren Verletzungen führen.

Legen Sie den Schultergurt auf Ihre linke Schulter, indem Sie Ihren Kopf und den rechten Arm hindurch stecken, und halten Sie das Gerät auf Ihrer rechten Seite, während Sie die Sperre stets vor Ihrem Körper halten.

Anbringung des Schultergurts (Abb. 9)

Stellen Sie die Gurtlänge so ein, dass das Schneidwerkzeug parallel zum Boden gehalten wird. Schließen Sie den Gurt an den Aufhänger an.

WARNUNG:

- **Lassen Sie äußerste Sorgfalt walten, um immer die Kontrolle über das Gerät zu behalten. Achten Sie darauf, dass das Gerät nicht zu Ihnen oder einer anderen Person im Arbeitsbereich abgelenkt wird.** Verlust der Kontrolle über das Gerät kann zu schweren Verletzungen von Umstehenden und Bediener führen.

Einstellung der Aufhängerposition und des Schultergurts (Abb. 10)

Um die Aufhängerposition zu ändern, lösen Sie die Schraube am Aufhänger. Verschieben Sie dann den Aufhänger.

Nachdem Sie die Aufhängerposition eingestellt haben, ziehen Sie die Schraube fest.

WARTUNG

WARNUNG:

- **Denken Sie vor der Durchführung von Überprüfungen oder Wartungsarbeiten stets daran, das Gerät auszuschalten und vom Stromnetz zu trennen.** Wird das Gerät nicht ausgeschaltet und vom Stromnetz getrennt, kann es zu schweren Verletzungen durch versehentliches Anlaufen kommen.

BERMerkung:

- Verwenden Sie auf keinen Fall Benzin, Benzol, Verdünner, Alkohol oder dergleichen. Solche Mittel können Verfärbung, Verformung oder Rissbildung verursachen.

Auswechseln des Nylonfadens (Abb. 11)



WARNUNG:

- **Vergewissern Sie sich vor dem Betrieb, dass der Nylonfadenkopf einwandfrei am Gerät befestigt ist.**

Wird der Nylonfadenkopf nicht richtig gesichert, kann er auseinander fliegen, was schwere Verletzungen zur Folge haben kann.

1. Entfernen Sie die Sicherungsschraube durch Linksdrehen.
2. Nehmen Sie Spule und Becher ab. Entfernen Sie den alten Nylonfaden von der Spule.
3. Schneiden Sie einen Nylonfaden auf 3 – 6 m Länge ab. Falten Sie den Schneidfaden in zwei Hälften, wobei Sie eine Hälfte 80 – 100 mm länger als die andere lassen. **(Abb. 12)**
4. Haken Sie die Mitte des neuen Nylonfadens in die Kerbe in der Mitte der Spule zwischen den beiden für den Nylonfaden vorgesehenen Kanälen ein. **(Abb. 13)**
5. Wickeln Sie beide Enden in Richtung der Pfeilmarke entlang den Kanälen fest auf die Spule.
6. Installieren Sie den Nylonfadenkopf gemäß der Beschreibung in dieser Bedienungsanleitung. **(Abb. 14)**

Um die SICHERHEIT und ZUVERLÄSSIGKEIT dieses Produkts zu gewährleisten, sollten Reparaturen und andere Wartungs- oder Einstellarbeiten nur von autorisierten Makita-Kundendienstzentren unter ausschließlicher Verwendung von Makita-Originalersatzteilen ausgeführt werden.

WARTUNGSINTERVALL

Teile:	Intervall:	Prüfpunkte:
Netzkabel	Vor jedem Gebrauch	Unterziehen Sie das Teil einer Sichtprüfung auf übermäßigen Verschleiß oder Beschädigung. Wenden Sie sich bei Beschädigung bezüglich einer Reparatur an Ihr örtliches Service-Center.
Zusatzgriffschraube	Vor jedem Gebrauch	Prüfen Sie, ob die Schraube locker ist. Ziehen Sie die Schraube fest, falls sie locker ist. Ersetzen Sie die Schraube, falls sie beschädigt ist.
Schneidwerksschutz (Schutzhaube)	Vor jedem Gebrauch	Prüfen Sie die Schraube auf Lockerheit oder die Schutzhaube auf Beschädigung. Ziehen Sie die Schraube fest, falls sie locker ist. Ersetzen Sie die Schutzhaube, falls sie beschädigt ist.
Nylonfadenkopf	Alle 10 Betriebsstunden	Unterziehen Sie das Teil einer Sichtprüfung auf übermäßigen Verschleiß oder Beschädigung. Falls es beschädigt ist, ersetzen Sie es.

FEHLERSUCHE

Bevor Sie den Reparaturdienst anrufen, führen Sie zunächst Ihre eigene Inspektion durch. Falls Sie ein Problem finden, das nicht in der Anleitung erläutert wird, versuchen Sie nicht, das Gerät zu zerlegen. Wenden Sie sich statt dessen an eine autorisierte Makita-Kundendienststelle, und achten Sie darauf, dass stets Makita-Ersatzteile für Reparaturen verwendet werden.

Störungszustand	Ursache	Abhilfemaßnahme
Der Motor läuft nicht.	Der Netzstecker ist nicht eingesteckt.	Den Netzstecker einstecken.
	Das Netzkabel ist beschädigt.	Wenden Sie sich bezüglich einer Reparatur an Ihr autorisiertes Service-Center.
	Das Antriebssystem funktioniert nicht korrekt.	
Der Motor bleibt nach kurzer Zeit stehen.	Überhitzung.	Brechen Sie die Benutzung des Gerätes ab, um es abkühlen zu lassen.
Die Maximaldrehzahl wird nicht erreicht.	Das Antriebssystem funktioniert nicht korrekt.	Wenden Sie sich bezüglich einer Reparatur an Ihr autorisiertes Service-Center.
Das Schneidwerkzeug dreht sich nicht: Das Gerät unverzüglich stoppen!	Ein Fremdkörper, wie z. B. ein Ast, klemmt zwischen Schutzhaube und Nylonfadenkopf.	Den Fremdkörper entfernen.
	Das Antriebssystem funktioniert nicht korrekt.	Wenden Sie sich bezüglich einer Reparatur an Ihr autorisiertes Service-Center.
Ungewöhnliche Vibration: Das Gerät unverzüglich stoppen!	Ein Ende des Nylonfadens ist beschädigt.	Klopfen Sie den Nylonfadenkopf auf den Boden, während er sich dreht, um Ausziehen des Fadens zu bewirken.
	Das Antriebssystem funktioniert nicht korrekt.	Wenden Sie sich bezüglich einer Reparatur an Ihr autorisiertes Service-Center.
Schneidwerkzeug und Motor bleiben nicht stehen: Trennen Sie das Gerät sofort vom Stromnetz!	Funktionsstörung der Elektrik oder Elektronik.	Trennen Sie das Gerät vom Stromnetz, und wenden Sie sich bezüglich einer Reparatur an Ihr autorisiertes Service-Center.

SONDERZUBEHÖR

VORSICHT:

- Die folgenden Zubehörteile oder Vorrichtungen werden für den Einsatz mit dem in dieser Anleitung beschriebenen Makita-Gerät empfohlen. Die Verwendung anderer Zubehörteile oder Vorrichtungen kann eine Verletzungsgefahr darstellen. Verwenden Sie Zubehörteile oder Vorrichtungen nur für ihren vorgesehenen Zweck.

Wenn Sie weitere Einzelheiten bezüglich dieser Zubehörteile benötigen, wenden Sie sich bitte an Ihre Makita-Kundendienststelle.

- Nylonfadenkopf
- Nylonfaden (Schneidfaden)
- Schultergurt

HINWEIS:

- Manche Teile in der Liste können als Standardzubehör im Gerätesatz enthalten sein. Sie können von Land zu Land unterschiedlich sein.

Makita Jan-Baptist Vinkstraat 2, 3070, Belgium
Makita Corporation Anjo, Aichi, Japan

UR3500-30L-0815

www.makita.com

IDE