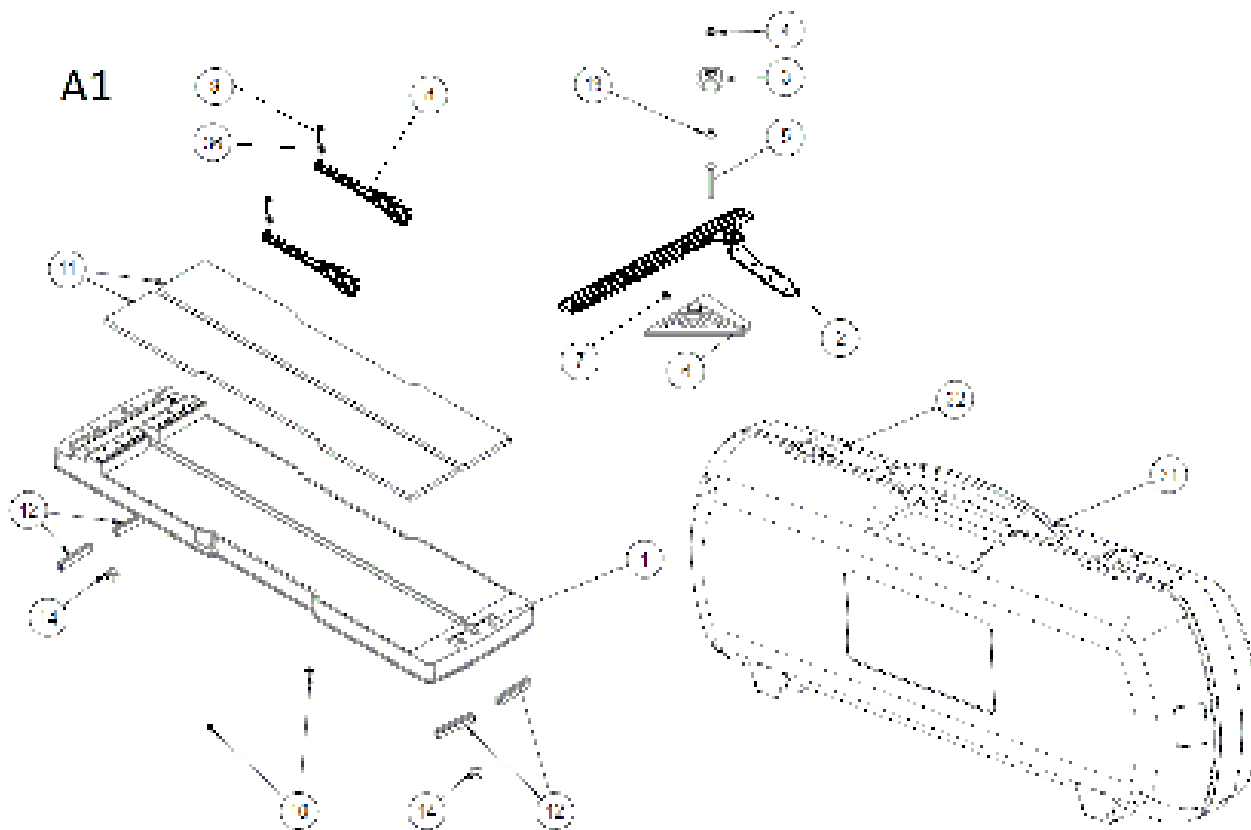


Part-list	ES	EN	Prod.	
1	A1 1	GRUPO BASE SPEED-62/72/92	BASE GROUP SPEED-62/72/92	14975, 76, 77, 85, 86, 87
2	A2 1	GRUPO BASE SPEED-42	BASE GROUP SPEED-42	14949
3	B 1	GRUPO GUIAS Y SOPORTES	GUIDE AND SUPPORT GROUP	
4	C 1	GRUPO PORTHERRAMIENTAS Y SEPARADOR	TOOLHOLDER AND BREAKER GROUP	

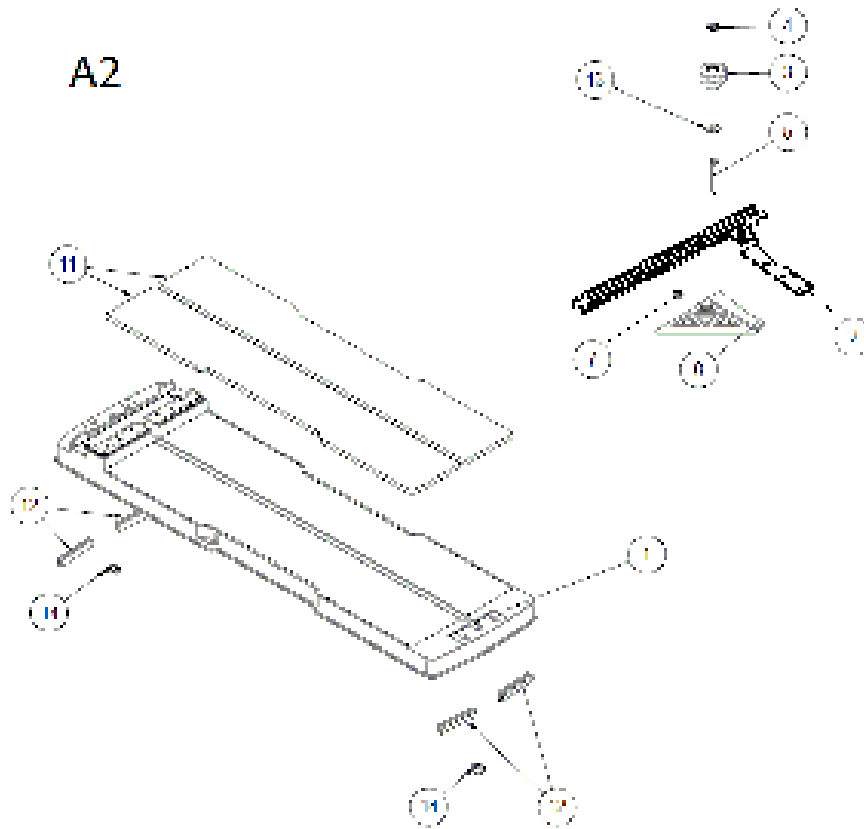
Prod.	ES	EN	From serial num.
14949	SPEED-42 N -CORTADOR MANUAL	SPEED-42 N	SN061601
14975	SPEED-62 N - CORT.MANUAL	SPEED-62 N	SN062563
14976	SPEED-72 N - CORT.MANUAL	SPEED-72 N	SN062209
14977	SPEED-92 N - CORT.MANUAL	SPEED-92 N	SN062365
14985	SPEED-62 N CON MALETA - CORT.MANUAL	SPEED-62 N WITH CASE	SN062803
14986	SPEED-72 N CON MALETA - CORT.MANUAL	SPEED-72 N WITH CASE	SN062875
14987	SPEED-92 N CON MALETA - CORT.MANUAL	SPEED-92 N WITH CASE	SN063019

Queda reservado el derecho de introducir cualquier modificación técnica sin previo aviso

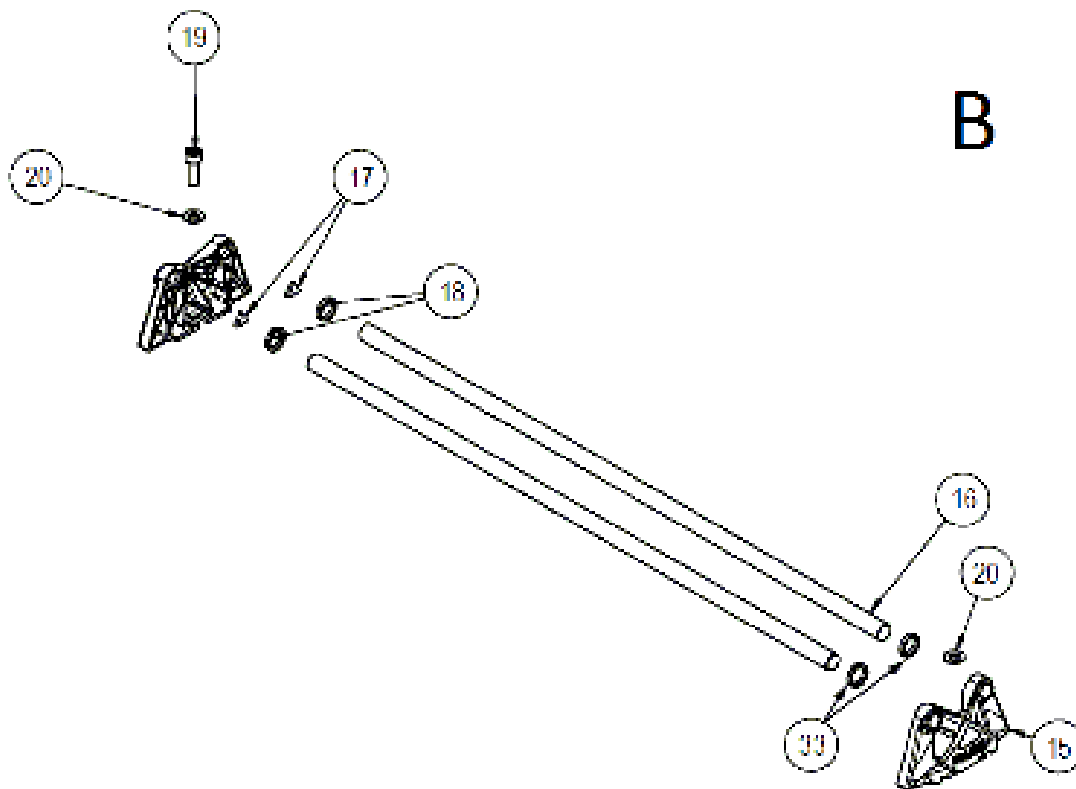
We reserve the right to introduce any technical modification without previous notice



Part-list	ES	EN	Prod.	
1	13434 1	BASE SPEED-72 ARENADA V2	SANDY BASE SPEED-72 V2	14976, 14986
1	13444 1	BASE SPEED-92 ARENADA V3	SANDY BASE SPEED-92 V3	14977, 14987
1	13438 1	BASE SPEED-62 ARENADA V3	SANDY BASE SPEED-62 V3	14975, 14985
2	13440 1	TOPE LATERAL SPEED V2	LATERAL STOP SPEED V2	
3	13255 1	POMO M6 ESTANDAR ROJO V2	RED STANDARD M6 KNOB V2	
4	57485 1	TAPON POMO M6 ROJO	RED COVER KNOB M6	
5	56370 1	TORN DIN 933 M6X50 ZN	SCREW DIN 933 M6X50 SS A2	
6	13436 1	SUPLEMENTO 45° V2	45° SUPPLEMENT V2	
7	15132 1	TUERCA DIN 934 M6 CL8 ZN	HEX NUT DIN 934 M6 CL8 ZP	
8	13171 2	PATA DE APOYO SPEED-62	SUPPORT ARM SPEED-62	14975, 14985
8	13443 2	PATA DE APOYO SPEED-72/92 V2 NEUTRO	LATERAL ARM SPEED-72/92 V2 WO/LOGO	14976, 14986
8	13443 2	PATA DE APOYO SPEED-72/92 V2 NEUTRO	LATERAL ARM SPEED-72/92 V2 WO/LOGO	14977, 14987
9	70311 2	TORN DIN 7985 M5X25 6.8 ZN	SCREW DIN 7985 M5X25 6.8 ZP	
10	40045 2	TUERCA DIN 985 M5 CL8 ZN AUTOBLOC	HEX LOCK NUT DIN 985 M5 CL8 ZP	
11	13318 2	GOMA MIXTA SPEED-72	MIXED RUBBER SPEED-72	14976, 14986
11	13165 2	GOMA MIXTA SPEED-62	MIXED RUBBER SPEED-62	14975, 14985
11	13416 2	CJ.GOMAS BASE SPEED-92	RUBBER SET SPEED-92	14977, 14987
12	13143 4	PIE DE GOMA BASE SPEED-62	BASE RUBBER SPEED-62/72/92	
13	45038 1	ARAND DIN 9021 A6,4 ZN	WASHER DIN 9021 A6,4 ZP	
14	50150 2	TUERCA DIN 934 M10 CL8 ZN	HEX NUT DIN 934 M10 CL8 ZP	
31	13827 1	CJ.MALETA SPEED 62	CASE SET SPEED 62	14985
31	13845 1	CJ.MALETA SPEED 92	CASE SET SPEED 92	14987
31	13844 1	CJ.MALETA SPEED 72	CASE SET SPEED 72	14986
32	15760 2	CIERRE MALETA 54X54 TS30/40, TM, TX, SPD	PLASTIC LATCH - 54X54 TS30/40, TM, TX,	14985, 14986
32	15761 2	CIERRE MALETA 89X54 TS50/60, TR, TM, TX	PLASTIC LATCH 89X54 (TS50/60, TR, TM, TX)	14987
36	56035 2	ARAND DIN 125 A5,3 ZN	WASHER DIN125 A5,3 ZP	

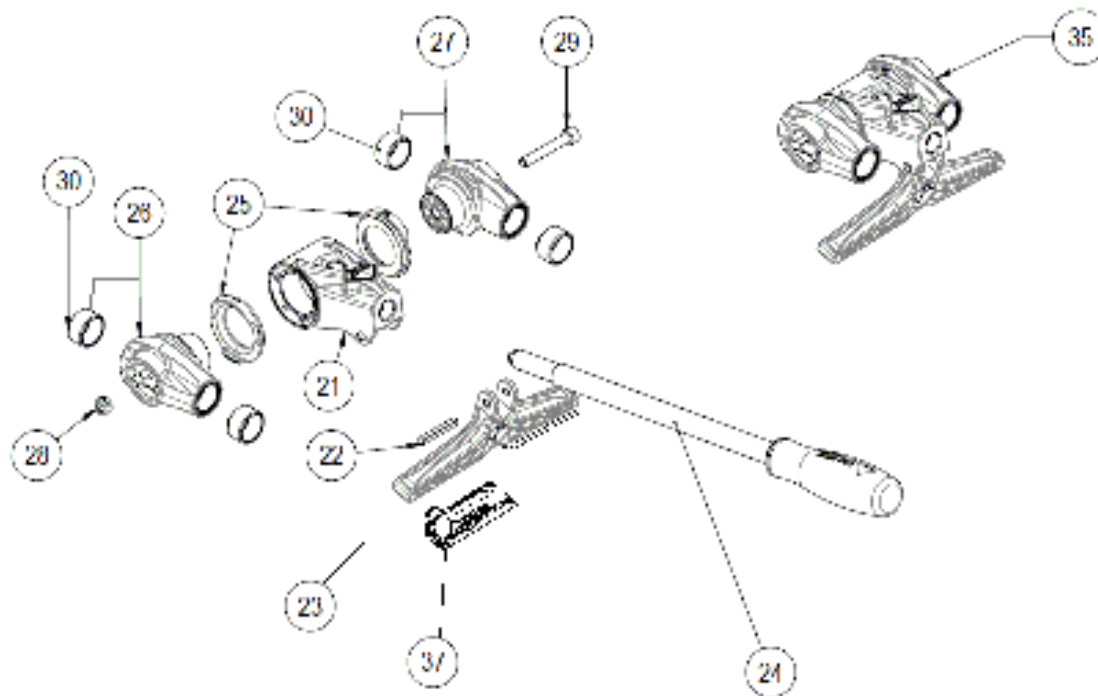


Part-list	ES	EN	Prod.
1	14213 1	BASE SPEED-42 ARENADA V2	SANDY BASE SPEED-42 V2
2	13440 1	TOPE LATERAL SPEED V2	LATERAL STOP SPEED V2
3	13255 1	POMO M6 ESTANDAR ROJO V2	RED STANDARD M6 KNOB V2
4	57485 1	TAPON POMO M6 ROJO	RED COVER KNOB M6
5	56370 1	TORN DIN 933 M6X50 ZN	SCREW DIN 933 M6X50 SS A2
6	13436 1	SUPLEMENTO 45° V2	45° SUPPLEMENT V2
7	15132 1	TUERCA DIN 934 M6 CL8 ZN	HEX NUT DIN 934 M6 CL8 ZP
11	14214 2	GOMA MIXTA SPEED-42 V2	MIXED RUBBER SPEED-42 V2
12	13231 4	GOMA BASE SPEED-42/62	BASE RUBBER SPEED-42
13	45038 1	ARAND DIN 9021 A6,4 ZN	WASHER DIN 9021 A6,4 ZP
14	50150 2	TUERCA DIN 934 M10 CL8 ZN	HEX NUT DIN 934 M10 CL8 ZP



Part-list	ES	EN	Prod.	
15	14077 2	SOPORTE GUIAS SPEED-62 N	GUIDE SUPPORT SPEED-62 N	
16	14078 2	GUIA Ø 18 L=727 CROMADA	CHROMED GUIDE Ø 18 L=727	14975, 14985
16	14024 2	GUIA Ø 18 L=827 CROMADA	CHROMED GUIDE Ø 18 L=827	14976, 14986
16	14025 2	GUIA Ø 18 L=1027 CROMADA	CHROMED GUIDE Ø 18 L=1027	14977, 14987
16	14207 2	GUIA Ø 18 L= 544,5 CROMADA	CHROMED GUIDE Ø 18 L= 544,5	14949
17	12693 2	TACO GOMA FAST	RUBBER STOPPER FAST	
18	13091 2	TOPE CORREDERA Ø18X22X4	CARRIER TOP 18X22X4	
19	13175 2	TORN DIN 912 M10X30 8.8 ZN	SCREW DIN 912 M10X30 8.8 ZP	
20	56017 2	ARAND DIN 125 A10,5 ZN	WASHER DIN 125 A10,5 ZP	
33	14445 2	TOPE CORREDERA Ø18X22X22	CARRIER TOP 18X22X22	14949

C



Part-list	ES	EN	Prod.
21	12624 1	PORTAHERRAM.STAR MAX	TOOLHOLDER STAR MAX
22	12628 1	PASADOR DIN 1473 5X32	BREAKER SHAFT DIN 1473 5X32
23	14629 1	PISADOR SPEED-62 N V2	SPEED-62 N BREAKING FEET V2
24	12845 1	COM.MANGO FAST-85	HANDLE SET FAST-85
25	14005 2	DISTANCIADOR SPEED N POM	SPEED N SPACER POM
26	14429 1	CJ.CORREDERA ENCASQ.SPEED-62 N IZQ.	LEFT SLIDER W/BUSHING SPEED-62 N
27	14431 1	CJ.CORREDERA ENCASQ.SPEED-62 N DER.	RIGHT SLIDER W/BUSHING SPEED-62 N
28	40020 1	TUERCA DIN 985 M6 CL8 ZN AUTOBLOC	HEX LOCK NUT DIN 985 M6 CL8 ZP
29	13092 1	TORN DIN 912 M6X40 6.8 ZN	SCREW DIN 912 M6X40 6.8 ZP
30	14083 4	CASQ 18X22X12 SINTER.	BUSHING 18X22X12
35	14824 1	CJ.PORTAHERRAM.SPEED-N	TOOLHOLDER SET SPEED-N
37	14280 2	PROTECTOR CERAMICA REF:14629-14628	TILE PROTECTOR SPEED-N/MAGNET