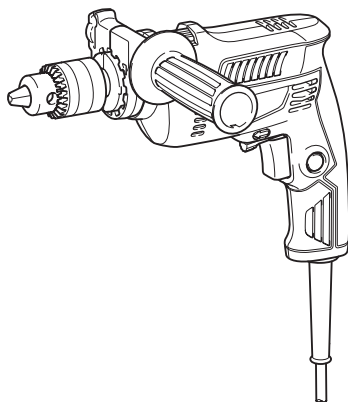




EN	Hammer Drill	INSTRUCTION MANUAL	3
RU	Ударная дрель	РУКОВОДСТВО ПО ЭКСПЛУАТАЦИИ	7
KK	Соқпалы бұрғы	ПАЙДАЛАНУ ЖӨНІНДЕГІ НҰСҚАУЛЫҚ	12

M0800
M0801



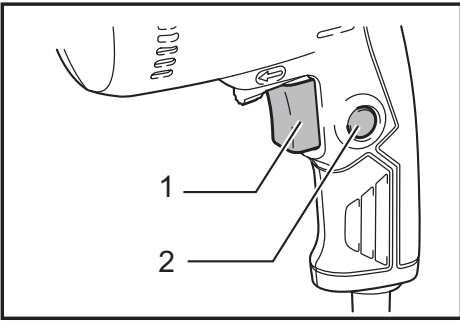


Fig.1

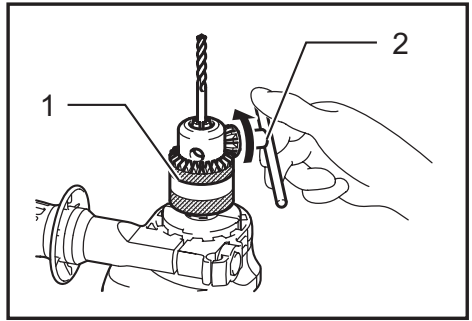


Fig.5

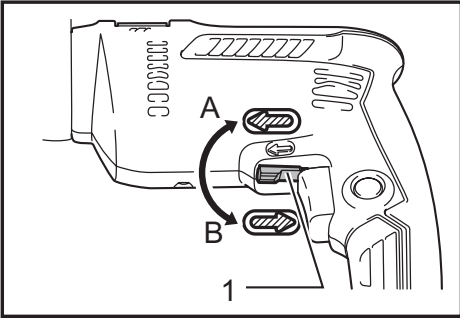


Fig.2

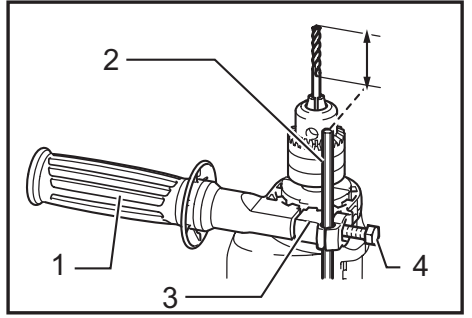


Fig.6

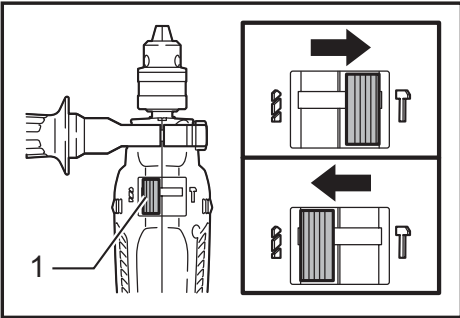


Fig.3

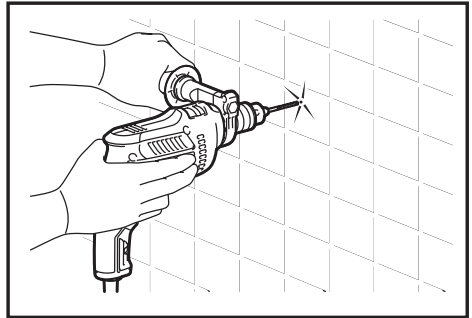


Fig.7

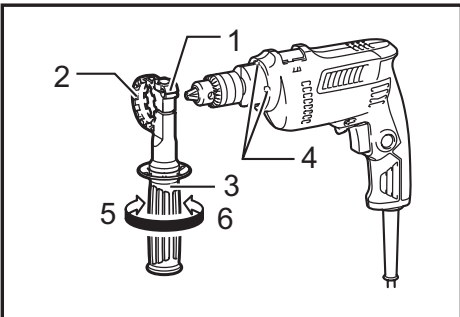


Fig.4

SPECIFICATIONS

Model		M0800	M0801
Capacities	Concrete	10 mm	16 mm
	Wood	20 mm	20 mm
	Steel	10 mm	13 mm
No load speed		0 - 3,200 min ⁻¹	0 - 3,200 min ⁻¹
Blows per minute		0 - 48,000	0 - 48,000
Overall length		254 mm	261 mm
Net weight		1.6 kg	1.7 kg
Safety class		□/II	

- Due to our continuing program of research and development, the specifications herein are subject to change without notice.
- Specifications may differ from country to country.
- Weight according to EPTA-Procedure 01/2003

Symbols

The following show the symbols used for the equipment. Be sure that you understand their meaning before use.



Read instruction manual.



DOUBLE INSULATION



Only for EU countries
Do not dispose of electric equipment together with household waste material!
In observance of the European Directive, on Waste Electric and Electronic Equipment and its implementation in accordance with national law, electric equipment that have reached the end of their life must be collected separately and returned to an environmentally compatible recycling facility.

Intended use

The tool is intended for impact drilling in brick, concrete and stone as well as for drilling without impact in wood, metal, ceramic and plastic.

Power supply

The tool should be connected only to a power supply of the same voltage as indicated on the nameplate, and can only be operated on single-phase AC supply. They are double-insulated and can, therefore, also be used from sockets without earth wire.

General Power Tool Safety Warnings

⚠ WARNING Read all safety warnings and all instructions. Failure to follow the warnings and instructions may result in electric shock, fire and/or serious injury.

Save all warnings and instructions for future reference.

The term "power tool" in the warnings refers to your mains-operated (corded) power tool or battery-operated (cordless) power tool.

Work area safety

1. **Keep work area clean and well lit.** Cluttered or dark areas invite accidents.
2. **Do not operate power tools in explosive atmospheres, such as in the presence of flammable liquids, gases or dust.** Power tools create sparks which may ignite the dust or fumes.
3. **Keep children and bystanders away while operating a power tool.** Distractions can cause you to lose control.

Electrical safety

4. **Power tool plugs must match the outlet. Never modify the plug in any way. Do not use any adapter plugs with earthed (grounded) power tools.** Unmodified plugs and matching outlets will reduce risk of electric shock.
5. **Avoid body contact with earthed or grounded surfaces such as pipes, radiators, ranges and refrigerators.** There is an increased risk of electric shock if your body is earthed or grounded.
6. **Do not expose power tools to rain or wet conditions.** Water entering a power tool will increase the risk of electric shock.
7. **Do not abuse the cord. Never use the cord for carrying, pulling or unplugging the power tool. Keep cord away from heat, oil, sharp edges or moving parts.** Damaged or entangled cords increase the risk of electric shock.
8. **When operating a power tool outdoors, use an extension cord suitable for outdoor use.** Use of a cord suitable for outdoor use reduces the risk of electric shock.
9. **If operating a power tool in a damp location is unavoidable, use a residual current device (RCD) protected supply.** Use of an RCD reduces the risk of electric shock.

10. **Use of power supply via a RCD with a rated residual current of 30 mA or less is always recommended.**

Personal safety

11. **Stay alert, watch what you are doing and use common sense when operating a power tool. Do not use a power tool while you are tired or under the influence of drugs, alcohol or medication.** A moment of inattention while operating power tools may result in serious personal injury.
12. **Use personal protective equipment. Always wear eye protection.** Protective equipment such as dust mask, non-skid safety shoes, hard hat, or hearing protection used for appropriate conditions will reduce personal injuries.
13. **Prevent unintentional starting. Ensure the switch is in the off-position before connecting to power source and/or battery pack, picking up or carrying the tool.** Carrying power tools with your finger on the switch or energising power tools that have the switch on invites accidents.
14. **Remove any adjusting key or wrench before turning the power tool on.** A wrench or a key left attached to a rotating part of the power tool may result in personal injury.
15. **Do not overreach. Keep proper footing and balance at all times.** This enables better control of the power tool in unexpected situations.
16. **Dress properly. Do not wear loose clothing or jewellery. Keep your hair, clothing, and gloves away from moving parts.** Loose clothes, jewellery or long hair can be caught in moving parts.
17. **If devices are provided for the connection of dust extraction and collection facilities, ensure these are connected and properly used.** Use of dust collection can reduce dust-related hazards.

Power tool use and care

18. **Do not force the power tool. Use the correct power tool for your application.** The correct power tool will do the job better and safer at the rate for which it was designed.
19. **Do not use the power tool if the switch does not turn it on and off.** Any power tool that cannot be controlled with the switch is dangerous and must be repaired.
20. **Disconnect the plug from the power source and/or the battery pack from the power tool before making any adjustments, changing accessories, or storing power tools.** Such preventive safety measures reduce the risk of starting the power tool accidentally.
21. **Store idle power tools out of the reach of children and do not allow persons unfamiliar with the power tool or these instructions to operate the power tool.** Power tools are dangerous in the hands of untrained users.
22. **Maintain power tools. Check for misalignment or binding of moving parts, breakage of parts and any other condition that may affect the power tool's operation. If damaged, have the power tool repaired before use.** Many accidents are caused by poorly maintained power tools.
23. **Keep cutting tools sharp and clean.** Properly maintained cutting tools with sharp cutting edges are less likely to bind and are easier to control.

24. **Use the power tool, accessories and tool bits etc. in accordance with these instructions, taking into account the working conditions and the work to be performed.** Use of the power tool for operations different from those intended could result in a hazardous situation.

Service

25. **Have your power tool serviced by a qualified repair person using only identical replacement parts.** This will ensure that the safety of the power tool is maintained.
26. **Follow instruction for lubricating and changing accessories.**
27. **Keep handles dry, clean and free from oil and grease.**

HAMMER DRILL SAFETY WARNINGS

1. **Wear ear protectors when impact drilling.** Exposure to noise can cause hearing loss.
2. **Use auxiliary handle(s), if supplied with the tool.** Loss of control can cause personal injury.
3. **Hold power tool by insulated gripping surfaces, when performing an operation where the cutting accessory may contact hidden wiring or its own cord.** Cutting accessory contacting a "live" wire may make exposed metal parts of the power tool "live" and could give the operator an electric shock.
4. **Always be sure you have a firm footing. Be sure no one is below when using the tool in high locations.**
5. **Hold the tool firmly with both hands.**
6. **Keep hands away from rotating parts.**
7. **Do not leave the tool running. Operate the tool only when hand-held.**
8. **Do not touch the bit or the workpiece immediately after operation; they may be extremely hot and could burn your skin.**
9. **Some material contains chemicals which may be toxic. Take caution to prevent dust inhalation and skin contact. Follow material supplier safety data.**

SAVE THESE INSTRUCTIONS.

⚠WARNING: DO NOT let comfort or familiarity with product (gained from repeated use) replace strict adherence to safety rules for the subject product. MISUSE or failure to follow the safety rules stated in this instruction manual may cause serious personal injury.

FUNCTIONAL DESCRIPTION

Switch action

⚠ CAUTION:

- Before plugging in the tool, always check to see that the switch trigger actuates properly and returns to the "OFF" position when released.
- Switch can be locked in "ON" position for ease of operator comfort during extended use. Apply caution when locking tool in "ON" position and maintain firm grasp on tool.

► **Fig.1:** 1. Switch trigger 2. Lock button

To start the tool, simply pull the switch trigger. Tool speed is increased by increasing pressure on the switch trigger. Release the switch trigger to stop. For continuous operation, pull the switch trigger, push in the lock button and then release the switch trigger. To stop the tool from the locked position, pull the switch trigger fully, then release it.

Reversing switch action

⚠ CAUTION:

- Always check the direction of rotation before operation.
- Use the reversing switch only after the tool comes to a complete stop. Changing the direction of rotation before the tool stops may damage the tool.
- If the switch trigger can not be depressed, check to see that the reversing switch is fully set to the ⇐ position (A side) or the ⇒ position (B side).

► **Fig.2:** 1. Reversing switch lever



This tool has a reversing switch to change the direction of rotation. Move the reversing switch lever to the ⇐ position (A side) for clockwise rotation or to the ⇒ position (B side) for counterclockwise rotation.

Selecting the action mode

⚠ CAUTION:

- Always slide the action mode changing lever all the way to your desired mode position. If you operate the tool with the lever positioned halfway between the mode symbols, the tool may be damaged.

► **Fig.3:** 1. Action mode changing lever

This tool has an action mode changing lever. For rotation with hammering, slide the action mode changing lever to the right ( symbol). For rotation only, slide the action mode changing lever to the left ( symbol).

ASSEMBLY

⚠ CAUTION:

- Always be sure that the tool is switched off and unplugged before carrying out any work on the tool.

Installing side grip (auxiliary handle)

⚠ CAUTION:

- Always be sure that the tool is switched off and unplugged before installing or removing the side grip.

► **Fig.4:** 1. Grip base 2. Teeth 3. Side grip (auxiliary handle) 4. Protrusion 5. Loosen 6. Tighten

Always use the side grip to ensure operating safety. Install the side grip so that the teeth on the grip fit in between the protrusions on the tool barrel. Then tighten the grip by turning clockwise at the desired position. It may be swung 360° so as to be secured at any position.

NOTE: The side grip cannot swing 360° when the depth gauge is installed.

Installing or removing drill bit

⚠ CAUTION:

- Always be sure that the tool is switched off and unplugged before installing or removing the bit.

► **Fig.5:** 1. Drill chuck 2. Chuck key

To install the bit, place it in the chuck as far as it will go. Tighten the chuck by hand. Place the chuck key in each of the three holes and tighten clockwise. Be sure to tighten all three chuck holes evenly. To remove the bit, turn the chuck key counterclockwise in just one hole, then loosen the chuck by hand. After using the chuck key, be sure to return it to the original position.

Depth gauge (optional accessory)

► **Fig.6:** 1. Side grip 2. Depth gauge 3. Grip base 4. Hex bolt

The depth gauge is convenient for drilling holes of uniform depth. Install the depth gauge by the following sequence.

1. Turn the side grip counterclockwise to loosen the hex bolt.
2. Insert the depth gauge and adjust the depth of hole.
3. Turn the side grip clockwise so that the depth gauge and the grip base are fixed on the tool completely.

NOTE: The depth gauge cannot be used at the position where the depth gauge strikes against the tool body.

OPERATION

⚠ CAUTION:


- Always use the side grip (auxiliary handle) and firmly hold the tool by both side grip and switch handle during operations.

► Fig.7

Hammer drilling operation

⚠ CAUTION:

- There is tremendous and sudden twisting force exerted on the tool/bit at the time of hole break-through, when the hole becomes clogged with chips and particles, or when striking reinforcing rods embedded in the concrete. Always use the side grip (auxiliary handle) and firmly hold the tool by both side grip and switch handle during operations. Failure to do so may result in the loss of control of the tool and potentially severe injury.


When drilling in concrete, granite, tile, etc., slide the action mode changing lever to the position of  to use "rotation with hammering" action. Be sure to use a tungsten-carbide tipped bit. Do not apply more pressure when the hole becomes clogged with chips or particles. Instead, run the tool at an idle, then remove the bit partially from the hole. By repeating this several times, the hole will be cleaned out.

After drilling the hole, use the blow-out bulb to clean the dust out of the hole.

Drilling operation

⚠ CAUTION:

- Pressing excessively on the tool will not speed up the drilling. In fact, this excessive pressure will only serve to damage the tip of your bit, decrease the tool performance and shorten the service life of the tool.
- There is a tremendous force exerted on the tool/bit at the time of hole break through. Hold the tool firmly and exert care when the bit begins to break through the workpiece.
- A stuck bit can be removed simply by setting the reversing switch to reverse rotation in order to back out. However, the tool may back out abruptly if you do not hold it firmly.
- Always secure small workpieces in a vise or similar hold-down device.

When drilling in wood, metal or plastic materials, slide the action mode changing lever to the position of  to use "rotation only" action.

Drilling in wood

When drilling in wood, the best results are obtained with wood drills equipped with a guide screw. The guide screw makes drilling easier by pulling the bit into the workpiece.

Drilling in metal

To prevent the bit from slipping when starting a hole, make an indentation with a center-punch and hammer at the point to be drilled. Place the point of the bit in the indentation and start drilling. Use a cutting lubricant when drilling metals. The exceptions are iron and brass which should be drilled dry.

MAINTENANCE

⚠ CAUTION:

- Always be sure that the tool is switched off and unplugged before carrying out any work on the tool.
- Never use gasoline, benzine, thinner, alcohol or the like. Discoloration, deformation or cracks may result.

To maintain product SAFETY and RELIABILITY, repairs, carbon brush inspection and replacement, any other maintenance or adjustment should be performed by Makita Authorized Service Centers, always using Makita replacement parts.

ТЕХНИЧЕСКИЕ ХАРАКТЕРИСТИКИ

Модель		M0800	M0801
Производительность	Бетон	10 мм	16 мм
	Дерево	20 мм	20 мм
	Сталь	10 мм	13 мм
Число оборотов без нагрузки		0 - 3 200 мин ⁻¹	0 - 3 200 мин ⁻¹
Ударов в минуту		0 - 48 000	0 - 48 000
Общая длина		254 мм	261 мм
Вес нетто		1,6 кг	1,7 кг
Класс безопасности		□/II	

- Благодаря нашей постоянно действующей программе исследований и разработок, указанные здесь технические характеристики могут быть изменены без предварительного уведомления.
- Технические характеристики могут различаться в зависимости от страны.
- Масса в соответствии с процедурой ЕРТА 01/2003

Символы

Ниже приведены символы, используемые для электроинструмента. Перед использованием убедитесь, что вы понимаете их значение.



Прочитайте руководство пользователя.



ДВОЙНАЯ ИЗОЛЯЦИЯ



Только для стран ЕС
Не утилизируйте данный электроинструмент вместе с бытовыми отходами! В рамках соблюдения Европейской Директивы по утилизации электрического и электронного оборудования и ее применения в соответствии с национальным законодательством, электрооборудование в конце срока своей службы должно утилизироваться отдельно и передаваться для его утилизации на предприятие, соответствующее применяемым правилам охраны окружающей среды.

Назначение

Данный инструмент предназначен для ударного сверления в кирпиче, бетоне и камне, а также для безударного сверления древесины, металла, керамики и пластика.

Питание

Подключайте данный инструмент только к тому источнику питания, напряжение которого соответствует напряжению, указанному на паспортной табличке. Инструмент предназначен для работы от источника однофазного переменного тока. Он имеет двойную изоляцию и поэтому может подключаться к розеткам без заземления.

Общие рекомендации по технике безопасности для электроинструментов

⚠ ПРЕДУПРЕЖДЕНИЕ Ознакомьтесь со всеми инструкциями и рекомендациями по технике безопасности. Невыполнение инструкций и рекомендаций может привести к поражению электротоком, пожару и/или тяжелым травмам.

Сохраните брошюру с инструкциями и рекомендациями для дальнейшего использования.

Термин "электроинструмент" в предупреждениях относится ко всему инструменту, работающему от сети или на аккумуляторах.

Безопасность в месте выполнения работ

1. Рабочее место должно быть чистым и хорошо освещенным. Захламление и плохое освещение могут стать причиной несчастных случаев.
2. Не пользуйтесь электроинструментом во взрывоопасной атмосфере, например в присутствии легко воспламеняющихся жидкостей, газов или пыли. При работе электроинструмента возникают искры, которые могут привести к воспламенению пыли или газов.
3. При работе с электроинструментом не допускайте детей или посторонних к месту выполнения работ. Не отвлекайтесь во время работы, так как это приведет к потере контроля над электроинструментом.

Электробезопасность

4. Вилка электроинструмента должна соответствовать сетевой розетке. Никогда не вносите никаких изменений в конструкцию розетки. При использовании электроинструмента с заземлением не используйте переходники. Розетки и вилки, не подвергавшиеся изменениям, снижают риск поражения электрическим током.

5. Избегайте контакта участков тела с заземленными поверхностями, такими как трубы, радиаторы, батареи отопления и холодильники. При контакте тела с заземленными предметами увеличивается риск поражения электрическим током.
6. Не подвергайте электроинструмент воздействию дождя или влаги. Попадание воды в электроинструмент повышает риск поражения электрическим током.
7. Аккуратно обращайтесь со шнуром питания. Никогда не используйте шнур питания для переноски, перемещения или извлечения вилки из розетки. Располагайте шнур на расстоянии от источников тепла, масла, острых краев и движущихся деталей. Поврежденные или запутанные сетевые шнуры увеличивают риск поражения электрическим током.
8. При использовании электроинструмента вне помещения используйте удлинитель, подходящий для этих целей. Использование соответствующего шнура снижает риск поражения электрическим током.
9. Если электроинструмент приходится эксплуатировать в сыром месте, используйте линию электропитания, которая защищена устройством, срабатывающим от остаточного тока (RCD). Использование RCD снижает риск поражения электротоком.
10. Рекомендуется использовать питание через RCD с номинальным остаточным током 30 мА или менее.

Личная безопасность

11. При использовании электроинструмента будьте бдительны, следите за тем, что вы делаете, и руководствуйтесь здравым смыслом. Не пользуйтесь электроинструментом, если вы устали, находитесь под воздействием наркотиков, алкоголя или лекарственных препаратов. Даже мгновенная невнимательность при использовании электроинструмента может привести к серьезной травме.
 12. Используйте средства индивидуальной защиты. Обязательно надевайте защитные очки. Такие средства индивидуальной защиты, как респиратор, защитная нескользящая обувь, каска или наушники, используемые в соответствующих условиях, позволяют снизить риск получения травмы.
 13. Не допускайте случайного включения устройства. Прежде чем подсоединять инструмент к источнику питания и/или аккумуляторной батарее, поднимать или переносить инструмент, убедитесь, что переключатель находится в выключенном положении. Переноска электроинструмента с пальцем на выключателе или подача питания на инструмент с включенным выключателем может привести к несчастному случаю.
 14. Перед включением электроинструмента снимите с него все регулировочные инструменты и гаечные ключи. Гаечный или регулировочный ключ, оставшийся закрепленным на вращающейся детали, может привести к травме.
 15. При эксплуатации устройства не тянитесь. Всегда сохраняйте устойчивое положение и равновесие. Это позволит лучше управлять электроинструментом в непредвиденных ситуациях.
 16. Одевайтесь соответствующим образом. Не надевайте свободную одежду или украшения. Ваши волосы, одежда и перчатки должны всегда находиться на расстоянии от вращающихся деталей. Свободная одежда, украшения или длинные волосы могут попасть в движущиеся детали устройства.
 17. Если имеются устройства для подключения пылесборника или вытяжки, убедитесь, что они подсоединены и правильно используются. Использование пылесборника снижает вероятность возникновения рисков, связанных с пылью.
- Использование и уход за электроинструментом**
18. Не прилагайте излишних усилий к электроинструменту. Используйте инструмент, соответствующий выполняемой вами работе. Правильно подобранный электроинструмент позволит выполнить работу лучше и безопаснее с производительностью, на которую он рассчитан.
 19. Не пользуйтесь электроинструментом с неисправным выключателем. Любой электроинструмент с неисправным выключателем опасен и должен быть отремонтирован.
 20. Перед выполнением регулировок, сменой принадлежностей или хранением электроинструмента всегда отключайте его от источника питания и/или от аккумулятора. Такие превентивные меры предосторожности снижают риск случайного включения электроинструмента.
 21. Храните электроинструменты в местах, недоступных для детей, и не позволяйте лицам, не знакомым с работой такого инструмента или не прочитавшим данные инструкции, пользоваться им. Электроинструмент опасен в руках неопытных пользователей.
 22. Выполняйте техническое обслуживание электроинструментов. Убедитесь в соосности, отсутствии деформаций движущихся узлов, поломок каких-либо деталей или других дефектов, которые могут повлиять на работу электроинструмента. Если инструмент поврежден, отремонтируйте его перед использованием. Большое число несчастных случаев происходит из-за плохого ухода за электроинструментом.
 23. Режущий инструмент всегда должен быть острым и чистым. Соответствующее обращение с режущим инструментом, имеющим острые режущие кромки, делает его менее подверженным деформациям, что позволяет лучше управлять им.
 24. Используйте электроинструмент, принадлежности, приспособления и насадки в соответствии с данными инструкциями и в целях, для которых он предназначен, учитывая при этом условия и вид выполняемой работы. Использование электроинструмента не по назначению может привести к возникновению опасной ситуации.

Обслуживание

25. Обслуживание электроинструмента должно проводиться только квалифицированным специалистом по ремонту и только с использованием идентичных запасных частей. Это позволит обеспечить безопасность электроинструмента.
26. Следуйте инструкциям по смазке и замене принадлежностей.
27. Ручки инструмента всегда должны быть сухими и чистыми и не должны быть смазаны маслом или смазкой.

МЕРЫ БЕЗОПАСНОСТИ ПРИ ИСПОЛЬЗОВАНИИ ПЕРФОРАТОРА

1. При использовании ударной дрели используйте средства защиты слуха. Воздействие шума может привести к потере слуха.
2. Используйте дополнительную ручку (если входит в комплект инструмента). Утрата контроля над инструментом может привести к травме.
3. Если при выполнении работ существует риск контакта режущего инструмента со скрытой электропроводкой или собственным шнуром питания, держите электроинструмент за специально предназначенные изолированные поверхности. Контакт с проводом под напряжением приведет к тому, что металлические детали инструмента также будут под напряжением, что приведет к поражению оператора электрическим током.
4. При выполнении работ всегда занимайте устойчивое положение. При использовании инструмента на высоте убедитесь в отсутствии людей внизу.
5. Крепко держите инструмент обеими руками.
6. Руки должны находиться на расстоянии от вращающихся деталей.
7. Не оставляйте работающий инструмент без присмотра. Включайте инструмент только тогда, когда он находится в руках.
8. Сразу после окончания работ не прикасайтесь к бите или детали. Они могут быть очень горячими, что приведет к ожогам кожи.
9. Некоторые материалы могут содержать токсичные химические вещества. Примите соответствующие меры предосторожности, чтобы избежать вдыхания или контакта с кожей таких веществ. Соблюдайте требования, указанные в паспорте безопасности материала.

СОХРАНИТЕ ДАННЫЕ ИНСТРУКЦИИ.

⚠ОСТОРОЖНО: НЕ ДОПУСКАЙТЕ, чтобы удобство или опыт эксплуатации данного устройства (полученный от многократного использования) доминировали над строгим соблюдением правил техники безопасности при обращении с этим устройством. **НЕПРАВИЛЬНОЕ ИСПОЛЬЗОВАНИЕ** инструмента или несоблюдение правил техники безопасности, указанных в данном руководстве, может привести к тяжелой травме.

ОПИСАНИЕ ФУНКЦИОНИРОВАНИЯ

Действие выключателя

⚠ВНИМАНИЕ:

- Перед включением инструмента в розетку, всегда проверяйте, что триггерный переключатель работает надлежащим образом и возвращается в положение "ВЫКЛ", если его отпустить.
- Переключатель можно заблокировать в положении "ВКЛ" для удобства оператора при продолжительном использовании. Будьте осторожны при блокировке инструмента в положении "ВКЛ" и продолжайте крепко удерживать инструмент.

► **Рис.1:** 1. Курковый выключатель 2. Кнопка блокировки

Для включения инструмента достаточно просто нажать курковый выключатель. Для увеличения числа оборотов нажмите курковый выключатель сильнее. Для выключения инструмента отпустите курковый выключатель. Для непрерывной работы инструмента нажмите на курковый выключатель, нажмите кнопку фиксации и затем отпустите курковый выключатель. Для отключения фиксированного положения выключателя до конца нажмите на курковый выключатель и затем отпустите его.

Действие реверсивного переключателя

⚠ВНИМАНИЕ:

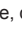

- Перед работой всегда проверяйте направление вращения.
- Пользуйтесь реверсивным переключателем только после полной остановки инструмента. Изменение направления вращения до полной остановки инструмента может привести к его повреждению.
- Если не удается нажать триггерный переключатель, убедитесь, что реверсивный переключатель установлен точно в положение ← (сторона А) или → (сторона В).

► **Рис.2:** 1. Рычаг реверсивного переключателя
Данный инструмент имеет реверсивный переключатель для изменения направления вращения. Переведите рычаг реверсивного переключателя в положение ← (сторона А) для вращения по часовой стрелке, или в положение → (сторона В) для вращения против часовой стрелки.

Выбор режима действия

⚠ ВНИМАНИЕ:

- Всегда переводите рычаг изменения режима действия до конца в желаемое положение. Если Вы будете работать с инструментом, а рычаг при этом будет находиться посередине между обозначениями режимов, это может привести к повреждению инструмента.

► **Рис.3:** 1. Рычаг изменения режима работы
Данный инструмент имеет рычаг переключения режима работы. Для сверления с перфорацией сдвиньте рычаг переключения режима вправо (символ ). Если требуется только сверление, сдвиньте рычаг переключения режима влево (символ ).

МОНТАЖ

⚠ ВНИМАНИЕ:

- Перед проведением каких-либо работ с инструментом всегда проверяйте, что инструмент выключен, а шнур питания вынут из розетки.

Установка боковой ручки (вспомогательной рукоятки)

⚠ ВНИМАНИЕ:

- Перед установкой и снятием боковой рукоятки убедитесь, что инструмент выключен, а вилка вынута из розетки.

► **Рис.4:** 1. Основа рукоятки 2. Зубья 3. Боковая рукоятка (вспомогательная ручка)
4. Выступ 5. Ослабить 6. Затянуть

Для безопасного выполнения работ всегда держите инструмент за боковую ручку. Установите боковую ручку так, чтобы зубья на ручке вошли между выступами на барабане инструмента. Затем затяните ручку в нужном положении, повернув ее по часовой стрелке. Ручку можно поворачивать на 360° и фиксировать ее в любом положении.

ПРИМЕЧАНИЕ: Боковую рукоятку нельзя поворачивать на 360°, когда установлен глубиномер.

Установка или снятие сверла

⚠ ВНИМАНИЕ:

- Перед установкой или снятием сверла выключите инструмент и извлеките его вилку из розетки сети питания.

► **Рис.5:** 1. Сверлильный патрон 2. Ключ зажимного патрона

Для установки сверла вставьте его в зажимной патрон до упора. Затяните патрон рукой. Установите ключ патрона в каждое из трех отверстий и затяните по часовой стрелке. Равномерно затяните патрон во всех трех отверстиях. Для извлечения сверла поверните ключ патрона против часовой стрелки, установив его в одно отверстие. Затем ослабьте патрон рукой. После использования ключа патрона не забудьте вернуть его в первоначальное положение.

Глубиномер (дополнительная принадлежность)

► **Рис.6:** 1. Боковая ручка 2. Глубиномер 3. Основа рукоятки 4. Болт с шестигранной головкой

Измеритель глубины является удобным для сверления отверстий одинаковой глубины. Установите измеритель глубины, выполнив следующие действия.

1. Поверните боковую рукоятку против часовой стрелки, чтобы ослабить шестигранный болт.
2. Вставьте измеритель глубины и отрегулируйте глубину отверстия.
3. Поверните боковой захват по часовой стрелке так, чтобы измеритель глубины и основа захвата были полностью зафиксированы в инструменте.

ПРИМЕЧАНИЕ: Глубиномер нельзя использовать в месте, где глубиномер ударяется о корпус инструмента.

ЭКСПЛУАТАЦИЯ

⚠ ВНИМАНИЕ:


- Всегда пользуйтесь боковой рукояткой (вспомогательной ручкой) и при работе крепко держите инструмент и за боковую рукоятку, и за ручку переключения.

► **Рис.7**

Сверление с ударным действием


⚠ ВНИМАНИЕ:

- При ударе о стержневую арматуру, залитую в бетон, при засорении отверстия щепой и частицами или в случае, когда просверливаемое отверстие становится сквозным, на инструмент/сверло воздействует значительная и неожиданная сила скручивания. Всегда пользуйтесь боковой рукояткой (вспомогательной ручкой) и крепко держите инструмент и за боковую рукоятку, и за ручку переключения при работе. Несоблюдение данного требования может привести к потере контроля за инструментом и потенциальной серьезной травме.

При сверлении в бетоне, граните, керамической плитке и т.п. сдвиньте рычаг переключения режима в положение , чтобы включить режим "вращение и удар". Используйте сверло с наконечником из карбида вольфрама. При забивании отверстия стружкой или частицами не увеличивайте давления на инструмент. Вместо этого дайте инструменту поработать вхолостую и затем частично вытащите сверло из отверстия. Повторите это несколько раз, вы очистите отверстие. После сверления отверстия воспользуйтесь грушей для продувки, чтобы выдуть пыль из отверстия.

⚠ ВНИМАНИЕ:

- Чрезмерное нажатие на инструмент не ускорит сверление. На самом деле, чрезмерное давление только повредит наконечник Вашего сверла, снизит производительность инструмента и сократит срок его службы.
- Когда просверливаемое отверстие становится сквозным, на инструмент/сверло воздействует значительная сила. Крепко удерживайте инструмент и будьте осторожны, когда сверло начинает проходить сквозь обрабатываемую деталь.
- Застывшее сверло можно вынуть путем простого переключения реверсивного переключателя на обратное вращение задним ходом. Однако инструмент может повернуться в обратном направлении слишком быстро, если его не держать крепко.
- Всегда закрепляйте небольшие обрабатываемые детали в тисках или подобном зажимном устройстве.

При сверлении дерева, металла или пластика сдвиньте рычаг выбора режима в положение , чтобы использовать режим "только вращение".

Сверление в дереве

При сверлении в дереве, наилучшие результаты достигаются при использовании сверл для дерева, снабженных направляющим винтом. Направляющий винт упрощает сверление, удерживая сверло в обрабатываемой детали.

Сверление металла

Во избежание соскальзывания сверла при начале сверления в месте сверления сделайте насечку на детали при помощи кернера и молотка. Установите конец сверла в полученную насечку и начните сверление. При сверлении металла используйте специальную смазку. Исключения составляют железо и латунь, которые могут сверлиться всухую.

ТЕХОБСЛУЖИВАНИЕ

⚠ ВНИМАНИЕ:

- Перед проведением каких-либо работ с инструментом всегда проверяйте, что инструмент выключен, а шнур питания вынут из розетки.
- Запрещается использовать бензин, лигроин, растворитель, спирт и т.п. Это может привести к изменению цвета, деформации и появлению трещин.

Для обеспечения БЕЗОПАСНОСТИ и НАДЕЖНОСТИ изделия ремонт, проверка и замена угольных щеток и любые другие работы по техобслуживанию или регулировке должны осуществляться в уполномоченных сервис-центрах Makita с использованием запасных частей только производства компании Makita.

ТЕХНИКАЛЫҚ СИПАТТАМАЛАРЫ

Үлгісі		M0800	M0801
Сыйымдылықтары	Бетон	10 мм	16 мм
	Ағаш	20 мм	20 мм
	Болат	10 мм	13 мм
Жүктемесіз жылдамдығы		0 - 3200 мин ⁻¹	0 - 3200 мин ⁻¹
Бір минуттағы соққы саны		0 - 48 000	0 - 48 000
Жалпы ұзындығы		254 мм	261 мм
Таза салмағы		1,6 кг	1,7 кг
Қауіпсіздік класы		□/II	

- Зерттеу мен әзірлеудің үздіксіз бағдарламасына байланысты осы құжаттағы техникалық сипаттамалар ескертусіз өзгертілуі мүмкін.
- Техникалық сипаттамалары әр елде әр түрлі болуы мүмкін.
- Салмағы ЕРТА-Procedure 01/2003 стандартына сәйкес

Белгілер

Төменде жабдықта пайдаланылған белгілер көрсетілген. Қолданар алдында олардың мағынасын түсініп алыңыз.



Пайдалану жөніндегі нұсқаулықты оқып шығыңыз.



ҚОС ҚАБАТТЫ ОҚШАУЛАУ



Тек ЕО елдері үшін
Электрлік жабдықты тұрмыстық қалдықтармен бірге тастамаңыз!
Электрлік және электрондық жабдықты қоқысқа тастау бойынша Еуропалық директиваның шарттары бойынша, қызметтік мерзімі аяқталған электрлік жабдық бөлек жиналып, экологиялық тұрғыдан қауіпсіз утилизация пунктіне қайтарылуы тиіс.

Қолдану мақсаты

Құрал кірпіш, бетон және таста соққылау арқылы бұрғылауға, сондай-ақ ағаш, металл, керамика және пластикте соққылаусыз бұрғылауға арналған.

Қуат көзі

Құрал паспорттық деректері бар фирмалық тақтайшада көрсетілген кернеумен бірдей қуат көзіне қосылуы керек және тек бір фазалы АТ көзімен жұмыс істейді. Оның қос қабатты оқшауламасы бар болғандықтан, жерге түйықталмаған розеткаларды пайдалануға болады.

Электрлік құралдың жалпы қауіпсіздік ескертулері

⚠ЕСКЕРТУ Барлық қауіпсіздік ескертулері мен нұсқауларын оқып шығыңыз. Төменде берілген барлық ескертулер мен нұсқауларды орындамаған жағдайда, электр тогының соғуы, өрт шығуы және/немесе ауыр жарақат алуға себеп болуы мүмкін.

Алдағы уақытта қолдану үшін барлық ескерту мен нұсқауды сақтап қойыңыз.

Ескертулердегі “электрлік құрал” термині қуат көзінен жұмыс істейтін (сымды) электрлік құралды немесе аккумулятормен жұмыс істейтін (сымсыз) электрлік құралды білдіреді.

Жұмыс аймағындағы қауіпсіздік

1. **Жұмыс аймағы таза әрі жарық болуы керек.** Лас немесе қараңғы аймақтарда жазатайым оқиғалар туындауы мүмкін.
2. **Электрлік құралды айналасында тез тұтанатын сұйықтық, газ немесе шаң сияқты заттардан тұратын жарылыс қаупі бар орталарда пайдаланбаңыз.** Электрлік құралдар шаң немесе газды тұтандыратын электр ұшқындарын шығарады.
3. **Электрлік құралды пайдаланған кезде, балалар және бөгде адамдар алшақ жүруі керек.** Басқа нәрсеге алаңдасаңыз, құралға ие бола алмай қалуыңыз мүмкін.

Электрлік қауіпсіздік

4. **Электрлік құралдың ашасы розеткаға сәйкес көлуі керек.** Ашаны ешбір жағдайда өзгертпеңіз. Адаптер ашаларын жерге түйықталған электрлік құралдармен пайдаланбаңыз. Өзгертілмеген ашалар мен сәйкес келетін розеткалар электр тогының соғу қаупін азайтады.
5. **Түтіктер, радиаторлар, жылу батареялары және тоңазытқыштар сияқты жерге түйықталған беттерді ұстамаңыз.** Егер дененіз жерге түйықталатын болса, ток соғу қаупі жоғары.
6. **Электрлік құралдарды жаңбырдың астына немесе ылғалды жерлерге қоймаңыз.** Электрлік құралға су кіретін болса, ток соғу қаупі артады.
7. **Қуат шнурын дұрыс пайдаланыңыз.** Электрлік құралды тасу, тарту немесе қуат көзінен ажырату үшін қуат шнурын пайдалануға болмайды. Қуат шнурына ыстық зат, май, өткір жиек немесе қозғалмалы бөлшектер тимеуі керек. Зақымдалған немесе оралған қуат шнурлары ток соғу қаупін арттырады.

8. **Электрлік құралды сыртта пайдаланғанда, сыртта қолдануға жарамды ұзартқышты қолданыңыз.** Сыртта қолдануға жарамды шнурды пайдалану ток соғу қаупін азайтады.
9. **Егер электрлік құралды ылғалды жерде пайдалану керек болса, қорғаныстық ажырату құрылғысын (RCD) пайдаланыңыз.** Қорғаныстық ажырату құрылғысын пайдалану ток соғу қаупін азайтады.
10. **Электр қуатын әрдайым 30 мА немесе одан кем номиналды дифференциалды тоғы бар қорғаныстық ажырату құрылғысы (RCD) арқылы пайдаланған жөн.**

Жеке қауіпсіздік

11. **Электрлік құралды пайдаланған кезде, жасап жатқан жұмысыңызға қырағылық танытып, мұқият болыңыз.** Шаршағанда немесе есірткі, алкоголь немесе дәрі-дәрмектің әсерінде болған кезде электрлік құралды пайдаланбаңыз. Электрлік құралды пайдалану кезінде сәл ғана аңсыздық таныту ауыр жарақатқа әкелуі мүмкін.
12. **Жеке қорғаныс жабдығын пайдаланыңыз.** Міндетті түрде қорғаныс көзілдірігін тағыңыз. Шаңнан қорғайтын маска, сырғанамайтын қорғаныс аяқ киімі, каска немесе құлақпап сияқты қорғаныс жабдықтарын тиісті жағдайларда қолдану жарақаттану қаупін азайтады.
13. **Кездейсоқ іске қосудың алдын алыңыз.** Құралды қуат көзіне және/немесе аккумулятор блогына қоспас бұрын, оны жинап немесе тасымалдамас бұрын, ауыстырып-қосқыш өшіріл күйде екеніне көз жеткізіңіз. Саусақ электрлік құралдың ауыстырып-қосқышында тұрған кезде оны тасымалдау немесе ауыстырып-қосқышы қосулы электрлік құралды қуат көзіне қосу жазатайым оқиғаға әкелуі мүмкін.
14. **Электрлік құралды қоспас бұрын, реттегіш немесе сомынды бұрайтын кілттерді алып тастаңыз.** Электрлік құралдың айналмалы бөлігінде реттегіш немесе сомынды бұрайтын кілт бекітулі қалса, жарақаттауы мүмкін.
15. **Тым артық күш салмаңыз. Әрдайым тұрақты және тепе-теңдік сақтайтын күйде болыңыз.** Бұл күтпеген жағдайда электрлік құралды жақсы басқаруға мүмкіндік береді.
16. **Жұмысқа сай киініңіз. Бос киім киімнің және әшекей тақпаңыз.** Шаш, киім және қолғабыңызды қозғалмалы бөлшектерден алшақ ұстаңыз. Бос киім, әшекейлер немесе ұзын шаш қозғалмалы бөлшектерге ілініп қалуы мүмкін.
17. **Шаң тұту және жинау құрылғылары қамтамасыз етілген болса, олардың қосулы екендігіне және дұрыс қолданылып жатқанына көз жеткізіңіз.** Шаң жинау құрылғысын пайдалану шаңмен байланысты қауіпті азайту мүмкін.

Электрлік құралды пайдалану және күтім жасау

18. **Электрлік құралға артық күш түсірмеңіз.** Орындалатын жұмысқа сәйкес келетін электрлік құралды пайдаланыңыз. Дұрыс таңдалған электрлік құрал өзіне жүктелген жұмысты жақсы және қауіпсіз істейді.
19. **Ауыстырып-қосқышы ақаулы электрлік құралды пайдаланбаңыз.** Ауыстырып-қосқышы ақаулы кез келген электрлік құрал қауіп төндіреді және оны жөндеу керек.
20. **Кез келген реттеулер жасамас бұрын, керек-жарақтарды ауыстырмас бұрын немесе электрлік құралдарды ұзақ уақытқа сақтамас бұрын, ашаны қуат көзінен ажыратыңыз және/немесе аккумулятор блогы бар болса, оны шығарып алыңыз.** Осындай алдын алу шаралары электрлік құралдың кездейсоқ іске қосылу қаупін азайтады.
21. **Электрлік құралдарды балалардың қолы жетпейтін жерде сақтаңыз, сонымен қатар электрлік құралмен жұмыс істей алмайтын және осы нұсқауларды оқымаған тұлғаларға құралды пайдалануға рұқсат етпеңіз.** Арнайы жаттығудан өтпеген пайдаланушылар үшін электрлік құрал қауіп төндіреді.
22. **Электр құралдарына техникалық қызмет көрсетіңіз.** Қозғалмалы бөлшектердің ауытқуы және оралуы, зақымдалған бөлшектер және электрлік құралдың жұмысына кері әсер ететін басқа жағдайлардың бар-жоғын тексеріңіз. Зақымы болса, электрлік құралды жөндеген соң бірақ пайдаланыңыз. Жазатайым оқиғалардың көбі электрлік құралдарға дұрыс техникалық қызмет көрсетілмеу себебінен болады.
23. **Кесу құралдары өткір және таза болуы керек.** Кескіш жиіктері өткір кесу құралдарын дұрыс пайдалансаңыз, олар тұрып қалмайды және басқаруға оңай.
24. **Электрлік құралды, керек-жарақтарды және қондырмаларды, т.б. жұмыс жағдайы мен орындалатын жұмысты ескере отырып, осы нұсқауларға сәйкес пайдаланыңыз.** Электрлік құралды басқа мақсатта пайдаланған жағдайда, қауіпті жағдай туындауы мүмкін.

Қызмет көрсету

25. **Электрлік құралды білікті маманға жөндетіп алыңыз, ол тиісті қосалқы бөлшектерді пайдалануы керек.** Бұл электрлік құралдың қауіпсіздігін қамтамасыз етеді.
26. **Керек-жарақтарды майлау және ауыстыру нұсқауын орындаңыз.**
27. **Тұтқаларды құрғақ, таза ұстаңыз және майлы болмауын қамтамасыз етіңіз.**

СОҚПАЛЫ БҰРҒЫҒА ҚАТЫСТЫ ҚАУІПСІЗДІК ТУРАЛЫ ҚАУІПСІЗДІК ЕСКЕРТУЛЕРІ

1. **Соққылау арқылы бұрғылау кезінде құлақ қорғанышын киіңіз.** Шуылдың әсері есту қабілетінің жоғалуына әкелуі мүмкін.
2. **Егер құралмен бірге берілген болса, қосалқы тұтқа(лар)ды пайдаланыңыз.** Құралға ие бола алмай қалсаңыз, жарақат алуыңыз мүмкін.
3. **Жұмыс істеп жатқанда, кесуге арналған керек-жарақ жасырын сымға немесе өз шнурына тиіп кетуі мүмкін болса, электр құралды оқшауланған арнайы қысқыштармен ұстаңыз.** Кесу құралы кернеулі сымға тиіп кетсе, электрлік құралдың ашық металл бөлшектерінде кернеу пайда болады, нәтижесінде операторды ток соғуы мүмкін.
4. **Әрдайым тұрақты жерде тұрғаныңызға көз жеткізіңіз.** Құралды биіктікте пайдаланған кезде, төменгі жақта адамдардың жоқ екеніне көз жеткі.

5. Құралды екі қолыңызбен мықтап ұстаңыз.
6. Қолыңызды айналмалы бөлшектерден аулақ ұстаңыз.
7. Құралды қосулы күйде қалдырмаңыз. Құралды тек қолмен ұстап пайдаланыңыз.
8. Қашауды немесе өңдеу бөлшегін пайдаланғаннан кейін бірден ұстауға болмайды. Олар өте ыстық болып, теріні күйдіруі мүмкін.
9. Кейбір материалдарда улы болуы мүмкін химиялық заттар бар. Шаң жұтуға жол бермей, теріге тигізбеңіз. Материал жеткізушісінің қауіпсіздік туралы деректерін қараңыз.

ОСЫ НҰСҚАУЛАРДЫ САҚТАҢЫЗ.

▲ЕСКЕРТУ: Өнімді қайта пайдалану барысында САЛҒЫРТТЫҚ ТАНЫТПАЙ, қауіпсіздік ережелерін ұстанаңыз. Осы пайдалану жөніндегі нұсқаулықта келтірілген қауіпсіздік ережелерін ДҰРЫС ПАЙДАЛАНБАУ немесе орындамау ауыр жарақаттарға әкеп соқтыруы мүмкін.

ФУНКЦИОНАЛДЫҚ СИПАТТАМАСЫ

Ауыстырып-қосқыштың әрекеті

▲САҚ БОЛЫҢЫЗ:

- Құралды қоспас бұрын, әрдайым ауыстырып-қосқыш шүріппесінің дұрыс жұмыс істеп тұрғанына және босатылған кезде "ӨШІРУЛІ" күйіне қайтарылатынына әрқашан көз жеткізіп тұрыңыз.
- Ұзақ пайдалану кезінде оператордың ыңғайлылығы үшін ауыстырып-қосқыш "ҚОСУЛЫ" күйінде құлыптала алады. Құралды "ҚОСУЛЫ" күйінде құлыптау кезінде сақ болыңыз және құралды мықтап ұстаңыз.

- **Сурет1:** 1. Ауыстырып-қосқыш шүріппесі 2. Құлыптау түймесі

Құралды іске қосу үшін жай ғана ауыстырып-қосқыш шүріппесін басыңыз. Құралдың жылдамдығы ауыстырып-қосқыш шүріппесіндегі қысымды арттырған сайын артады. Тоқтату үшін ауыстырып-қосқыш шүріппесін жіберіңіз. Үздіксіз жұмыс істеу үшін ауыстырып-қосқыш шүріппесін тартып, құлыптау түймесін басып, ауыстырып-қосқыш шүріппесін босатыңыз. Құралды құлыпталған күйден тоқтату үшін, ауыстырып-қосқыш шүріппесін толығымен тартыңыз, содан кейін оны босатыңыз.

Ауыстырып-қосқыш жұмыс бағытын кері айналдыру

▲САҚ БОЛЫҢЫЗ:

- Жұмыс алдында әрдайым айналым бағытын тексеріңіз.
- Кері айналдыру ауыстырып-қосқышын құрал толығымен тоқтағаннан кейін ғана қолданыңыз. Құрал тоқтамас бұрын айналым бағытын өзгерту құралдың зақымдалуына әкелуі мүмкін.
- Егер ауыстырып-қосқыш шүріппесін басу мүмкін болмаса, реверсивті ауыстырып-қосқышты ⇐ күйіне (А жағы) немесе ⇨ күйіне (В жағы) толықтай орнатылғанына көз жеткізіңіз.

- **Сурет2:** 1. Кері айналдыру ауыстырып-қосқыш тетігі

Бұл құралда айналым бағытын өзгерту үшін кері айналдыру ауыстырып-қосқышы бар. Реверсивті ауыстырып-қосқыш тетігін сағат тілімен айналуы үшін ⇐ күйіне (А жағы) немесе сағат тіліне қарсы айналуы үшін ⇨ күйіне (В жағы) жылжытыңыз.

Әрекет ету режимін таңдау

▲САҚ БОЛЫҢЫЗ:

- Әрекет ету режимін ауыстыру тетігін әрқашан қажетті режим күйіне барынша сырғытыңыз. Егер құралды режим белгілері аралықтарының ортасында орналасқан тетікпен жұмыс жасасаңыз, құрал зақымдалуы мүмкін.

- **Сурет3:** 1. Әрекет ету режимін ауыстыру тетігі

Бұл құралда әрекет ету режимін ауыстыру тетігі бар. Соғу арқылы айналдыру үшін, әрекет ету режимінің ауыстыру тетігін оңға (⏪ белгісі) қарай сырғытыңыз. Тек айналдыру үшін, әрекет ету режимінің ауыстыру тетігін солға (⏩ белгісі) қарай сырғытыңыз.

ҚҰРАСТЫРУ

▲САҚ БОЛЫҢЫЗ:

- Құралмен жұмыс істемес бұрын, әрдайым құралдың өшірулі екендігіне және ажыратылғандығына көз жеткізіңіз.

Бүйірлік тұтқышты орнату (көмекші тұтқа)

▲САҚ БОЛЫҢЫЗ:

- Бүйірлік тұтқышты орнату немесе алып тастау алдында құралдың өшірілгеніне және қуаттан ажыратылғанына көз жеткізіңіз.

- **Сурет4:** 1. Тұтқыш табаны 2. Тістері 3. Бүйірлік тұтқыш (көмекші тұтқа) 4. Дөңес 5. Босату 6. Бекіту

Жұмыс қауіпсіздігін қамтамасыз ету үшін әрқашан бүйірлік тұтқышты пайдаланыңыз. Бүйірлік тұтқышты тұтқышқа арналған тістер құрал өзегіндегі дөңес жерлер арасында орналасатындай етіп орнатыңыз. Содан кейін тұтқышты сағат тілімен бұрау арқылы қажетті күйде бекітіңіз. Оны кез келген күйде бекіту үшін, 360°-қа айналдыруға болады.

ЕСКЕРТПЕ: Бүйірлік тұтқышты тереңдік өлшегіш орнатылғаннан кейін, 360°-қа айналдыру мүмкін емес.

Бұрғылау қашауын орнату және алып тастау

▲ **САҚ БОЛЫҢЫЗ:**

- Қашауды орнату немесе алып тастау алдында құралдың өшірілгеніне және қуаттан ажыратылғанына көз жеткізіңіз.

► **Сурет5:** 1. Бұрғылау қысқысы 2. Қысқының бүйірлі кілті

Қашауды орнату үшін, қысқы ішіне барынша терең етіп орналастырыңыз. Қысқыны қолмен қысыңыз. Қысқының бүйірлік кілтін әр үш саңылауға орналастырып, сағат тілі бағытымен бекітіңіз. Барлық үш саңылауды міндетті түрде бірдей қысыңыз. Қашауды алып тастау үшін, тек бір саңылаудағы қысқының бүйірлік кілтін сағат тіліне қарсы бағытта бұрап, содан кейін қысқыны қолмен босатыңыз.

Қысқының бүйірлік кілтін пайдаланғаннан соң, оны міндетті түрде бастапқы күйге қайтарыңыз.

Тереңдік өлшегіш (қосымша керек-жарақ)

► **Сурет6:** 1. Бүйірлік тұтқыш 2. Тереңдік өлшегіш 3. Тұтқыш табаны 4. Алтықырлы болт

Тереңдік өлшегіш тереңдіктері бірдей саңылаулар бұрғылауға ыңғайлы болып табылады. Тереңдік өлшегішті келесі ретпен орнатыңыз.

1. Алтықырлы бұрандаманы босату үшін бүйірлік тұтқышты сағат тіліне қарсы бағытта бұраңыз.
2. Тереңдік өлшегішті енгізіп, саңылаудың тереңдігін реттеңіз.
3. Бүйірлік тұтқышты тереңдік өлшегіш пен тұтқыш табаны құрылғыда толығымен бекітілетіндей етіп, сағат тілі бағытымен бұраңыз.

ЕСКЕРТПЕ: Тереңдік өлшегішті құрал корпусын соғатындай күйде пайдалануға болмайды.

ПАЙДАЛАНУ

▲ **САҚ БОЛЫҢЫЗ:**


- Жұмыс жасау кезінде, әрқашан бүйірлік тұтқышты (көмекші тұтқа) пайдаланыңыз және тұтқыштың екі беті мен ауыстырып-қосқыштың тұтқасын мықтап ұстаңыз.

► **Сурет7**

Соқпалы бұрғылау жұмыстары

▲ **САҚ БОЛЫҢЫЗ:**


- Саңылау бұзылып жатқан сәтте саңылау жоңқа мен бөлшектерге толған кезде немесе соққылаушы шыбықты арматуралар бетонға кіріктірілген кезде, құралда қашауды кенеттен үлкен бұралу күші пайда болады. Жұмыс жасау кезінде, әрқашан бүйірлік тұтқышты (көмекші тұтқа) пайдаланыңыз және тұтқыштың екі беті мен ауыстырып-қосқыштың тұтқасын мықтап ұстаңыз. Өйтпесе құралды басқару мүмкіндігі жоғалып, ықтимал ауыр жарақат алуға себеп болуы мүмкін.

Бетон, гранит, тақтайшаларды және т.б. бұрғылау кезінде, "соққылау арқылы айналдыру" әрекетін қолдану үшін, әрекет ету режимінің тегітін  белігісінің күйіне жылжытыңыз. Міндетті түрде карбидті вольфраммен ұшталған қашауды пайдаланыңыз. Саңылау жоңқа немесе бөлшектерге толған кезде, көбірек қысым түсірмеңіз. Оның орнына, құралды бос жүріске салып, қашауды саңылаудан жартылай шығарып алыңыз. Осы әрекетті бірнеше рет қайталау арқылы, саңылау тазарады. Саңылауды бұрғылаудан кейін, үрлеуіш баллонды пайдаланып, саңылауды шаңнан тазалаңыз.

Бұрғылау жұмыстары

▲ **САҚ БОЛЫҢЫЗ:**

- Құрылғыны шамадан тыс басу бұрғылауды тездетпейді. Шындығында, шамадан тыс қысым тек қашауыңыздың ұшын зақымдайды, құралдың өнімділігін және құралдың қызмет ету мерзімін қысқартады.
- Саңылаудың бұзылуы кезінде құралға/қашауға орасан зор күш түсіріледі. Қашау өңдеу бөлшегін бұза бастағанда, құралды мықтап ұстаңыз және сақ болыңыз.
- Қыстырылып қалған қашауды кері қарай шығуы үшін реверсивті ауыстырып-қосқышты кері бағытта айналу күйіне орнату арқылы оңай шығарып алуға болады. Дегенмен құралды қатты ұстамасаңыз, кенеттен артқа ыршуы мүмкін.
- Кішкентай өңдеу бөлшегін әрқашан қысқышта немесе соған ұқсас ұстап тұратын құрылғымен бекітіңіз.

Ағаш, металл, пластик материалдарды және т.б. бұрғылау кезінде, "тек айналдыру" әрекетін қолдану үшін, әрекет ету режимінің тегітін  белігісінің күйіне жылжытыңыз.

Ағашта бұрғылау

Ағашта бұрғылау кезінде, бағыттаушы бұрандамен жабдықталған ағаш бұрғысы көмегімен жақсы нәтижеге қол жеткізуге болады. Бағыттаушы бұранда қашауды өңдеу бөлшегіне қарай тарту арқылы, бұрғылауды оңайлатады.

Металды бұрғылау

Саңылау жасауды бастау кезінде, қашаудың сырғуына жол бермеу үшін бұрғылау қажет нүктені балғамен ортасынан уру арқылы қуыс жасау қажет. Қашаудың ұшын қуысқа қойып, бұрғылауды бастаңыз. Металды бұрғылау кезінде кесу майын пайдаланыңыз. Құрғақ күйде бұрғылау қажет темір мен мыс ерекше жағдай болып табылады.

ТЕХНИКАЛЫҚ ҚЫЗМЕТ КӨРСЕТУ

⚠САҚ БОЛЫҢЫЗ:

- Құралмен жұмыс істемес бұрын, әрдайым құралдың өшірулі екендігіне және ажыратылғандығына көз жеткізіңіз.
- Жанармайды, бензинді, сұйылтқышты, спиртті немесе соған ұқсас заттарды ешқашан пайдаланбаңыз. Нәтижесінде түссіздену, бүліну немесе жарықтар пайда болуы мүмкін.

Өнімнің ҚАУІПСІЗДІГІ мен СЕНІМДІЛІГІН қамтамасыз ету үшін жөндеу жұмыстары, графитті қылшақты тексеру және алмастыру, кез келген басқа техникалық қызмет көрсету немесе реттеу жұмыстары Makita компаниясының өкілетті қызмет көрсету орталықтары тарапынан (Makita қосалқы бөлшектерін қолдана отырып) орындалуы керек.

Makita Corporation

3-11-8, Sumiyoshi-cho,
Anjo, Aichi 446-8502 Japan

www.makita.com

885429-782
EN, RU, KK
20181012