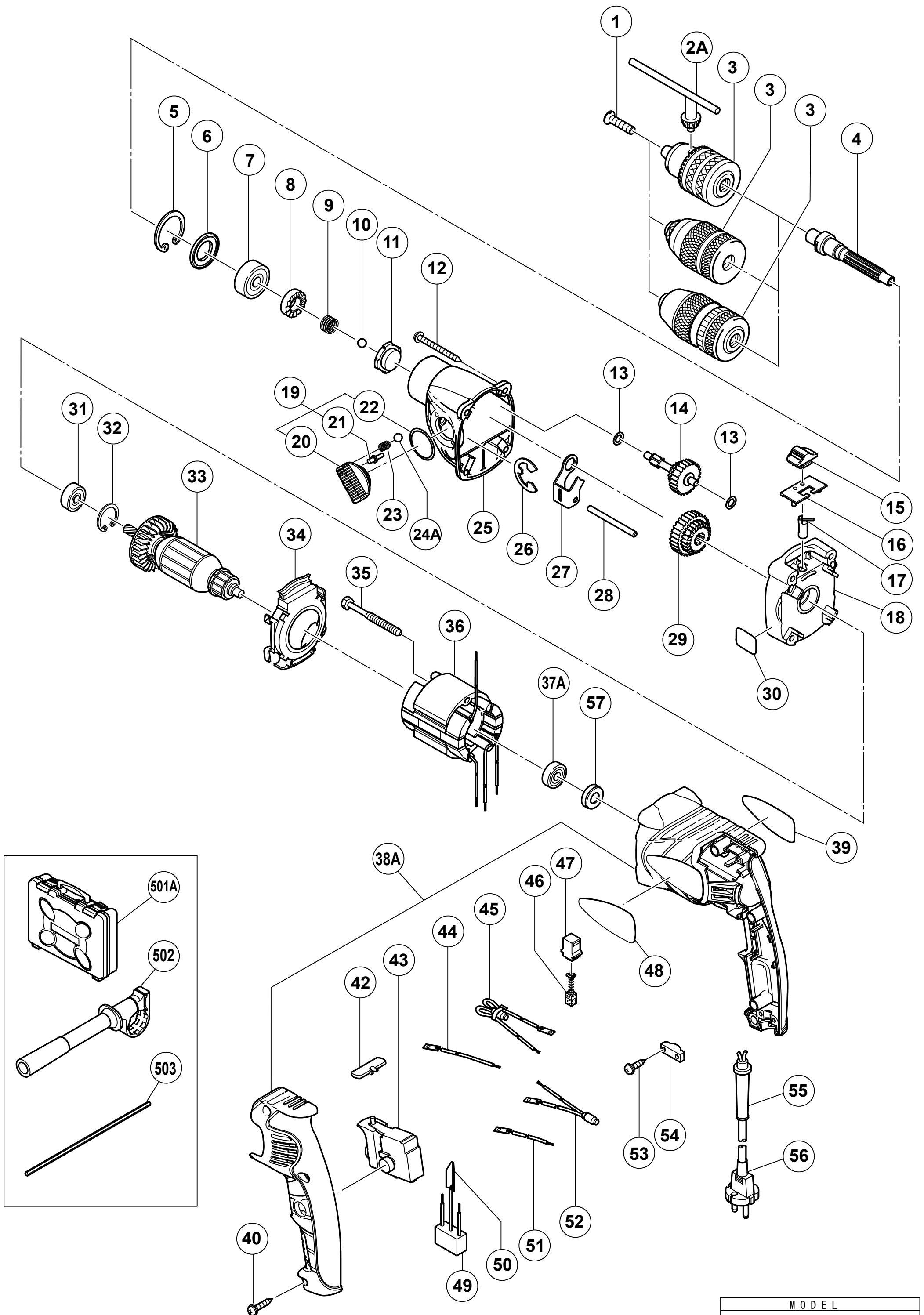


HIKOKI

IMPACT DRILL DV20VB2

Item No.	Code No.	Description	No. Used	Remarks
1	995344	FLAT HD. SCREW (A) (LEFT HAND) M6X25	1	
2A	303334	CHUCK HANDLE	1	
*3	321814	DRILL CHUCK 13VLRB-D	1	INCLUD.1,2A
*4	322857	SPINDLE (B)	1	
5	939556	RETAINING RING FOR D35 HOLE (10 PCS.)	1	
6	322851	DUST SEAL	1	
7	6202DD	BALL BEARING 6202DD	1	
8	322850	RATCHET (A)	1	
9	984101	SPRING (A)	1	
10	959150	STEEL BALL D6.35 (10 PCS.)	1	
11	322845	RATCHET (B)	1	
*12	316321	TAPPING SCREW (W/FLANGE) D5X45	4	
13	322852	WASHER (B)	2	
*14	322858	SECOND PINION AND GEAR SET	1	
15	322841	CHANGE LEVER	1	
16	322842	CHANGE COVER	1	
17	322840	CHANGE SHAFT	1	
*18	322859	INNER COVER (B)	1	
19	322847	SHIFT LEVER ASS'Y	1	
20			1	SHIFT LEVER
21	322848	SHIFT PIN	1	
22	306353	O-RING (S-22)	1	
23	981328	SPRING (H)	1	
24A	335299	STEEL BALL D3.5 (10 PCS.)	1	
25	322844	GEAR COVER (A) ASS'Y	1	INCLUD.11
26	323048	RETAINING RING (E-TYPE) FOR D15 SHAFT	1	
27	322849	SHIFT ARM	1	
*28	322860	PIN D5	1	
29	322846	GEAR SET	1	
31	608DDM	BALL BEARING 608DD	1	
32	939553	RETAINING RING FOR D22 HOLE (10 PCS.)	1	
*33	360652C	ARMATURE 110V	1	
*33	360652E	ARMATURE 230V	1	
34	322843	FAN GUIDE	1	
*36	340587C	STATOR 110V	1	
*36	340587E	STATOR 230V	1	
37A	698VVC	BALL BEARING 698VVC2	1	
38A	331663	HOUSING.HANDLE COVER SET	1	
39		NAME PLATE	1	
40	301653	TAPPING SCREW (W/FLANGE) D4X20 (BLACK)	3	
*43	322854	SWITCH (1P PILLAR TYPE)	1	
*45	322517	CHOKE COIL (BROWN) 220V-240V	1	EXCEPT FOR SIN,USA,CAN
*45	322518	CHOKE COIL (BROWN) 110V	1	FOR GBR (110V)
46	999041	CARBON BRUSH (1 PAIR)	2	
47	955203	BRUSH HOLDER	2	
48		BRAND LABEL	1	
*49	994273	NOISE SUPPRESSOR	1	EXCEPT FOR SIN,USA,CAN
*50	992635	EARTH TERMINAL	1	EXCEPT FOR SIN,USA,CAN
*52	321634	CHOKE COIL (BLUE) 110V-240V	1	EXCEPT FOR SIN,USA,CAN
*52	322519	CHOKE COIL (BLUE) 110V	1	FOR GBR (110V)
53	984750	TAPPING SCREW (W/FLANGE) D4X16	2	
54	937631	CORD CLIP	1	
55	953327	CORD ARMOR D8.8	1	

* ALTERNATIVE PARTS



MODEL
DV20VB2