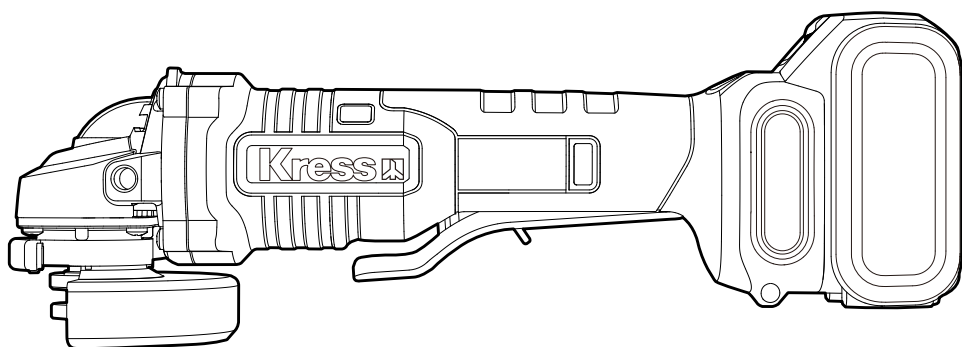


Kress



Paddle switch brushless angle grinder

EN

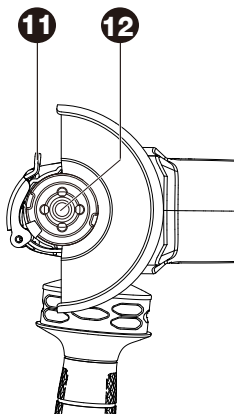
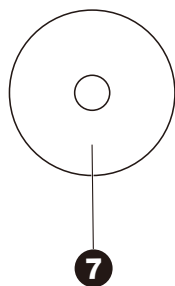
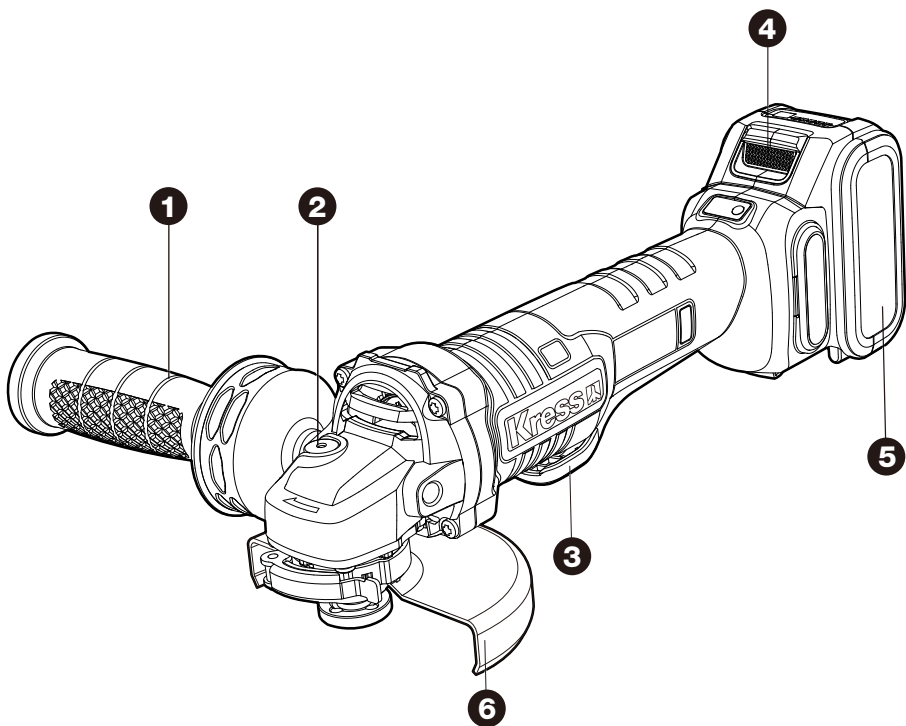
P06

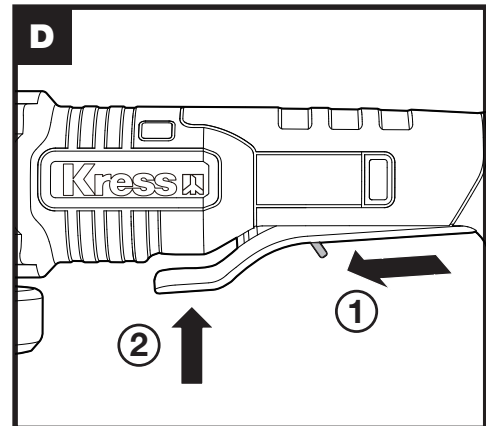
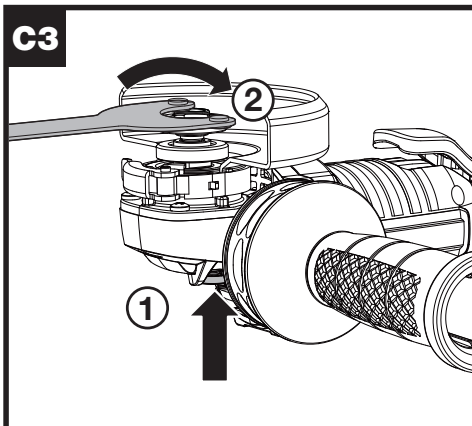
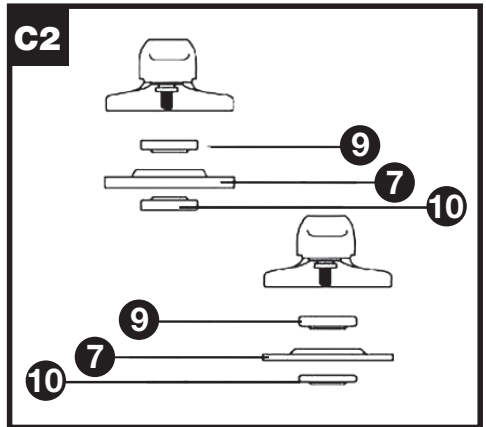
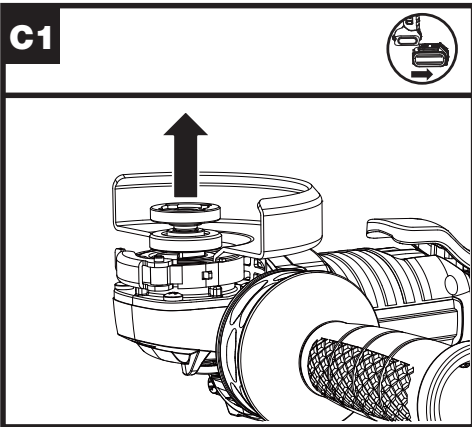
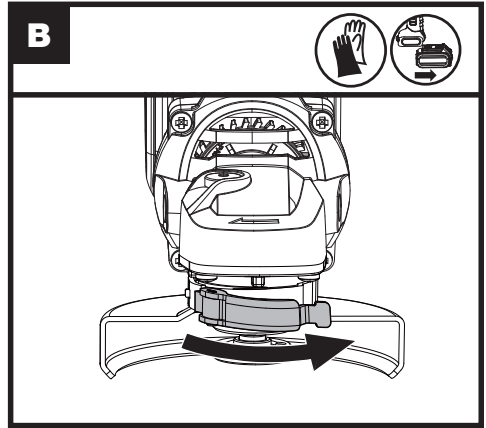
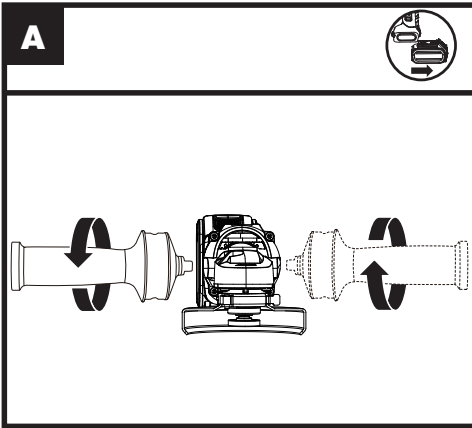
Аккумуляторная бесщеточная угловая шлифмашина

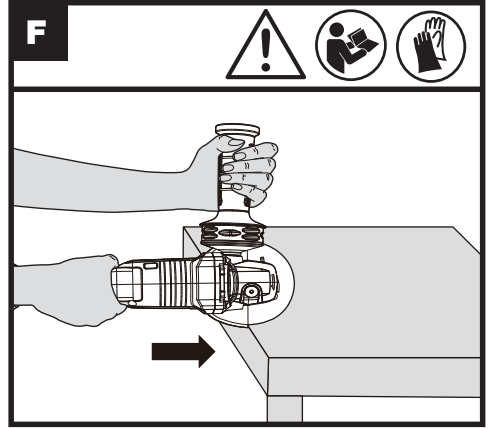
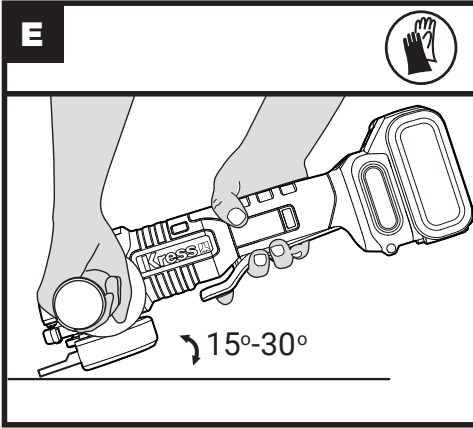
RU

P13

KUH04 KUH04.X








ORIGINAL INSTRUCTIONS

PRODUCT SAFETY

GENERAL POWER TOOL

SAFETY WARNINGS

 **WARNING** Read all safety warnings, instructions, illustrations and specifications provided with this power tool. Failure to follow all instructions listed below may result in electric shock, fire and/or serious injury.

Save all warnings and instructions for future reference.

The term "power tool" in the warnings refers to your mains-operated (corded) power tool or battery-operated (cordless) power tool.

1) Work area safety

- a) **Keep work area clean and well lit.** Cluttered or dark areas invite accidents.
- b) **Do not operate power tools in explosive atmospheres, such as in the presence of flammable liquids, gases or dust.** Power tools create sparks which may ignite the dust or fumes.
- c) **Keep children and bystanders away while operating a power tool.** Distractions can cause you to lose control.

2) Electrical safety

- a) **Power tool plugs must match the outlet. Never modify the plug in any way. Do not use any adapter plugs with earthed (grounded) power tools.** Unmodified plugs and matching outlets will reduce risk of electric shock.
- b) **Avoid body contact with earthed or grounded surfaces, such as pipes, radiators, ranges and refrigerators.** There is an increased risk of electric shock if your body is earthed or grounded.
- c) **Do not expose power tools to rain or wet conditions.** Water entering a power tool will increase the risk of electric shock.
- d) **Do not abuse the cord. Never use the cord for carrying, pulling or unplugging the power tool. Keep cord away from heat, oil, sharp edges or moving parts.** Damaged or entangled cords increase the risk of electric shock.
- e) **When operating a power tool outdoors, use an extension cord suitable for outdoor use.** Use of a cord suitable for outdoor use reduces the risk of electric shock.
- f) **If operating a power tool in a damp location is unavoidable, use a residual current device (RCD) protected supply.** Use of an RCD reduces the risk of electric shock.

3) Personal safety

- a) **Stay alert, watch what you are doing and use common sense when operating a power tool. Do not use a power tool while you are tired or under the influence of drugs, alcohol or medication.** A moment of

inattention while operating power tools may result in serious personal injury.

- b) **Use personal protective equipment. Always wear eye protection.** Protective equipment such as dust mask, non-skid safety shoes, hard hat, or hearing protection used for appropriate conditions will reduce personal injuries.
- c) **Prevent unintentional starting. Ensure the switch is in the off-position before connecting to power source and/or battery pack, picking up or carrying the tool.** Carrying power tools with your finger on the switch or energising power tools that have the switch on invites accidents.
- d) **Remove any adjusting key or wrench before turning the power tool on.** A wrench or a key left attached to a rotating part of the power tool may result in personal injury.
- e) **Do not overreach. Keep proper footing and balance at all times.** This enables better control of the power tool in unexpected situations.
- f) **Dress properly. Do not wear loose clothing or jewellery. Keep your hair and clothing away from moving parts.** Loose clothes, jewellery or long hair can be caught in moving parts.
- g) **If devices are provided for the connection of dust extraction and collection facilities, ensure these are connected and properly used.** Use of dust collection can reduce dust-related hazards.
- h) **Do not let familiarity gained from frequent use of tools allow you to become complacent and ignore tool safety principles.** A careless action can cause severe injury within a fraction of a second.
- 4) **Power tool use and care**
 - a) **Do not force the power tool. Use the correct power tool for your application.** The correct power tool will do the job better and safer at the rate for which it was designed.
 - b) **Do not use the power tool if the switch does not turn it on and off.** Any power tool that cannot be controlled with the switch is dangerous and must be repaired.
 - c) **Disconnect the plug from the power source and/or remove the battery pack, if detachable, from the power tool before making any adjustments, changing accessories, or storing power tools.** Such preventive safety measures reduce the risk of starting the power tool accidentally.
 - d) **Store idle power tools out of the reach of children and do not allow persons unfamiliar with the power tool or these instructions to operate the power tool.** Power tools are dangerous in the hands of untrained users.
 - e) **Maintain power tools and accessories. Check for misalignment or binding of moving parts, breakage of parts and any other condition that may affect the power tool's operation. If damaged, have the power tool repaired before use.** Many

accidents are caused by poorly maintained power tools.

- f) **Keep cutting tools sharp and clean.**
Properly maintained cutting tools with sharp cutting edges are less likely to bind and are easier to control.
- g) **Use the power tool, accessories and tool bits etc. in accordance with these instructions, taking into account the working conditions and the work to be performed.** *Use of the power tool for operations different from those intended could result in a hazardous situation.*
- h) **Keep handles and grasping surfaces dry, clean and free from oil and grease.**
Slippery handles and grasping surfaces do not allow for safe handling and control of the tool in unexpected situations.
- 5) **Battery tool use and care**
 - a) **Recharge only with the charger specified by the manufacturer.** *A charger that is suitable for one type of battery pack may create a risk of fire when used with another battery pack.*
 - b) **Use power tools only with specifically designated battery packs.** *Use of any other battery packs may create a risk of injury and fire.*
 - c) **When battery pack is not in use, keep it away from other metal objects, like paper clips, coins, keys, nails, screws or other small metal objects, that can make a connection from one terminal to another.** *Shorting the battery terminals together may cause burns or a fire.*
 - d) **Under abusive conditions, liquid may be ejected from the battery; avoid contact. If contact accidentally occurs, flush with water. If liquid contacts eyes, additionally seek medical help.** *Liquid ejected from the battery may cause irritation or burns.*
 - e) **Do not use a battery pack or tool that is damaged or modified.** *Damaged or modified batteries may exhibit unpredictable behaviour resulting in fire, explosion or risk of injury.*
 - f) **Do not expose a battery pack or tool to fire or excessive temperature.** *Exposure to fire or temperature above 130 °C may cause explosion.*
 - g) **Follow all charging instructions and do not charge the battery pack or tool outside the temperature range specified in the instructions.** *Charging improperly or at temperatures outside the specified range may damage the battery and increase the risk of fire.*
- 6) **Service**
 - a) **Have your power tool serviced by a qualified repair person using only identical replacement parts.** *This will ensure that the safety of the power tool is maintained.*
 - b) **Never service damaged battery packs.** *Service of battery packs should only be performed by the manufacturer or authorized service providers.*

SAFETY INSTRUCTIONS FOR ALL OPERATIONS

Safety Warnings Common for Grinding or Cutting-Off Operations:

- a) **This power tool is intended to function as a grinder, hole cutter or cut-off tool. Read all safety warnings, instructions, illustrations and specifications provided with this power tool.** *Failure to follow all instructions listed below may result in electric shock, fire and/or serious injury.*
- b) **Operations such as sanding, wire brushing, polishing are not recommended to be performed with this power tool.** *Operations for which the power tool was not designed may create a hazard and cause personal injury.*
- c) **Do not convert this power tool to operate in a way which is not specifically designed and specified by the tool manufacturer.** *Such a conversion may result in a loss of control and cause serious personal injury.*
- d) **Do not use accessories which are not specifically designed and recommended by the tool manufacturer.** *Just because the accessory can be attached to your power tool, it does not assure safe operation.*
- e) **The rated speed of the accessory must be at least equal to the maximum speed marked on the power tool.** *Accessories running faster than their rated speed can break and fly apart.*
- f) **The outside diameter and the thickness of your accessory must be within the capacity rating of your power tool.** *Incorrectly sized accessories cannot be adequately guarded or controlled.*
- g) **The dimensions of the accessory mounting must fit the dimensions of the mounting hardware of the power tool.** *Accessories that do not match the mounting hardware of the power tool will run out of balance, vibrate excessively and may cause loss of control.*
- h) **Do not use a damaged accessory. Before each use inspect the accessory such as abrasive wheels for chips and cracks, backing pad for cracks, tear or excess wear, wire brush for loose or cracked wires. If power tool or accessory is dropped, inspect for damage or install an undamaged accessory. After inspecting and installing an accessory, position yourself and bystanders away from the plane of the rotating accessory and run the power tool at maximum no-load speed for one minute.** *Damaged accessories will normally break apart during this test time.*
- i) **Wear personal protective equipment. Depending on application, use face shield, safety goggles or safety glasses. As appropriate, wear dust mask, hearing protectors, gloves and workshop apron capable of stopping small abrasive or workpiece fragments.** *The eye protection must be capable of stopping flying debris generated by various operations. The dust mask or respirator must be capable of filtrating particles generated*

by your operation. Prolonged exposure to high intensity noise may cause hearing loss.

- j) **Keep bystanders a safe distance away from work area. Anyone entering the work area must wear personal protective equipment.** Fragments of workpiece or of a broken accessory may fly away and cause injury beyond immediate area of operation.
- k) **Hold the power tool by insulated gripping surfaces only, when performing an operation where the cutting tool may contact hidden wiring.** Contact with a “live” wire will also make exposed metal parts of the power tool “live” and could give the operator an electric shock.
- l) **Never lay the power tool down until the accessory has come to a complete stop.** The spinning accessory may grab the surface and pull the power tool out of your control.
- m) **Do not run the power tool while carrying it at your side.** Accidental contact with the spinning accessory could snag your clothing, pulling the accessory into your body.
- n) **Regularly clean the power tool's air vents.** The motor's fan will draw the dust inside the housing and excessive accumulation of powdered metal may cause electrical hazards.
- o) **Do not operate the power tool near flammable materials.** Sparks could ignite these materials.
- p) **Do not use accessories that require liquid coolants.** Using water or other liquid coolants may result in electrocution or shock.
- q) Your hand must hold on the handle when you are working. Always use the auxiliary handles supplied with the tool. Loss of control can cause personal injury.

FURTHER SAFETY INSTRUCTIONS FOR ALL OPERATIONS

Kickback and Related Warnings

Kickback is a sudden reaction to a pinched or snagged rotating wheel, backing pad, brush or any other accessory. Pinching or snagging causes rapid stalling of the rotating accessory which in turn causes the uncontrolled power tool to be forced in the direction opposite of the accessory's rotation at the point of the binding.

For example, if an abrasive wheel is snagged or pinched by the workpiece, the edge of the wheel that is entering into the pinch point can dig into the surface of the material causing the wheel to climb out or kick out. The wheel may either jump toward or away from the operator, depending on direction of the wheel's movement at the point of pinching. Abrasive wheels may also break under these conditions.

Kickback is the result of power tool misuse and/or incorrect operating procedures or conditions and can be avoided by taking proper precautions as given below.

- a) **Maintain a firm grip with both hands on the power tool and position your body and arms to allow you to resist kickback**

- forces. Always use auxiliary handle, if provided, for maximum control over kickback or torque reaction during start-up.** The operator can control torque reactions or kickback forces, if proper precautions are taken.
- b) **Never place your hand near the rotating accessory.** Accessory may kickback over your hand.
- c) **Do not position your body in the area where power tool will move if kickback occurs.** Kickback will propel the tool in direction opposite to the wheel's movement at the point of snagging.
- d) **Use special care when working corners, sharp edges etc. Avoid bouncing and snagging the accessory.** Corners, sharp edges or bouncing have a tendency to snag the rotating accessory and cause loss of control or kickback.
- e) **Do not attach a saw chain woodcarving blade, segmented diamond wheel with a peripheral gap greater than 10 mm or toothed saw blade.** Such blades create frequent kickback and loss of control.

SAFETY WARNINGS SPECIFIC FOR GRINDING AND CUTTING-OFF OPERATIONS:

- a) **Use only wheel types that are specified for your power tool and the specific guard designed for the selected wheel.** Wheels for which the power tool was not designed cannot be adequately guarded and are unsafe.
- b) **The grinding surface of centre depressed wheels must be mounted below the plane of the guard lip.** An improperly mounted wheel that projects through the plane of the guard lip cannot be adequately protected.
- c) **The guard must be securely attached to the power tool and positioned for maximum safety, so the least amount of wheel is exposed towards the operator.** The guard helps to protect operator from broken wheel fragments and accidental contact with wheel and sparks that could ignite clothing.
- d) **Wheels must be used only for recommended applications. For example: do not grind with the side of cut-off wheel.** Abrasive cut-off wheels are intended for peripheral grinding, side forces applied to these wheels may cause them to shatter.
- e) **Always use undamaged wheel flanges that are of correct size and shape for your selected wheel.** Proper wheel flanges support the wheel thus reducing the possibility of wheel breakage. Flanges for cut-off wheels may be different from grinding wheel flanges.
- f) **Do not use worn down wheels from larger power tools.** Wheel intended for larger power tool is not suitable for the higher speed of a smaller tool and may burst.
- g) **When using dual purpose wheels always**

use the correct guard for the application being performed. Failure to use the correct guard may not provide the desired level of guarding, which could lead to serious injury.

- h) Warning! Grinding thin sheets of metal or other easily vibrating structures with a large surface can result in a total noise emission much higher (up to 15 dB) than the declared noise emission values. Such workpieces should as far as possible be prevented from emitting sound by suitable measures such as the application of heavy flexible damping mats. The increased noise emission is also to be considered for both the risk assessment of noise exposure and selecting adequate hearing protection.**

ADDITIONAL SAFETY INSTRUCTIONS FOR CUTTING-OFF OPERATIONS

Additional safety warnings specific for cutting-off operations:












- a) Do not “jam” the cut-off wheel or apply excessive pressure. Do not attempt to make an excessive depth of cut.**
Overstressing the wheel increases the loading and susceptibility to twisting or binding of the wheel in the cut and the possibility of kickback or wheel breakage.
- b) Do not position your body in line with and behind the rotating wheel.** *When the wheel, at the point of operation, is moving away from your body, the possible kickback may propel the spinning wheel and the power tool directly at you.*
- c) When wheel is binding or when interrupting a cut for any reason, switch off the power tool and hold the power tool motionless until the wheel comes to a complete stop. Never attempt to remove the cut-off wheel from the cut while the wheel is in motion otherwise kickback may occur.** *Investigate and take corrective action to eliminate the cause of wheel binding.*
- d) Do not restart the cutting operation in the workpiece. Let the wheel reach full speed and carefully re-enter the cut.** *The wheel may bind, walk up or kickback if the power tool is restarted in the workpiece.*
- e) Support panels or any oversized workpiece to minimize the risk of wheel pinching and kickback.** *Large workpieces tend to sag under their own weight. Supports must be placed under the workpiece near the line of cut and near the edge of the workpiece on both sides of the wheel.*
- f) Use extra caution when making a “pocket cut” into existing walls or other blind areas.** *The protruding wheel may cut gas or water pipes, electrical wiring or objects that can cause kickback.*
- g) Do not attempt to do curved cutting.**

Overstressing the wheel increases the loading and susceptibility to twisting or binding of the wheel in the cut and the possibility of kickback or wheel breakage, which can lead to serious injury.

SAFETY WARNINGS FOR BATTERY PACK

- a) Do not dismantle, open or shred cells or battery pack.**
- b) Do not short-circuit a battery pack. Do not store battery packs haphazardly in a box or drawer where they may short-circuit each other or be short-circuited by conductive materials.** When battery pack is not in use, keep it away from other metal objects, like paper clips, coins, keys, nails, screws or other small metal objects, that can make a connection from one terminal to another. Shorting the battery terminals together may cause burns or a fire.
- c) Do not expose battery pack to heat or fire. Avoid storage in direct sunlight.**
- d) Do not subject battery pack to mechanical shock.**
- e) In the event of battery leaking, do not allow the liquid to come into contact with the skin or eyes. If contact has been made, wash the affected area with copious amounts of water and seek medical advice.**
- f) Keep battery pack clean and dry.**
- g) Wipe the battery pack terminals with a clean dry cloth if they become dirty.**
- h) Battery pack needs to be charged before use. Always refer to this instruction and use the correct charging procedure.**
- i) Do not maintain battery pack on charge when not in use.**
- j) After extended periods of storage, it may be necessary to charge and discharge the battery pack several times to obtain maximum performance.**
- k) Recharge only with the charger specified by Kress. Do not use any charger other than that specifically provided for use with the equipment.**
- l) Do not use any battery pack which is not designed for use with the equipment.**
- m) Keep battery pack out of the reach of children.**
- n) Retain the original product literature for future reference.**
- o) Remove the battery from the equipment when not in use.**
- p) Dispose of properly.**
- q) Do not mix cells of different manufacture, capacity, size or type within a device.**
- r) Keep the battery away from microwaves and high pressure.**
- s) Warning! Do not use non-rechargeable batteries.**

SYMBOLS

	To reduce the risk of injury, user must read instruction manual
	Warning
	Wear ear protection
	Wear eye protection
	Wear dust mask
	Batteries may enter water cycle if disposed improperly, which can be hazardous for ecosystem. Do not dispose of waste batteries as unsorted municipal waste.
	Do not burn
	Li-Ion battery. This product has been marked with a symbol relating to 'separate collection' for all battery packs and battery pack. It will then be recycled or dismantled in order to reduce the impact on the environment. Battery packs can be hazardous for the environment and for human health since they contain hazardous substances.
	Make sure the battery is removed prior to changing accessories.
	Always operate with two hands
	Wear protective gloves.


COMPONENT LIST

1.	SHOCK ABSORPTION GRIP
2.	SPINDLE LOCK BUTTON
3.	ON/OFF SWITCH
4.	BATTERY PACK RELEASE BUTTON*
5.	BATTERY PACK*
6.	WHEEL GUARD FOR GRINDING
7.	DISC *
8.	SPANNER
9.	INNER FLANGE
10.	OUTER FLANGE
11.	QUICK-RELEASE WHEEL GUARD LOCK HANDLE
12.	SPINDLE

* Not all the accessories illustrated or described are included in standard delivery.

TECHNICAL DATA

Type **KUH04 KUH04.X (H04 - designation of machinery, representative of angle grinder)**

	KUH04 KUH04.X**
Rated voltage	20V  Max***
No load speed	3500/6000/8500/min
Disc size	125mm
Disc bore	22.23mm
Spindle thread	M14
Weight (bare tool)	1.4kg

** X=1-999, A-Z, M1-M9 there are only used for different customers, there are no safe relevant changes between these models

*** Voltage measured without workload. Initial battery voltage reaches maximum of 20 volts. Nominal voltage is 18 volts

SUGGESTED BATTERIES AND CHARGERS

Category	Type	Capacity
20V Battery	KAB21	4.0Ah
20V Charger	KAC20	2A
	KAC21	6A

We recommend that you purchase your accessories listed in the above list from the same store that sold you the tool. Refer to the accessory packaging for further details. Store personnel can assist you and offer advice.

OPERATING INSTRUCTIONS




Note: Before using the tool, read the instruction book carefully.

INTENDED USE

The machine is intended for cutting, roughing and brushing metal and stone materials without using water. For cutting metal, a special protection guard for cutting (accessory) must be used.

ASSEMBLY AND OPERATION

ACTION	FIGURE
ASSEMBLY	
Assembling Auxiliary Handle	See Fig. A
Adjusting Wheel Guard Note: Before any work on the machine itself, remove the battery pack. For work with grinding or cutting discs, the protection guard must be mounted. Use the correct type of disc for your application. Place the wheel guard into the groove of spindle collar and rotate it to the desired working position. Press down the handle on the wheel guard tightly and securely lock the wheel guard.	See Fig. B
The grinding disc should be able to rotate freely inside the guard. The closed side of the wheel guard must always point to the operator.	See Fig. B
Assembling Grinding/Cutting Disc	See Fig. C1,C2,C3
OPERATION	

Using On/Off Switch To start the tool, close the safety lever of the switch and then press the switch; keep pressing the switch for continuous operation. To stop the tool, release the switch.	See Fig. D
Hand Grip Areas	See Fig. E
Rough Grinding  Warning! Never use a cutting disc for roughing.	
Cutting	See Fig. F

WORKING HINTS FOR YOUR ANGLE GRINDER

- Always start at no load to achieve maximum speed then start working.
- Do not force the disc to work faster, reducing the Disc's moving speed means longer working time.
- Always work with a 15-30 angle between disc and workpiece. Larger angles will cut ridges into the workpiece and affect the surface finish. Move the angle grinder across and back and forth over the workpiece.
- When using a cutting disc never change the cutting angle otherwise you will stall the disc and angle grinder motor or break the disc. When cutting, only cut in the opposite direction to the disc rotation. If you cut in the same direction as the disc rotation the disc may push itself out of the cut slot.
- When cutting very hard material best results can be achieved with a diamond disc.
- When using a diamond disc it will become very hot. If this happens you will see a full ring of sparks around the rotating disc. Stop cutting and allow to cool at no load speed for 2-3 minutes.
- Always ensure the workpiece is firmly held or clamped to prevent movement.

MAINTENANCE

Remove the battery before carrying out any adjustment, servicing or maintenance.

There are no user serviceable parts in your power tool. Never use water or chemical cleaners to clean your power tool. Wipe clean with a dry cloth. Always store your power tool in a dry place. Keep the motor ventilation slots clean. Keep all working controls free of dust. Occasionally you may see sparks through the ventilation slots. This is normal and will not damage your power tool.

TROUBLESHOOTING

Although your new angle grinder is really very simple to operate, if you do experience problems, please check the following:

1. If your grinder wheel wobbles or vibrates, check that outer flange is tight; check that the wheel is correctly located on the flange plate.
2. If there is any evidence that the wheel is damaged do not use as the damaged wheel may disintegrate, remove it and replace with a new wheel. Dispose of old wheels sensibly.
3. If working on aluminum or a similar soft alloy, the wheel will soon become clogged and will not grind effectively.

FOR BATTERY TOOLS

The operating temperature of tools and battery is -20°C - 60°C .

The storage temperature of tools and battery is 0°C - 45°C .

The recommended ambient temperature range for the charging system during charging is 0°C - 40°C .

ENVIRONMENTAL PROTECTION




Disposal

The machine, its accessories and packaging materials should be sorted for environmentally friendly recycling.

The plastic components are labeled for categorized recycling.

БЕЗОПАСНОСТЬ ИЗДЕЛИЯ ОБЩИЕ ПРАВИЛА ТЕХНИКИ БЕЗОПАСНОСТИ ПРИ РАБОТЕ С ЭЛЕКТРОИНСТРУМЕНТОМ

 **ПРЕДОСТЕРЕЖЕНИЕ!** Внимательно ознакомьтесь с инструкциями и предостережениями по технике безопасности. Невыполнение всех нижеприведенных инструкций и рекомендаций может привести к поражению электрическим током, пожару и серьезным травмам.

Сохраните все предостережения и инструкции для дальнейшего пользования.

В дальнейшем термин “электроинструмент” используется как для работающего от сети (проводного) электроинструмента, так и для электроинструмента, работающего от аккумулятора (беспроводного).

1. БЕЗОПАСНОСТЬ НА РАБОЧЕМ МЕСТЕ

- a) **Содержите рабочее место в чистоте и хорошо освещенным.** Загроможденные и плохо освещенные зоны способствуют возникновению несчастных случаев.
- b) **Не работайте с инструментом во взрывоопасной атмосфере, в присутствии воспламеняемых жидкостей, газов или пыли.** Возникающие при работе электроинструмента искры могут привести к воспламенению горючих веществ.
- c) **При работе с инструментом дети и посторонние должны находиться на безопасном расстоянии.** Отвлечение внимания может привести к потере вами контроля.

2. ЭЛЕКТРОБЕЗОПАСНОСТЬ

- a) **Штепсельные вилки электроинструментов должны соответствовать розеткам. Никогда никоим образом не изменяйте соединительную вилку. При заземленных электроинструментах не используйте никаких переходников.** Неизменные вилки и соответствующие розетки снижают риск поражения электротоком.
- b) **Избегайте физического контакта с заземленными поверхностями, такими, как трубы, радиаторы, плиты и холодильники.** Риск поражения электротоком повышается, если ваше тело будет заземлено.
- c) **Не подвергайте электроинструменты воздействию дождя или высокой влажности.** Попадание воды в электроинструмент повышает опасность поражения электротоком.

- d) **Правильно обращайтесь с электрокабелем. Никогда не используйте кабель для переноски электроинструмента, а также не тяните за кабель для выключения из розетки. Держите кабель на безопасном расстоянии от источников тепла, масла, острых кромок и движущихся частей.** Поврежденные или запущенные кабели повышают риск поражения электротоком.
- e) **При работе с электроинструментом вне помещений используйте удлинители, которые предназначены для работы на открытом воздухе.** Это снижает риск поражения электротоком.
- f) **При использовании электроинструмента во влажном помещении его необходимо подключать к электросети через устройство защитного отключения (УЗО).** Использование УЗО снижает риск поражения электротоком.

3. ЛИЧНАЯ БЕЗОПАСНОСТЬ

- a) **Будьте внимательны: следите за тем, что вы делаете, и руководствуйтесь здравым смыслом, работая с электроинструментом. Не используйте электроинструмент, если вы устали или находитесь под воздействием сильнодействующих средств, алкоголя или медикаментов.** Потеря внимания даже на короткое мгновение при работе с электроинструментом может привести к серьезным травмам.
- b) **Используйте индивидуальные средства защиты. Всегда надевайте средства защиты глаз.** Такие средства защиты, как респиратор, нескользкая защитная обувь, каска или защитные наушники, используемые в соответствующих условиях, снижают риск получения травм.
- c) **Предотвращайте случайный запуск электроинструмента. Убедитесь, что выключатель находится в положении "Выключено" перед подключением к электросети и / или аккумуляторной батарее, сборкой или переносом электроинструмента.** Переноска инструмента с пальцем на кнопке пуска или включение в сеть электроинструмента с включенным выключателем способствует несчастному случаю.
- d) **Удаляйте все регулировочные приспособления или гаечные ключи перед включением электроинструмента.** Оставленные на вращающихся деталях электроинструмента, они могут привести к травме.
- e) **Не перенапрягайтесь. Постоянно занимайте устойчивое положение и поддерживайте равновесие.** Это позволяет лучше контролировать электроинструмент в непредвиденных ситуациях.

- f) **Одевайтесь надлежащим образом. Не надевайте свободную одежду или украшения. Держите волосы, одежду и перчатки на расстоянии от движущихся частей.** Свободную одежду, украшения или длинные волосы может затянуть в движущиеся части.
- g) **Используйте предусмотренные средства и устройства для сбора и удаления пыли, если инструмент оснащен таковыми.** Использование таких средств может снизить опасности, связанные с пылью.
- h) **Не позволяйте осведомленности, полученной в результате частого использования инструментов, заставить вас расслабиться и игнорировать принципы техники безопасности при работе с инструментом.** Неосторожное действие может привести к серьезным травмам в течение доли секунды.

4. ИСПОЛЬЗОВАНИЕ ЭЛЕКТРОИНСТРУМЕНТА И УХОД ЗА НИМ

- a) **Не перегружайте электроинструмент. Используйте подходящий инструмент для каждой определенной цели.** Правильно подобранный электроинструмент выполнит работу лучше и надежнее на уровне, для которого он предназначен.
- b) **Не используйте электроинструмент, если выключатель невозможно включить или выключить.** Любой электроинструмент, который невозможно контролировать выключателем, представляет опасность и должен быть отремонтирован.
- c) **Отсоедините штепсель от электросети и / или аккумуляторную батарею от электроинструмента перед проведением каких-либо настроек, сменой насадок или хранением электроинструмента.** Подобные предохранительные меры снижают опасность случайного пуска электроинструмента.
- d) **Храните не использующиеся электроинструменты в местах, недоступных для детей. Не разрешайте работать с электроинструментом лицам, которые не знают его особенностей или не ознакомлены с данной инструкцией.** Электроинструменты в руках необученных пользователей представляют опасность.
- e) **Поддерживайте электроинструмент в исправном состоянии. Проворачивайте инструмент на предмет смещения или заедания движущихся частей, поломки деталей или любых иных неисправностей, могущих повлиять на работу электроинструмента. В случае повреждения следует отремонтировать электроинструмент перед применением.** Многие несчастные случаи вызваны плохим уходом за электроинструментом.

- f) **Режущий инструмент должен быть заточенным и чистым.** При поддержании режущих инструментов в надлежащем состоянии и с острыми режущими кромками вероятность их заклинивания уменьшается и ими легче управлять.
- g) **Используйте электроинструмент, принадлежности, сверла и т. п. в соответствии с данными инструкциями, специфичной конкретного типа электроинструмента, учитывая условия работы и выполняемую задачу.** Использование электроинструмента для иных операций, помимо тех, для которых он предназначен, может привести к возникновению опасной ситуации.
- h) **Ручки и поверхности для захвата должны быть сухими, чистыми и без следов масла и смазки.** Скользкие ручки и поверхности для захвата не позволяют безопасно обращаться с инструментом и контролировать его в непредвиденных ситуациях.

5. ИСПОЛЬЗОВАНИЕ АККУМУЛЯТОРНОГО ИНСТРУМЕНТА И УХОД ЗА НИМ

- a) **Производите подзарядку аккумулятора только при помощи оригинального зарядного устройства.** Зарядное устройство, которое подходит для одного типа аккумуляторной батареи, может привести к пожару, когда используется с другим типом аккумуляторной батареи.
- b) **Используйте аккумуляторный инструмент только с оригинальными аккумуляторами.** Использование любого другого типа аккумулятора может привести к травме или пожару.
- c) **Неиспользуемые аккумуляторные батареи храните отдельно от металлических предметов, таких как скрепки для бумаги, монеты, ключи, гвозди, винты и тому подобное, которые могут замкнуть контакты батареи.** Замыкание контактов аккумуляторной батареи может привести к ожогам или пожару.
- d) **В критических ситуациях из аккумулятора может вытекать жидкость – избегайте контакта с ней. Если жидкость все же попала на поверхность кожи, смойте ее большим количеством воды. При попадании жидкости в глаза срочно обратитесь за медицинской помощью.** Жидкость, вытекающая из аккумулятора, может вызвать раздражение или ожоги.
- e) **Не используйте аккумуляторную батарею или инструмент, который поврежден или модифицирован.** Поврежденные или модифицированные аккумуляторные батареи могут срабатывать непредсказуемым образом, что может привести к пожару, взрыву или риску получения травмы.

- f) **Не подвергайте аккумуляторную батарею или инструмент воздействию огня или чрезмерно высокой температуры.** Воздействие огня или температуры выше 130 °C может привести к взрыву.
- g) **Следуйте всем инструкциям по зарядке и не заряжайте аккумулятор или инструмент вне диапазона температур, указанного в инструкциях.** Неправильная зарядка или температура, выходящая за пределы указанного диапазона, может повредить аккумулятор и повысить риск возгорания.

6. СЕРВИСНОЕ ОБСЛУЖИВАНИЕ

- a) **Ремонт электроинструмента должен выполняться квалифицированным персоналом с использованием только оригинальных запасных частей.** Это гарантирует безопасность его использования.
- b) **Никогда не обслуживайте поврежденные аккумуляторы.** Обслуживание аккумуляторных батарей должно выполняться только производителем или авторизованными поставщиками сервисных услуг.

ИНСТРУКЦИИ ПО БЕЗОПАСНОСТИ ДЛЯ ВСЕХ ВИДОВ РАБОТ:

Общие меры предосторожности при выполнении шлифовальных и отрезных работ:

- a) **Этот электроинструмент предназначен для работы в качестве шлифовальной машины.** Прочитайте все предупреждения, инструкции по технике безопасности, иллюстрации и спецификации, прилагаемые к этому электроинструменту. *Невыполнение всех перечисленных ниже инструкций может привести к поражению электрическим током, пожару и / или серьезным травмам.*
- b) **Данный электроинструмент не рекомендуется использовать для выполнения таких операций, как шлифование, щеточная очистка, полировка.** *Выполнение операций, для которых электроинструмент не предназначен, может создать опасную ситуацию и стать причиной травмы.*
- c) **Не модифицируйте данный электроинструмент для выполнения работы, для которой он не предназначен и которая не заявлена производителем инструмента.** *Такая модификация может привести к потере управления и серьезной травме.*
- d) **Не используйте аксессуары, которые не были специально разработаны и рекомендованы производителем инструмента.** *Тот факт, что аксессуар может быть закреплен на вашем электроинструменте, еще не гарантирует*

его безопасное использование.

- e) **Номинальная скорость вращения аксессуара должна быть как минимум равна максимальной скорости, указанной на электроинструменте.** *Аксессуары, вращающиеся быстрее указанной номинальной скорости, могут оторваться и отлететь.*
- f) **Наружный диаметр и толщина вашего аксессуара должны соответствовать номинальной мощности электроинструмента.** *Неправильно подобранные аксессуары не могут быть должным образом закрыты предохранительным устройством или правильно контролироваться.*
- g) **Размеры крепления принадлежностей должны соответствовать размерам крепления электроинструмента.** *Аксессуары с отверстиями оправки, которые не совпадают с монтажными приспособлениями электроинструмента, будут работать несбалансированно, с избыточной вибрацией и могут привести к потере управления.*
- h) **Не используйте поврежденные аксессуары.** **Перед каждым использованием проверяйте аксессуары, какие так абразивные диски, на наличие сколов и трещин, диск-подшину на наличие трещин, разрывов или чрезмерного износа.** **Если электроинструмент или аксессуар случайно уронили, проверьте их на повреждения или установите неповрежденный аксессуар.** **После проверки и установки аксессуара встаньте сами и проследите, чтобы присутствующие располагались подальше от плоскости вращающегося диска, затем дайте проработать электроинструменту на максимальной скорости без нагрузки в течение одной минуты.** *В течение этого тестового времени поврежденные аксессуары обычно разламываются.*
- i) **Носите средства индивидуальной защиты.** **В зависимости от применения носите лицевой щиток, закрытые или защитные очки.** **При необходимости надевайте пылезащитную маску, защитные наушники, перчатки и рабочий фартук, способный предохранить от небольших осколков абразивного материала или обрабатываемого предмета.** *Защита глаз должна быть способна предохранить от летящего мусора, сопутствующего различным операциям. Пылезащитная маска или респиратор должны быть способны отфильтровывать частицы, образующиеся в результате работы. Продолжительное воздействие шума высокой интенсивности может привести к потере слуха.*
- j) **Держите посторонних на безопасном расстоянии от рабочей зоны.** **Любой, вошедший в рабочую зону, должен**

надевать средства индивидуальной защиты. *Осколки обрабатываемого предмета или сломавшийся диск могут отлететь в сторону и привести к травмам за пределами участка непосредственно работы.*

- к) Держите электроинструмент только за изолированную поверхность захвата в случаях, когда возможен контакт режущей части со скрытой электрической проводкой или собственным шнуром питания.** При контакте режущей части с проводами под напряжением открытые металлические детали электроинструмента могут оказаться под напряжением, что способно стать причиной поражения электрическим током.
- л) Никогда не кладите электроинструмент, пока аксессуар не остановится полностью.** *Вращающийся диск может зацепиться за поверхность, и вы потеряете контроль над электроинструментом.*
- м) Не запускайте электроинструмент во время его переноски.** *Случайный контакт с вращающимся аксессуаром может зацепить одежду, затягивая аксессуар к вашему телу*
- н) Регулярно очищайте вентиляционные отверстия электроинструмента.** *Вентилятор электродвигателя затягивает пыль внутрь корпуса; избыточное скопление металлического порошка может привести к поражению электрическим током.*
- о) Не используйте электроинструмент рядом с горючими материалами.** *Искры могут воспламенить эти материалы.*
- р) Не используйте аксессуары, для которых необходимы охлаждающие жидкости.** *Использование воды или других охлаждающих жидкостей может привести к поражению электрическим током.*
- q) Вы не должны отпускать рукоятку инструмента во время работы.** Всегда используйте вспомогательные рукоятки, поставляемые в комплекте с инструментом. Потеря контроля может привести к травме.

ДОПОЛНИТЕЛЬНЫЕ ИНСТРУКЦИИ ПО БЕЗОПАСНОСТИ ДЛЯ ВСЕХ ВИДОВ РАБОТ

Отдача и соответствующие предостережения

Отдача представляет собой случайную реакцию на заклинивший или зацепившийся вращающийся диск, диск-подшву, щетку или любой другой аксессуар. Заклинивание или зацепление вызывает быстрое торможение вращающегося аксессуара, что, в свою очередь, приводит к неконтролируемому движению электроинструмента в направлении, обратном вращению аксессуара в точке заедания.

Например, если абразивный диск зацепился или застрял в обрабатываемом предмете, край диска, который входит в точку заземления,

может вонзиться в поверхность материала, что приведет к выскакиванию или отскакиванию диска. Диск может отскочить в сторону от оператора или в направлении оператора, в зависимости от направления движения диска в точке заклинивания. Абразивные диски в этих условиях также могут сломаться.

Отдача является результатом неправильного использования электроинструмента и/или неправильных рабочих процедур или условий, и ее можно избежать, приняв надлежащие меры безопасности, приведенные ниже.

- а) Крепко держите электроинструмент обеими руками, расположив свое тело и руки так, чтобы вы могли противостоять силам отдачи.** **Всегда используйте дополнительную рукоятку, при ее наличии, для максимального контроля отдачи или реакции скручивания во время запуска.** *Оператор может контролировать реакции скручивания или силы отдачи, если приняты надлежащие меры безопасности.*
- б) Никогда не помещайте руку рядом с вращающимся аксессуаром.** *Аксессуар может под воздействием отдачи сместиться в сторону вашей руки.*
- с) Не располагайте тело в зоне, куда будет отброшен электроинструмент в случае возникновения отдачи.** *Отдача откинет инструмент в направлении, противоположном движению диска на момент зацепления.*
- д) Соблюдайте особую осторожность при работе на углах, острых краях и т.д.** *Избегайте подскокавания и зацепления аксессуара. Углы, острые края или подскокавание могут стать причиной зацепления вращающегося аксессуара и привести к потере контроля или отдаче.*
- е) Не устанавливайте пыльный диск для резбы по дереву, сегментированный алмазный круг с периферийным зазором более 10 мм или зубчатый пыльный диск.** *Такие режущие диски часто являются причиной отдачи и потери контроля.*

СПЕЦИАЛЬНЫЕ МЕРЫ ПРЕДОСТОРОЖНОСТИ ПРИ ВЫПОЛНЕНИИ ШЛИФОВАЛЬНЫХ И ОТРЕЗНЫХ РАБОТ:

- а) Используйте круги только такого типа, который рекомендуется для вашего электроинструмента, и специальный кожух, предназначенный для используемого круга.** Непредназначенные для этого электроинструмента круги невозможно оградить, и они являются небезопасными.
- б) Шлифовальная поверхность центральных вдавленных кругов**

должна быть установлена ниже плоскости защитного края. *Неправильно установленные круги, края которых выходят за плоскость защитного края, не могут быть в достаточной мере защищены.*

- c) **Кожух необходимо прочно закрепить на электроинструменте и установить максимально безопасно, чтобы как можно меньшая часть круга была направлена на оператора.** Кожух помогает защитить оператора от фрагментов сломанного круга и случайного соприкосновения с кругом.
- d) **Круги должны использоваться только для рекомендованных способов применения. Например, запрещается шлифовать боковой стороной круга, предназначенного для абразивного отрезания.** Круги для абразивного резания предназначены для резки периферией круга; приложение боковых усилий к таким кругам может вызвать их разрушение.
- e) **Для используемого круга всегда используйте неповрежденные фланцы круга соответствующего размера и формы.** Соответствующие фланцы круга поддерживают круг, уменьшая возможность его разрушения. Фланцы кругов для отрезания могут отличаться от фланцев шлифовальных кругов.
- f) **Не используйте изношенные круги с электроинструментами большего размера.** Круг, предназначенный для электроинструмента большего размера, не подходит для более высокой скорости вращения инструмента меньшего размера и может лопнуть.
- g) **При использовании круга двойного назначения всегда используйте защитный кожух, соответствующий выполняемой работе.** Использование неправильного защитного кожуха может не обеспечить желаемого уровня защиты, что способно привести к серьезной травме.
- h) **Внимание! При шлифовании тонких листов металла или других легко вибрирующих конструкций с большой площадью поверхности общий уровень шума может значительно (на величину до 15 дБ) превышать заявленные значения. Для максимально возможного снижения уровня шума при обработке таких деталей следует принимать соответствующие меры, например подкладывать под детали тяжелые гибкие демпфирующие маты. Повышенный уровень шума также следует учитывать как при оценке риска воздействия шума, так и при выборе адекватных средств защиты органов слуха.**

ДОПОЛНИТЕЛЬНЫЕ ИНСТРУКЦИИ ПО БЕЗОПАСНОСТИ ПРИ ВЫПОЛНЕНИИ РЕЗКИ

Дополнительные меры предосторожности при выполнении отрезных работ:

- a) **Не “зажимайте” диск или не прикладывайте избыточное давление. Не пытайтесь сделать пропил избыточной глубины.** *Перенапряжение диска увеличивает нагрузку и возможность скручивания или заедания диска в пропиле, а также вероятность отдачи или поломки диска.*
- b) **Не располагайтесь на одной линии и позади вращающегося диска.** *Когда диск в точке работы движется от вашего тела, отдача может откинуть вращающийся диск и инструмент непосредственно в вашем направлении.*
- c) **Когда диск заедает, или при прерывании пропила по любой причине, выключите электроинструмент и держите его неподвижно до тех пор, пока диск не остановится полностью. Никогда не пытайтесь извлечь диск из распила, пока диск еще двигается, в противном случае это может привести к отдаче.** *Проверьте и примите корректирующие действия, чтобы устранить причину заедания диска.*
- d) **Не перезапускайте операцию реза в обрабатываемом предмете. Дайте диску набрать полную скорость вращения и осторожно введите его в распил.** *Диск может согнуться, сместиться или вызвать отдачу, если перезапустить электроинструмент в обрабатываемом предмете.*
- e) **Обеспечьте опору панелей или любого обрабатываемого предмета большого размера, чтобы свести к минимуму риск заклинивания диска и отдачи.** *Большие обрабатываемые предметы имеют тенденцию провисать под собственным весом. Опоры должны располагаться под обрабатываемым предметом рядом с линией реза и рядом с краем обрабатываемого предмета с обеих сторон от диска.*
- f) **Соблюдайте особую осторожность при выполнении “выреза” в существующих стенах или других мертвых зонах.** *Выступающий диск может задеть газовые или водяные трубы, электрическую проводку или предметы, которые могут привести к отдаче.*
- g) **Не пытайтесь выполнить криволинейную резку.** *Чрезмерное усилие, прилагаемое к кругу, увеличивает нагрузку и повышает вероятность его перекручивания или заклинивания, а также возможность отскока или разрушения круга, что способно привести к серьезной травме.*

ПРАВИЛА ТЕХНИКИ БЕЗОПАСНОСТИ ДЛЯ АККУМУЛЯТОРНОЙ БАТАРЕИ

- a) Не допускается разбирать, вскрывать, измельчать элементы питания и аккумуляторную батарею.
- b) Не допускается накоротко замыкать элементы питания или аккумулятор. Не допускается беспорядочно хранить элементы питания или аккумулятор в коробке или ящике, где они могут замкнуть друг друга или могут быть замкнуты другими металлическими предметами. Если аккумуляторная батарея не используется, держите ее подальше от металлических предметов, таких как зажимы, монеты, гвозди, винты и прочие металлические предметы небольшого размера, которые могут соединить клеммы друг с другом. Короткое замыкание клемм батареи может стать причиной ожогов или пожара.
- c) Не допускается подвергать аккумуляторную батарею воздействию высоких температур или пламени. Избегайте хранения аккумуляторной батареи в местах, подверженных воздействию прямого солнечного света.
- d) Не допускается подвергать аккумуляторную батарею механическому ударам
- e) В случае протечки аккумуляторной батареи, не допускайте контакта электролита с кожей или глазами. В случае такого контакта необходимо промыть пораженный участок обильным количеством воды и обратиться за медицинской помощью.
- f) Аккумуляторную батарею необходимо содержать в чистоте и сухости.
- g) В случае загрязнения контактов аккумуляторной батареи их необходимо протереть чистой сухой тканью.
- h) Аккумуляторную батарею необходимо заряжать перед использованием. Всегда следуйте данной инструкции и используйте правильный порядок зарядки.
- i) Не допускается оставлять аккумулятор на зарядном устройстве, если он не используется.
- j) После продолжительного хранения может потребоваться несколько раз зарядить и разрядить аккумуляторную батарею для достижения максимальной эффективности ее работы.
- к) Используйте только зарядные устройства, указанные Kress. Не допускается использовать какие-либо зарядные устройства, за исключением специально предназначенных для

данного оборудования.

- l) Не допускается использовать какие-либо аккумуляторные батареи, не предназначенные для использования с данным оборудованием.
- m) Храните аккумуляторную батарею в местах, недоступных для детей.
- n) Следует сохранить оригинальную документацию на изделие для будущего использования.
- o) По возможности извлекайте аккумуляторную батарею из изделия, если она не используется.
- p) Утилизируйте аккумуляторную батарею должным образом.
- q) Не используйте аккумуляторы сторонних производителей
- r) Берегите аккумулятор от воздействия СВЧ-излучения и высокого давления.
- s) Предупреждение! Не используйте непerezаряжаемые батареи.

УСЛОВНЫЕ ОБОЗНАЧЕНИЯ

	Для сокращения риска травмы пользователь должен прочитать руководство по эксплуатации инструмента
	Предостережение
	Носите защиту органов слуха
	Носите защиту органов зрения
	Носите пылезащитную маску
	При неправильной утилизации батареи могут попасть в водный цикл, что может быть опасным для экосистемы. Не выбрасывайте использованные батареи в несортированные бытовые отходы.
	Запрещается сжигать

 Li-Ion 	<p>Литий-ионная аккумуляторная батарея. Этот продукт был отмечен символом, относящимся к «раздельному сбору отходов» для всех аккумуляторов и батарей. Данная батарея должна быть переработана или утилизирована должным образом, чтобы уменьшить воздействие на окружающую среду. Аккумуляторы могут быть опасными для окружающей среды и здоровья человека, поскольку они содержат вредные вещества.</p>
	<p>Убедитесь, что батарея извлечена, прежде чем менять аксессуары.</p>
	<p>Всегда работайте обеими руками</p>
	<p>Используйте защитные перчатки</p>

ПЕРЕЧЕНЬ КОМПОНЕНТОВ

1.	АМОТИЗИРУЮЩАЯ РУКОЯТКА
2.	КНОПКА БЛОКИРОВКИ ШПИНДЕЛЯ
3.	ВЫКЛЮЧАТЕЛЬ
4.	КНОПКА РАЗБЛОКИРОВКИ АККУМУЛЯТОРА*
5.	АККУМУЛЯТОР*
6.	ЗАЩИТНЫЙ КОЖУХ ДЛЯ ШЛИФОВАНИЯ
7.	ДИСК*
8.	ГАЕЧНЫЙ КЛЮЧ
9.	ВНУТРЕННИЙ ФЛАНЕЦ
10.	ВНЕШНИЙ ФЛАНЕЦ
11.	БЫСТРОСЪЕМНАЯ РУЧКА БЛОКИРОВКИ ПРЕДОХРАНИТЕЛЬНОГО КОЖУХА КРУГА
12.	ШПИНДЕЛЬ

* Не все показанные или описанные аксессуары включены в стандартную поставку.

ТЕХНИЧЕСКИЕ ДАННЫЕ

Тип: **КУН04 КУН04.Х (Н04-обозначение инструмента, Угловая шлифовальная машина)**

	КУН04 КУН04.Х**
Номинальное напряжение	20В  макс.***
Номинальная скорость	3500/6000/8500/мин.
Размер диска	125мм
Диаметр посадочного отверстия	22.23мм
Резьба шпинделя	M14
Вес инструмента (без аккумулятора)	1.4кг

** X=1-999, A-Z, M1-M9 используются только для разных инструментов. Безопасная соответствующая замена между данными моделями невозможна

*** Напряжение измеряется без нагрузки. Начальное напряжение аккумулятора достигает максимум 20 вольт. Номинальное напряжение - 18 вольт.

РЕКОМЕНДУЕМЫЕ АККУМУЛЯТОРЫ И ЗАРЯДНЫЕ УСТРОЙСТВА

Категория	Тип	Ёмкость
20В Аккумуляторная батарея	KAB21	4.0Ah
Зарядное устройство 20В	KAC20	2А
	KAC21	6А

Мы рекомендуем вам приобрести аксессуары, перечисленные в приведенном выше списке, в том же магазине, где вам продали инструмент. Для получения дополнительной информации см. упаковку. Сотрудники магазина смогут помочь вам и дать совет.

ИНСТРУКЦИИ ПО ЭКСПЛУАТАЦИИ



ПРИМЕЧАНИЕ: Перед использованием инструмента внимательно прочитайте инструкцию.

ПРЕДНАЗНАЧЕННОЕ ИСПОЛЬЗОВАНИЕ

Эта машина предназначена для резки, черновой обработки и щеточной очистки металлических и каменных материалов без использования воды. Для резки металла необходимо использовать специальный защитный кожух для резки (аксессуар).

СБОРКА И ЭКСПЛУАТАЦИЯ

ДЕЙСТВИЯ	Рисунок
СБОРКА	
Сборка вспомогательной ручки	См. Рис. А
Регулировка защитного кожуха Примечание Перед любыми работами на машине снимите батарею. Для работы с шлифовальными или режущими дисками необходимо установить защитный кожух. Используйте правильный тип диска для вашего приложения.	См. Рис. В
Установите предохранительный кожух в канавку втулки шпинделя и поверните его в нужное рабочее положение. Плотно надавите на ручку на предохранительном кожухе и надежно зафиксируйте его. Шлифовальный круг должен свободно вращаться внутри предохранительного кожуха. Закрытая сторона защитного кожуха всегда должна указывать на оператора.	См. Рис. В
Сборка шлифовального/ режущего диска	См. Рис. С1, С2, С3
ОПЕРАЦИЯ	
Использование выключателя вкл/выкл Чтобы запустить инструмент, закройте предохранительный рычаг переключателя, а затем нажмите на переключатель; продолжайте нажимать на переключатель для непрерывной работы. Для остановки инструмента отпустите переключатель.	См. Рис. D
Область захвата руками	См. Рис. E

Грубая шлифовка Предупреждение! Никогда не используйте режущий диск для черновой обработки.	
Резка	См. Рис. F

РЕКОМЕНДАЦИИ ПО ИСПОЛЬЗОВАНИЮ УГЛОВОЙ ШЛИФОВАЛЬНОЙ МАШИНЫ

1. Всегда запускайте инструмент без нагрузки, дождитесь, пока он достигнет максимальной скорости, а затем начинайте работу.
2. Не форсируйте скорость работы диска, снижение скорости движения диска означает увеличение его срока службы.
3. Всегда работайте, поддерживая угол 15° ~ 30° между диском и заготовкой. Большой угол приведет к образованию выступов на заготовке и повлияет на обработку поверхности. Перемещайте угловую шлифовальную машину вдоль поверхности заготовки.
4. При использовании режущего диска никогда не меняйте угол резки, в противном случае это приведет к срыву диска и остановке двигателя угловой шлифовальной машины, либо поломке диска.
При резке выполняйте работу только в направлении, противоположном вращению диска. Если вы будете выполнять резку в направлении, совпадающем в направлении вращения диска, диск может вытолкнуть себя из пропила.
5. При резке очень твердого материала наилучших результатов можно достичь с помощью алмазного диска.
6. Алмазный диск сильно нагревается при использовании. Если это произойдет, вы увидите кольцо искр вокруг вращающегося диска. Прекратите резку и дайте диску остыть при работе без нагрузки в течение 2-3 минут.
7. Всегда проверяйте надежность фиксации заготовки, чтобы предотвратить ее смещение.

ТЕХНИЧЕСКОЕ ОБСЛУЖИВАНИЕ

Извлеките аккумулятор перед выполнением любых настроек, обслуживания или технического обслуживания.

В данном инструменте отсутствуют детали, подлежащие обслуживанию пользователем. Никогда не используйте воду или химические чистящие средства для очистки вашего электроинструмента. Протрите его сухой тканью. Всегда храните электроинструмент в сухом месте. Содержите в

чистоте вентиляционные отверстия двигателя.
Не допускайте попадания пыли на все рабочие органы управления. Иногда через вентиляционные отверстия можно увидеть искры. Это нормально и повредит ваш электроинструмент.

ПОИСК НЕИСПРАВНОСТЕЙ

Несмотря на простоту в использовании болгарки, проверьте по следующим при возникновении проблем:

1. Если шлифовальный диск качается или вибрирует, убедитесь, что внешний фланец затянут; Проверьте, что диск правильно расположено на фланцевой пластине.
2. Если есть какие-либо доказательства того, что диск поврежден, не используйте его, поскольку поврежденный диск может распасться, снимите его и замените новым. Утилизируйте старые диски.
3. При резании алюминия или мягкого сплава диск скоро забьется и не будет эффективно шлифоваться.

ДЛЯ АККУМУЛЯТОРНЫХ ИНСТРУМЕНТОВ

Рабочая температура инструментов и аккумулятора: от -20 °C до +60 °C.

Температура хранения инструментов и аккумулятора: от 0 °C до +45 °C.

Рекомендуемый диапазон температур окружающей среды для зарядной системы во время зарядки - 0°C-40°C.

ОХРАНА ОКРУЖАЮЩЕЙ СРЕДЫ



Переработка отходов

Машина, ее аксессуары и упаковочные материалы должны быть отсортированы

для экологически чистой переработки.

Пластиковые компоненты имеют маркировку для вторичной переработки.

СТРАНА ТЕЛЕФОН ТЕХПОДДЕРЖКИ

Россия 7 (495) 136-83-96



ЕАС

Импортер: ООО «КВТ Эксперт»

Адрес: Россия, Москва, 119607, проспект Мичуринский, дом 31, корпус 7, помещение 40/2

Телефон: +7 (495) 107-02-72

Электронная почта kvt@kvt-service.ru

Страна производства: КНР

Изготовитель: Позитек Технолоджи (КНР) Ко., Лтд.

Адрес: Номер 18, Донванг Роуд, Сучжоу Индастриал Парк, Цзянсу, КНР

Срок службы изделия: 6 лет

Срок гарантии: 2 года

Дата производства изделия: указана на изделии

Уполномоченное лицо для принятия претензий: ООО «ПОЗИТЕК-ЕВРАЗИЯ»

Адрес: Российская Федерация, 117342, г. Москва, ул. Бутлерова, д. 17, этаж 3 ком 67

Телефон сервисной службы ООО «ПОЗИТЕК-ЕВРАЗИЯ»: +7 (495) 136-83-96

Электронная почта service.ru@positecgroup.com

Kress 