



**GB** Electric Grass Trimmer

**Instruction Manual**

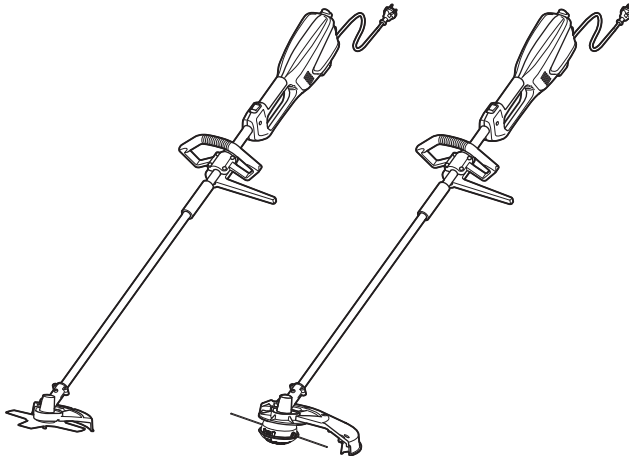
**RUS** Электрокоса

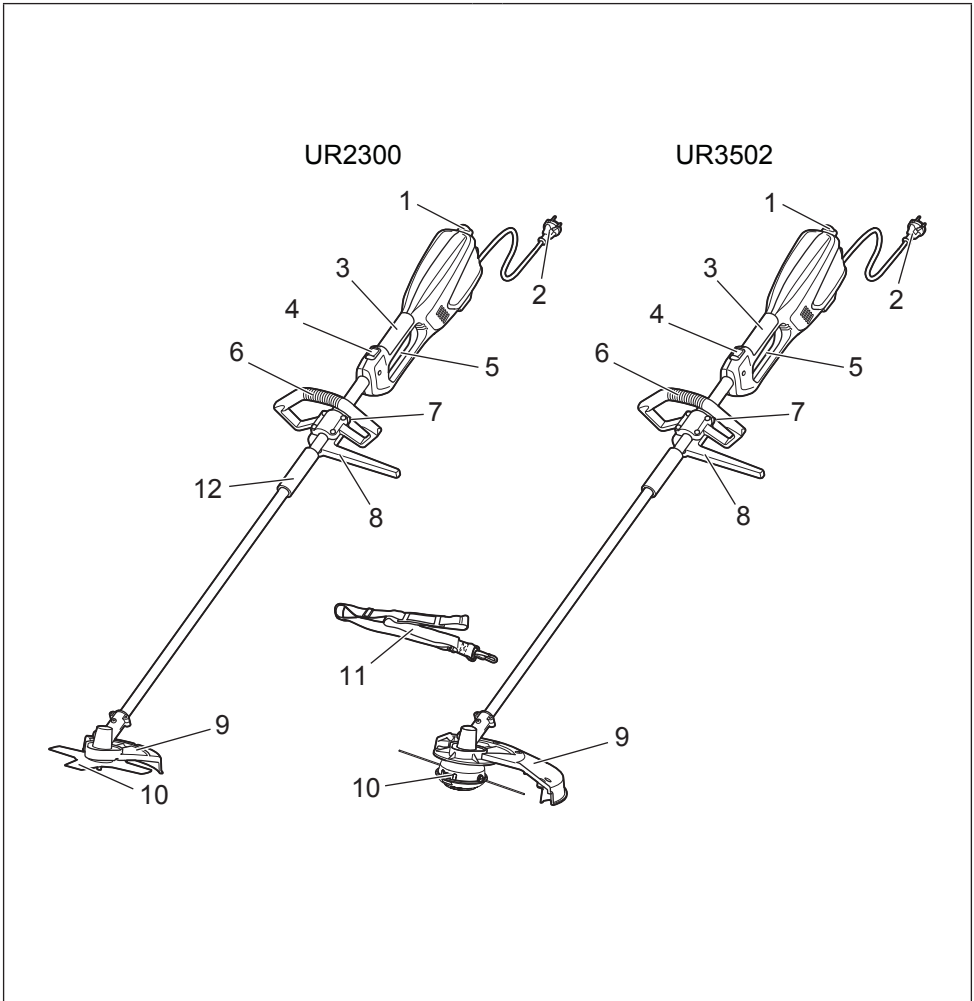
**Инструкция по эксплуатации**

**UA** Електротриммер

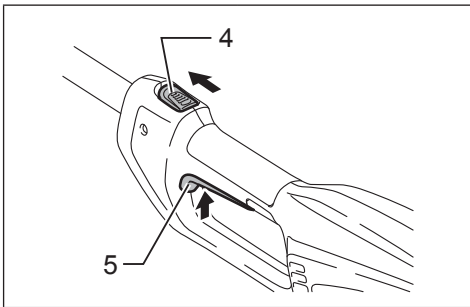
**Інструкція з експлуатації**

**UR2300**  
**UR3502**

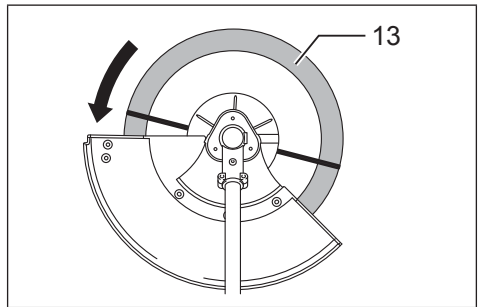




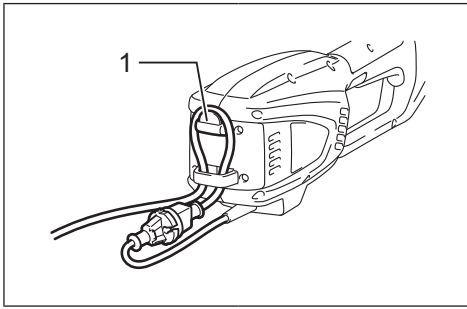
1



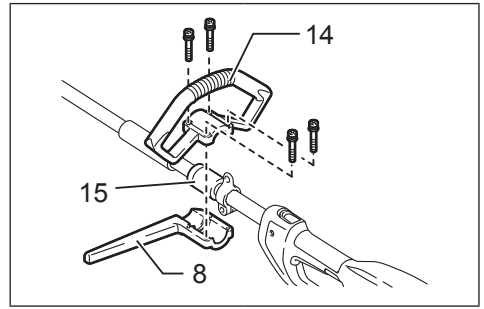
2



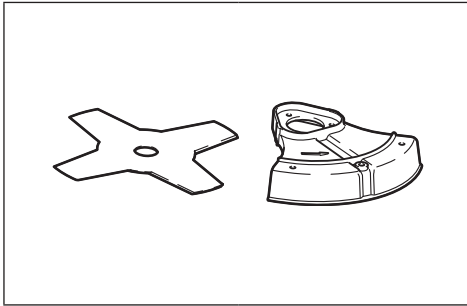
3



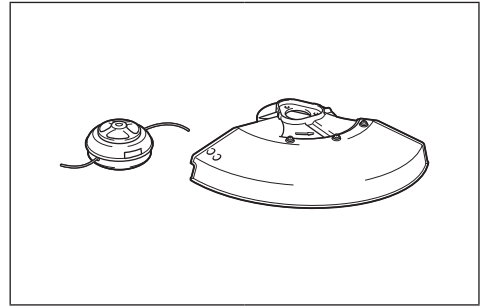
4



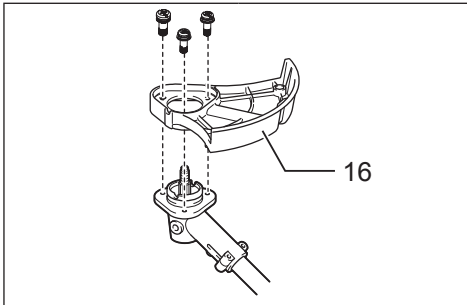
5



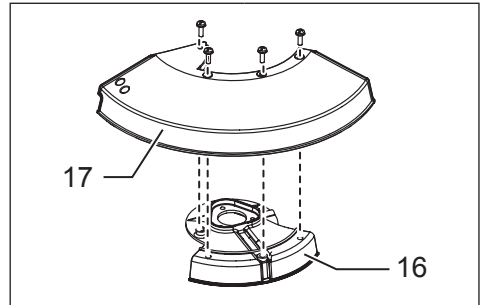
6



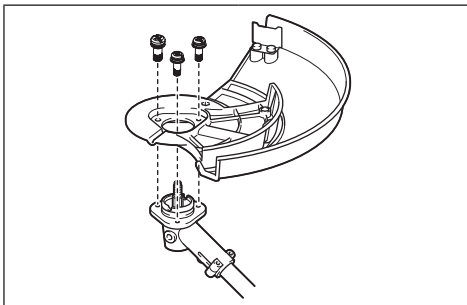
7



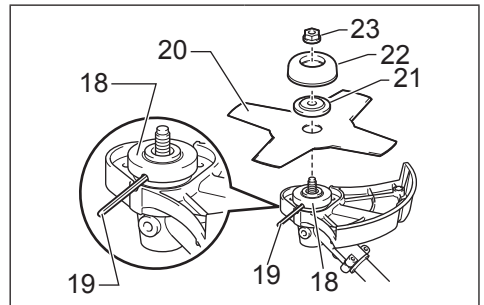
8



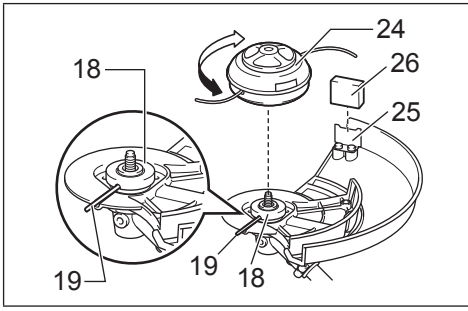
9



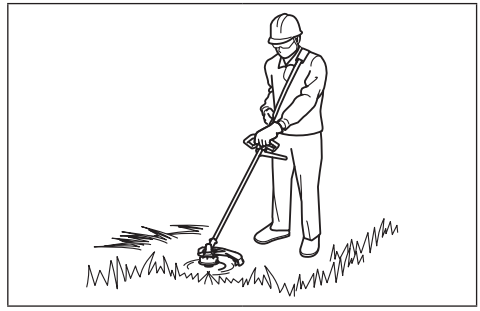
10



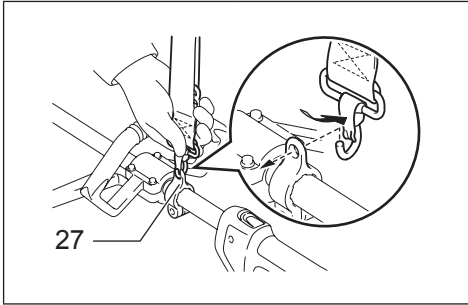
11



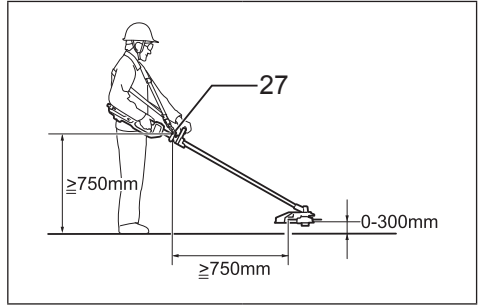
12



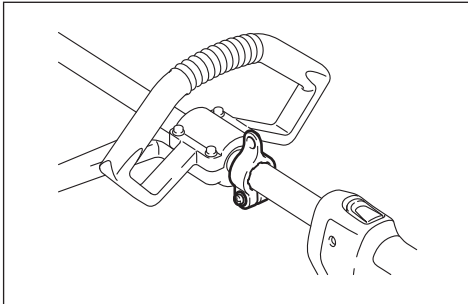
13



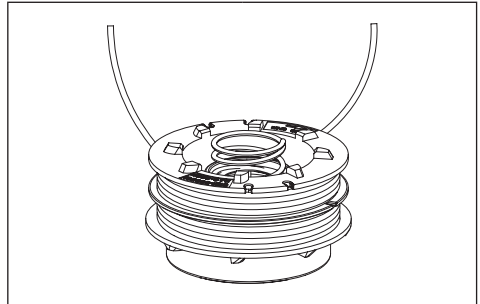
14



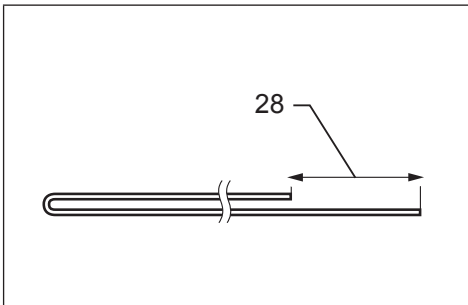
15



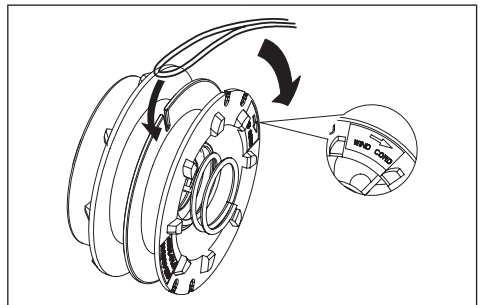
16



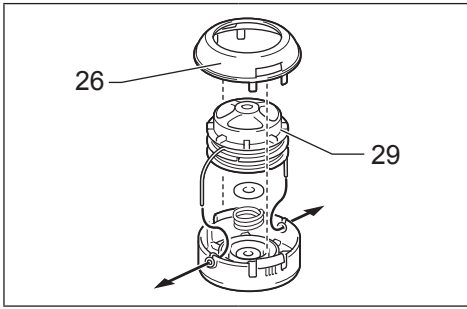
17



18



19



**20**

## ENGLISH (Original instructions)

### Explanation of general view

1 Cable holder	10 Cutting tool	21 Clamp washer
2 Power supply cord (the shape may differ from country to country)	11 Shoulder harness	22 Cup
3 Rear handle	12 Cushion	23 Nut
4 Lock-off lever	13 Most effective cutting area	24 Nylon cutting head
5 Switch trigger	14 Handle	25 Cord cutter
6 Front handle	15 Rubber part	26 Cover
7 Hanger (suspension point)	16 Inner protector	27 Hanger
8 Barrier	17 Outer protector	28 80 – 100 mm
9 Cutting tool guard (protector)	18 Receive washer	29 Spool
	19 Round bar	
	20 Blade	













## SPECIFICATIONS

Model	UR2300	UR3502
Type of handle	Loop handle	
Overall length	1,630 mm	
Continuous rating input	1,000 W	
No load speed	7,800 min <sup>-1</sup>	6,500 min <sup>-1</sup>
Cutting tool	Cutter blade	Nylon cutting head
Cutting width	230 mm	350 mm
Net weight	4.7 kg	4.9 kg
Safety class	II/II	

- Due to our continuing program of research and development, the specifications herein are subject to change without notice.
- Specifications may differ from country to country.
- Weight according to EPTA-Procedure 01/2003

### Symbols

The following show the symbols used for the equipment. Be sure that you understand their meaning before use.

-  • Take particular care and attention.
-  • Read instruction manual.
-  • Danger; be aware of thrown objects.
-  • The distance between the tool and bystanders must be at least 15 m.
-  • Keep bystanders away.
-  • Wear a helmet, goggles and ear protection.
-  • Wear protective gloves.
-  • Wear sturdy boots with nonslip soles. Steeltoe safety boots are recommended.
-  • Do not expose to moisture.
-  • Disconnect the mains plug if the cord is damaged or entangled.
-  • Avoid kickback.
-  • Keep distance at least 15 m.

## IMPORTANT SAFETY INSTRUCTIONS

**⚠ WARNING! Read all safety warnings and all instructions.** Failure to follow the warnings and instructions may result in electric shock, fire and/or serious injury.

**Save all warnings and instructions for future reference.**

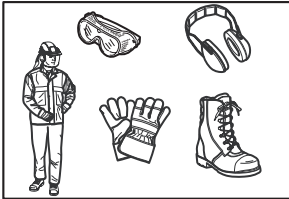
### Intended use

1. The grass trimmer/ brushcutter/ string trimmer is only intended for cutting grass, weeds, bushes and undergrowth. It should not be used for any other purpose such as edging or hedge cutting as this may cause injury.

### General instructions

1. Never allow people unfamiliar with these instructions, people (including children) with reduced physical, sensory or mental capabilities, or lack of experience and knowledge to use the tool. Children should be supervised to ensure that they do not play with the tool.
2. Before starting the tool, read this instruction manual to become familiar with the handling of the tool.
3. Do not lend the tool to a person with insufficient experience or knowledge regarding handling of brushcutters and string trimmers.
4. When lending the tool, always attach this instruction manual.
5. Handle the tool with the utmost care and attention.
6. Never use the tool after consuming alcohol or drugs, or if feeling tired or ill.
7. Never attempt to modify the tool.
8. Take care against injury from any device fitted for trimming the filament line length. After extending new cutter line always return the machine to its normal operating position before switching on.
9. Follow the regulations about handling of brushcutters and string trimmers in your country.

### Personal protective equipment



1. Wear safety helmet, protective goggles and protective gloves to protect yourself from flying debris or falling objects.
2. Wear ear protection such as ear muffs to prevent hearing loss.
3. Wear proper clothing and shoes for safe operation, such as a work overall and sturdy, non-slip shoes. Do not wear loose clothing or jewelry. Loose clothes, jewelry or long hair can be caught in moving parts.
4. When touching the cutting blade, wear protective gloves. Cutting blades can cut bare hands severely.

### Work area safety

1. Operate the tool under good visibility and daylight conditions only. Do not operate the tool in darkness or fog.
2. Do not operate the tool in explosive atmospheres, such as in the presence of flammable liquids, gases or dust. The tool creates sparks which may ignite the dust or fumes.
3. During operation, never stand on an unstable or slippery surface or a steep slope. During the cold season, beware of ice and snow and always ensure secure footing.
4. During operation, keep bystanders or animals at least 15 m away from the tool. Stop the tool as soon as someone approaches.
5. Before operation, examine the work area for stones or other solid objects. They can be thrown or cause dangerous kickback and result in serious injury and/ or property damage.
6. **⚠ WARNING:** Use of this product can create dust containing chemicals which may cause respiratory or other illnesses. Some examples of these chemicals are compounds found in pesticides, insecticides, fertilizers and herbicides. Your risk from these exposures varies, depending on how often you do this type of work. To reduce your exposure to these chemicals: work in a well ventilated area, and work with approved safety equipment, such as those dust masks that are specially designed to filter out microscopic particles.

### Electrical safety

1. **Power tool plugs must match the outlet. Never modify the plug in any way. Do not use any adapter plugs with earthed (grounded) power tools.** Unmodified plugs and matching outlets will reduce risk of electric shock.
2. **Avoid body contact with earthed or grounded surfaces such as pipes, radiators, ranges and refrigerators.** There is an increased risk of electric shock if your body is earthed or grounded.
3. Do not expose the tool to rain or wet conditions. Water entering the tool will increase the risk of electric shock.
4. **Do not abuse the cord. Never use the cord for carrying, pulling or unplugging the power tool. Keep cord away from heat, oil, sharp edges or moving parts.** Damaged or entangled cords increase the risk of electric shock.
5. Do not use the tool if the switch does not turn it on and off. Any tool that cannot be controlled with the switch is dangerous and must be repaired.
6. **When operating a power tool outdoors, use an extension cord suitable for outdoor use.** Use of a cord suitable for outdoor use reduces the risk of electric shock.
7. **If operating a power tool in a damp location is unavoidable, use a residual current device (RCD) protected supply.** Use of an RCD reduces the risk of electric shock.
8. **Use of power supply via a RCD with a rated residual current of 30 mA or less is always recommended.**
9. Prevent unintentional starting. Ensure the switch is in the off-position before connecting to power source, picking up or carrying the tool. Carrying power tools with your finger on the switch or energising power tools that have the switch on invites accidents.

10. Before use, check the supply and extension cord for signs of damage or ageing.
11. If the cord becomes damaged during use, disconnect the cord from the supply immediately. **Do not touch the cord before disconnecting the supply.**
12. Do not use the tool if the cords are damaged or worn.
13. Keep extension cord away from cutting elements.

### Putting into operation

1. Before assembling or adjusting the tool, disconnect the plug from the power source.
2. Before handling the cutter blade, wear protective gloves.
3. Before plugging in, inspect the tool for damages, loose screws/nuts or improper assembly. Sharpen blunt cutter blade. If the cutter blade is bent or damaged, replace it. Check all control levers and switches for easy action. Clean and dry the handles.
4. Never attempt to switch on the tool if it is damaged or not fully assembled. Otherwise serious injury may result.
5. Remove any adjusting key or wrench before turning the tool on. A wrench or a key left attached to a rotating part of the tool may result in personal injury.
6. Adjust the shoulder harness and hand grip to suit the operator's body size.
7. When plugging in, keep the cutting attachment clear of your body and other object, including the ground. It may rotate when starting and may cause injury or damage to the tool and/or property.

### Operation

1. In the event of an emergency, switch off the tool immediately.
2. If you feel any unusual condition (e.g. noise, vibration) during operation, switch off the tool. Do not use the tool until the cause is recognized and solved.
3. Warning. The cutting attachment continues to rotate for a short period after turning the tool off. Don't rush to contact the cutting attachment.
4. During operation, use the shoulder harness. Keep the tool on your right side firmly.
5. Do not overreach. Keep proper footing and balance at all times. Watch for hidden obstacles such as tree stumps, roots and ditches to avoid stumbling.
6. Never work on a ladder or tree to avoid loss of control.
7. Before using the machine and after any heavy impact or fall, check the condition before continuing work. Check the controls and safety devices for malfunction. If there is any damage or doubt, ask our authorized service center for the inspection and repair.
8. Do not touch the gear case. The gear case becomes hot during operation.
9. Take a rest to prevent loss of control caused by fatigue. We recommend taking a 10 to 20-minute rest every hour.
10. When you leave the tool, even if it is a short time, always withdraw the mains plug. The unattended tool with the mains plugged in may be used by unauthorized person and cause serious accident.
11. If grass or branches get caught between the cutting attachment and guard, always turn the tool off and withdraw the mains plug before cleaning. Otherwise the cutting attachment may rotate unintentionally and cause serious injury.

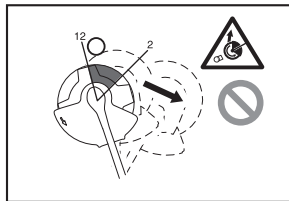
12. If the cutting attachment hits stones or other hard objects, immediately turn the tool off. Then withdraw the mains plug and inspect the cutting attachment.
13. Check the cutting attachment frequently during operation for cracks or damages. Before the inspection, withdraw the mains plug and wait until the cutting attachment stops completely. Replace damaged cutting attachment immediately, even if it has only superficial cracks.
14. Never cut above waist height.
15. Before starting the cutting operation, wait until the cutting attachment reaches a constant speed after turning the tool on.
16. When using metal blades, swing the tool evenly in half-circle from right to left, like using a scythe.
17. Hold the tool by insulated gripping surfaces only, because the cutter blade may contact hidden wiring. Cutter blades contacting a "live" wire may make exposed metal parts of the tool "live" and could give the operator an electric shock.
18. Always ensure that ventilation openings are kept clear of debris.

### Cutting attachments

1. Use an applicable cutting attachment for the job in hand.
  - Nylon cutting heads (string trimmer heads) are suitable for trimming lawn grass.
  - Metal blades are suitable for cutting weeds, high grasses, bushes, shrubs, underwood, thickets, and the like.
  - Never use other blades including metal multi-piece pivoting chains and flail blades. It may result in serious injury.
2. Always use the cutting attachment guard properly suited for the cutting attachment used.
3. Never fit metal cutting elements with nylon cutting models.
4. When using metal blades, avoid "kickback" and always prepare for an accidental kickback. See the section "Kickback."

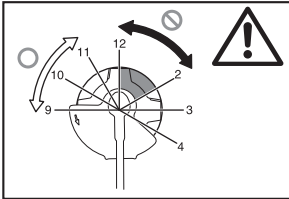
### Kickback (Blade thrust)

1. Kickback (blade thrust) is a sudden reaction to a caught or bound cutting blade. Once it occurs, the tool is thrown sideways or toward the operator at great force and it may cause serious injury.
2. Kickback occurs particularly when applying the blade segment between 12 and 2 o'clock to solids, bushes and trees with 3 cm or larger diameter.





3. To avoid kickback:
  - Apply the segment between 8 and 11 o'clock.
  - Never apply the segment between 12 and 2 o'clock.
  - Never apply the segment between 11 and 12 o'clock and between 2 and 5 o'clock, unless the operator is well trained and experienced and does it at his/her own risk.
  - Never use cutting blades close to solids, such as fences, walls, tree trunks and stones.
  - Never use cutting blades vertically, for such operations as edging and trimming hedges.



### Vibration

1. People with poor circulation who are exposed to excessive vibration may experience injury to blood vessels or the nervous system. Vibration may cause the following symptoms to occur in the fingers, hands or wrists: "Falling asleep" (numbness), tingling, pain, stabbing sensation, alteration of skin color or of the skin. If any of these symptoms occur, see a physician!
2. To reduce the risk of "white finger disease", keep your hands warm during operation and well maintain the tool and accessories.

### Transport

1. Before transporting the tool, turn it off and withdraw the mains plug. Attach the cover to the cutting blade.
2. When transporting the tool, carry it in a horizontal position by holding the shaft.
3. When transporting the tool in a vehicle, properly secure it to avoid turnover. Otherwise damage to the tool and other baggage may result.

### Maintenance

1. Have your tool serviced by our authorized service center, always using only genuine replacement parts. Incorrect repair and poor maintenance can shorten the life of the tool and increase the risk of accidents.
2. Before doing any maintenance or repair work or cleaning the tool, always turn it off and withdraw the mains plug.
3. Always wear protective gloves when handling the cutting blade.
4. Always clean dust and dirt off the tool. Never use gasoline, benzine, thinner, alcohol or the like for the purpose. Discoloration, deformation or cracks of the plastic components may result.
5. After each use, tighten all screws and nuts.
6. Do not attempt any maintenance or repair not described in the instruction manual. Ask our authorized service center for such work.
7. Always use our genuine spare parts and accessories only. Using parts or accessories supplied by a third party may result in the tool breakdown, property damage and/or serious injury.

8. Request our authorized service center to inspect and maintain the tool at regular interval.

### Storage

1. Before storing the tool, perform full cleaning and maintenance. Withdraw the mains plug. Attach the cover to the cutting blade.
2. Store the tool in a dry and high or locked location out of reach of children.
3. Do not prop the tool against something, such as a wall. Otherwise it may fall suddenly and cause an injury.

### First aid

1. Always have a first-aid kit close by. Immediately replace any item taken from the first aid kit.
2. When asking for help, give the following information:
  - Place of the accident
  - What happened
  - Number of injured persons
  - Nature of the injury
  - Your name

### SAVE THESE INSTRUCTIONS.



#### WARNING:

**DO NOT let comfort or familiarity with product (gained from repeated use) replace strict adherence to safety rules for the subject product. MISUSE or failure to follow the safety rules stated in this instruction manual may cause serious personal injury.**

### PARTS DESCRIPTION (Fig. 1)

### FUNCTIONAL DESCRIPTION



#### WARNING:

• **Always be sure that the tool is switched off and unplugged before adjusting or checking the functions on the tool.** Failure to switch off and unplug may result in serious personal injury from accidental start-up.

### Power switch action (Fig. 2)



#### WARNING:

• **Before plugging in, always check to see that the switch trigger actuates properly and returns to the "OFF" position when released. Do not pull the switch trigger hard without sliding the lock-off lever. This can cause switch breakage.** Operating a tool with a switch that does not actuate properly can lead to loss of control and serious personal injury.

To prevent the switch trigger from being accidentally pulled, a lock-off lever is provided.

To start the tool, slide the lock-off lever forward and then pull the switch trigger. Release the switch trigger to stop.

## Nylon cutting head (Fig. 3)

### NOTICE:

- Do not attempt to bump feed the head while the tool is operating at a high RPM. Bump feeding at a high RPM may cause damage to the nylon cutting head.
- The bump feed will not operate properly if the head is not rotating.

### NOTE:

- Standard accessory varies depending on the model and country.

The nylon cutting head is a dual grass trimmer head provided with a bump & feed mechanism.

To feed out the nylon cord, bump the cutting head against the ground while the cutting head is rotating.

### NOTE:

- If the nylon cord does not feed out while bumping the head, rewind/replace the nylon cord by following the procedures described under "Maintenance."

## Cable holder (Fig. 4)

Make a small loop of power cable, and hang it onto the cable holder.

## ASSEMBLY

### ⚠ WARNING:

- **Always be sure that the tool is switched off and unplugged before carrying out any work on the tool.** Failure to switch off and unplug may result in serious personal injury from accidental start-up.
- **Never start the tool unless it is completely assembled.** Operation of the tool in a partially assembled state may result in serious personal injury from accidental start-up.

## Installing the handle (Fig. 5)

### ⚠ WARNING:

- Do not remove or shrink the spacer or cushion. The spacer keeps a certain distance between both hands. Setting the grip/barrier assembly close to the other grip beyond the length of the spacer may cause loss of control and serious personal injury.

Fit the handle and the barrier onto the rubber part on the shaft pipe. Adjust the location of the handle, and then tighten them with four bolts.

## Approved combination of cutting tool and protector

### ⚠ WARNING:

- **Always use the tool with the approved combination of the safety equipments.** Otherwise contact with a cutting tool may cause serious injury.
- **Never use the tool without the guard illustrated in place.** Failure to do so can cause serious personal injury.

### NOTE:

- Standard accessory varies depending on the model and country.

## For cutter blade (Fig. 6)

## For nylon cutting head (Fig. 7)

## Installing the protector for cutter blade (Fig. 8)

1. Align the holes on the inner protector and the holes of the gear case.
2. Then tighten them with three bolts.

## Installing the protector for nylon head

### ⚠ CAUTION:

- Take care not to injure yourself on the cutter for cutting the nylon cord.
  - Do not forget to remove the cutter protector before using.
1. Align the four bolts on the outer protector along the holes on the inner protector. (Fig. 9)
  2. Tighten them with the four bolts.
  3. Align the holes on the inner protector and the holes of the gear case.
  4. Tighten them with bolts. (Fig. 10)

## Installing the cutter blade

### ⚠ WARNING:

- **The outside diameter of the cutter blade must be 230 mm.** Never use any blade exceeding 230 mm in outside diameter.

### ⚠ CAUTION:

- The cutter blade must be well polished, free of cracks or breakage. Polish or replace the cutter blade every three hours of operation.
- Always wear gloves when handling the cutter blade.
- Always attach the blade cover when the tool is not in use or is being transported.
- The cutter blade-fastening nut wears out in course of time. If there appears any wear or deformation on, replace the nut. Ask your local authorized service center to order it.

### NOTICE:

- Be sure to use genuine cutter blade.

Turn the tool upside down so that you can replace the cutter blade easily. (Fig. 11)

1. Fit the receive washer on the axis.
2. Turn the receive washer until the notch on the receive washer comes on the notch of the gear case.
3. Insert the round bar through both notches so that receive washer can not be turned.
4. Put the blade on the receive washer.
5. Put the clamp washer on the blade.
6. Put the cup on the plate.
7. Tighten them with the nut by turning it counterclockwise while holding the round bar.

To remove the blade, perform the above steps in reverse.

## Installing nylon cutting head (Fig. 12)

### NOTICE:

- Be sure to use genuine nylon cutting head.

Turn the tool upside down so that you can replace the nylon cutting head easily.

### NOTE:

- Remove the cover on the cord cutter before use.

1. Fit the receive washer on the axis.
2. Turn the receive washer until the notch on the receive washer comes on the notch of the gear case.
3. Insert the round bar through both notches so that receive washer can not be turned.
4. Fit the nylon cutting head by turning it counterclockwise.
5. Remove the round bar after installing the nylon cutting head.

To remove the nylon head, perform the above steps in reverse.

## OPERATION

### Correct handling of tool (Fig. 13)

#### Correct posture

##### WARNING:

- **Always position the tool on your right-hand side so that the barrier is always in front of your body.** Correct positioning of the tool allows for maximum control and will reduce the risk of serious personal injury caused by kickback.

##### CAUTION:

- **If during operation the cutting tool accidentally impacts a rock or hard object, stop the tool and inspect for any damage. If the cutting tool is damaged, replace it immediately.** Use of a damaged cutting tool could result in serious personal injury.

Put the shoulder harness on your left shoulder by putting your head and right arm through it and keep the tool on your right side while always keeping the barrier in front of your body.

#### Attachment of shoulder harness (Fig. 14)

Adjust the harness length so that the cutting tool is kept parallel with the ground.

Connect the hanger and the harness.

##### WARNING:

- **Be extremely careful to maintain control of the tool at all times. Do not allow the tool to be deflected toward you or anyone in the work vicinity.** Failure to keep control of the tool could result in serious injury to the bystander and the operator.

#### Adjustment of the hanger position and shoulder harness (Fig. 15)

Adjust the hanger position as illustrated. (Fig. 16)

To change the hanger position, loosen the bolt on the hanger. Then move the hanger.

After adjusting the hanger position, tighten the bolt with the wrench securely.

## MAINTENANCE

##### WARNING:

- **Always be sure that the tool is switched off and unplugged before attempting to perform inspection or maintenance on the tool.** Failure to switch off and unplug may result in serious personal injury from accidental start-up.

##### NOTICE:

- Never use gasoline, benzene, thinner, alcohol or the like. Discoloration, deformation or cracks may result.

### Replacing the nylon cord (Fig. 17)

##### WARNING:

- **Make sure that the nylon cutting head is secured to the tool properly before operation.** Failure to properly secure the nylon cutting head may cause it to fly apart resulting in serious personal injury.

1. Remove the nylon cutting head.
2. Take off the cover, pressing two latches which are slotted section oppositely on side of the cup.
3. Remove the spool. And remove the old nylon cord from the spool.
4. Cut a nylon line in 3 – 6 m. Fold the cutting line in two halves, leave one of half longer 80 – 100 mm than another. (Fig. 18)
5. Hook the middle of the new nylon cord to the notch located at the center of the spool between the two channels provided for the nylon cord. (Fig. 19)
6. Wind both ends firmly along the channels in the direction indicated by arrow mark on the spool. (Fig. 20)
7. Put the nylon cords through the eyelets to come out of the cup.
8. Align the protrusion on the underside of the cover with the slots of the eyelets. Then push the cover firmly onto the cup to secure it. Make sure the latches fully spread in the cover.

To maintain product SAFETY and RELIABILITY, repairs, any other maintenance or adjustment should be performed by Makita Authorized Service Centers, always using Makita replacement parts.

## TROUBLE SHOOTING

Before asking for repairs, conduct your own inspection first. If you find a problem that is not explained in the manual, do not attempt to dismantle the tool. Instead, ask Makita Authorized Service Centers, always using Makita replacement parts for repairs.

Malfunction status	Cause	Action
Motor does not run.	Power mains is not plugged in.	Plug in the mains.
	Power cable broken.	Ask your local authorized service center for repair.
	The drive system does not work correctly.	
Motor stops running after a little use.	Overheating.	Stop using of tool to allow it to cool down.
It does not reach maximum RPM.	The drive system does not work correctly.	Ask your local authorized service center for repair.
Cutting tool does not rotate: stop the machine immediately!	Foreign object such as a branch is jammed between the guard and the cutting tool.	Remove the foreign object.
	Cutter blade fastening nut is loose.	Tighten the nut properly as described in this manual.
	The cutter blade is bended.	Replace the cutter blade.
	The drive system does not work correctly.	Ask your local authorized service center for repair.
Abnormal vibration: stop the machine immediately!	One end of the nylon cord has been broken.	Bump the nylon cutting head against the ground while it is rotating to cause the cord to feed.
	The cutter blade is bended, cracked or worn.	Replace the cutter blade.
	Cutter blade fastening nut is loose.	Tighten the nut properly as described in this manual.
	Cutter blade is fastened improperly.	
	The drive system does not work correctly.	Ask your local authorized service center for repair.
Cutting tool and motor cannot stop: Disconnect the mains plug immediately!	Electric or electronic malfunction.	Disconnect the mains plug and ask your local authorized service center for repair.

## OPTIONAL ACCESSORIES

### CAUTION:

- These accessories or attachments are recommended for use with your Makita tool specified in this manual. The use of any other accessories or attachments might present a risk of injury to persons. Only use accessory or attachment for its stated purpose.

If you need any assistance for more details regarding these accessories, ask your local Makita Service Center.

- Cutter blade
- Nylon cutting head
- Nylon cord (cutting line)
- Shoulder harness

### NOTE:

- Some items in the list may be included in the tool package as standard accessories. They may differ from country to country.

**Объяснение общего вида**

- |  |   |                               |
|--|---|-------------------------------|
| 1 Держатель кабеля   | 9 Кожух режущего инструмента (предохранитель) | 19 Круглая планка             |
| 2 Шнур питания (форма может различаться в зависимости от страны) | 10 Режущий инструмент                         | 20 Лезвие                     |
| 3 Задняя рукоятка  | 11 Напечное крепление                         | 21 Зажимная шайба             |
| 4 Рычаг разблокировки  | 12 Буфер                                      | 22 Колпак                     |
| 5 Спусковой крючок   | 13 Самая эффективная область резки            | 23 Гайка                      |
| 6 Передняя рукоятка  | 14 Рукоятка                                   | 24 Нейлоновая режущая головка |
| 7 Подвеска (точка подвешивания)                                  | 15 Резиновая часть                            | 25 Резак лески                |
| 8 Ограничитель   | 16 Внутренний предохранитель                  | 26 Крышка                     |
|  | 17 Внешний предохранитель                     | 27 Подвеска                   |
|  | 18 Приемная шайба                             | 28 80 – 100 мм                |
|  |   | 29 Бобина                     |

**ТЕХНИЧЕСКИЕ ХАРАКТЕРИСТИКИ**

Модель	UR2300	UR3502
Тип рукоятки	Петельная рукоятка	
Общая длина	1630 мм	
Мощность при непрерывной работе	1000 Вт	
Скорость без нагрузки	7800 мин <sup>-1</sup>	6500 мин <sup>-1</sup>
Режущий инструмент	Режущее лезвие	Нейлоновая режущая головка
Ширина резки	230 мм	350 мм
Вес нетто	4,7 кг	4,9 кг
Класс безопасности	II/II	

- Вследствие нашей постоянной программы исследования и развития приведенные технические характеристики могут быть изменены без уведомления.
- Технические характеристики могут различаться в зависимости от страны.
- Вес в соответствии с процедурой EPTA 01/2003



- Используйте защитную каску, защитные очки и средства защиты слуха.



- Надевайте защитные рукавицы.



- Надевайте крепкую обувь с нескользящей подошвой. Рекомендуется крепкая надежная обувь.



- Будьте особенно аккуратны и внимательны.



- Не подвергайте воздействию влаги.



- Прочитайте руководство по эксплуатации.



- Отсоедините сетевую вилку, если шнур поврежден или запутан.



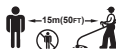
- Опасно; опасность летящих предметов.



- Не допускайте отдачи.



- Расстояние между инструментом и окружающими лицами должно быть, по крайней мере, 15 м.



- Сохраняйте дистанцию, по крайней мере, в 15 м.



- Не допускайте окружающих лиц.

## ВАЖНЫЕ ПРАВИЛА ТЕХНИКИ БЕЗОПАСНОСТИ

**⚠ ПРЕДОСТЕРЕЖЕНИЕ!** Прочитайте все предупреждения относительно безопасности и все инструкции. Несоблюдение предупреждений и инструкций может привести к поражению электрическим током, пожару и/или серьезной травме.

**Сохраните все предупреждения и инструкции для дальнейшего использования.**

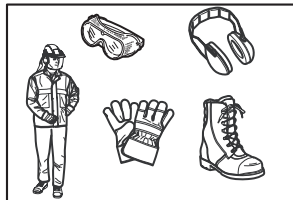
### Предполагаемое использование

1. Электрокоса / кусторез / триммер предназначен только для стрижки травы, сорняков, кустов и подлеска. Его не следует использовать ни для каких иных целей, например, для обрезания или стрижки живых изгородей, так как это может привести к травме.

### Общие указания

1. Не позволяйте использовать инструмент людям, не знакомым с данной инструкцией, лицам (включая детей) с ограниченными физическими, чувственными или психическими способностями, а также неопытными и некомпетентными лицам. Дети должны находиться под присмотром, чтобы была уверенность, что они не играют с инструментом.
2. Перед запуском инструмента прочитайте данную инструкцию по эксплуатации, чтобы ознакомиться с обращением с инструментом.
3. Не давайте пользоваться инструментом людям с недостаточным опытом или знаниями, касающимися обращения с кусторезами или триммерами.
4. Давая пользоваться инструментом, обязательно прикрепляйте к нему инструкцию по эксплуатации.
5. Обращайтесь с инструментом с особой осторожностью и вниманием.
6. Никогда не используйте инструмент после употребления алкоголя или лекарственных препаратов, а также в случае усталости или плохого самочувствия.
7. Ни в коем случае не пытайтесь модифицировать инструмент.
8. Будьте осторожны, чтобы не получить травму от устройства для обрезки длины режущего волокна. После удлинения новой линии резки обязательно верните механизм в нормальное рабочее положение перед тем, как включить его.
9. Выполняйте правила, касающиеся обращения с кусторезами и триммерами, для Вашей страны.

### Индивидуальное защитное оборудование



1. Надевайте защитную каску, защитные очки и защитные рукавицы, чтобы обезопасить себя от летящих обрезков или падающих предметов.
2. Используйте защитные приспособления для органов слуха, например, заглушающие наушники, во избежание потери слуха.
3. Для безопасной работы надевайте подходящую одежду и обувь, например, рабочий комбинезон и крепкие нескользящие ботинки. Не носите свободную одежду или украшения. Свисающие одежда, украшения или длинные волосы могут быть захвачены движущимися частями.
4. При необходимости контакта с режущим лезвием надевайте защитные рукавицы. Режущие лезвия могут серьезно поранить руки.

### Правила безопасности для рабочей области

1. Работайте с инструментом только при хорошей видимости и в условиях дневного света. Не работайте с инструментом в темноте или в тумане.
2. Не используйте инструмент во взрывоопасной атмосфере, например, в присутствии огнеопасных жидкостей, газов или пыли. Инструмент создает искры, которые могут привести к воспламенению пыли или паров.
3. Во время работы никогда не стойте на неустойчивой или скользкой поверхности или на склонах. В холодное время избегайте льда и снега, а также всегда убеждайтесь в наличии устойчивой опоры для ног.
4. Во время работы не допускайте окружающих лиц и домашних животных на расстояние, по крайней мере, в 15 м от инструмента. Выключайте инструмент, как только кто-либо приближается к Вам.
5. Перед работой проверьте рабочую область на наличие камней и других твердых предметов. Они могут быть отброшены или вызвать опасную отдачу, что приведет к серьезной травме и/или повреждению собственности.
6. **⚠ ПРЕДОСТЕРЕЖЕНИЕ:** При использовании этого изделия может образовываться пыль, содержащая химические вещества, которые могут вызывать респираторные или другие заболевания. Некоторыми примерами таких химических веществ являются соединения, найденные в пестицидах, инсектицидах, удобрениях и гербицидах. Опасность от этих веществ для Вас различается в зависимости от того, как часто Вы выполняете работу такого типа. Чтобы уменьшить воздействие таких химических веществ: работайте в хорошо проветриваемом месте, а также работайте с подтвержденным защитными приспособлениями, например, с пылезастытными масками, специально разработанными для фильтрации микроскопических частиц.

## Правила электробезопасности

1. Штепсельные вилки инструмента должны соответствовать розетке. **Никогда не модифицируйте штепсельную вилку. Не используйте никакие штепсель-переходники с заземленными (замкнутыми на землю) электрическими инструментами.** Немодифицированные штепсельные вилки и соответствующие розетки уменьшают опасность поражения электрическим током.
2. **Избегайте контакта тела с замкнутыми на землю или заземленными поверхностями, например, трубами, радиаторами, кухонными плитами и холодильниками.** Опасность поражения электрическим током возрастает, если Ваше тело замкнуто на землю или заземлено.
3. Не подвергайте инструмент воздействию дождя или влаги. Попадание воды в инструмент увеличит опасность поражения электрическим током.
4. **Не нарушайте правила эксплуатации шнура. Никогда не используйте шнур для переноски электрического инструмента, подтягивания или отсоединения его от сети. Держите шнур подальше от тепла, масла, острых углов или движущихся частей.** Поврежденные или запутанные шнуры увеличивают опасность поражения электрическим током.
5. Не используйте электрический инструмент, если переключатель не включает или не выключает его. Любой инструмент, который не может управляться с помощью переключателя, является опасным и должен быть отремонтирован.
6. **При эксплуатации электрического инструмента на улице используйте удлинительный шнур, подходящий для наружного использования.** Использование шнура, подходящего для наружного использования, уменьшает опасность поражения электрическим током.
7. **Если необходимо использовать электрический инструмент во влажном месте, используйте линию электропитания с устройством защиты по дифференциальному току (УЗО).** Использование УЗО уменьшает опасность поражения электрическим током.
8. **Рекомендуется использовать линию электропитания с УЗО с номинальным остаточным током 30 мА или меньше.**
9. Не допускайте случайного запуска инструмента. Убедитесь в том, что переключатель находится в выключенном положении перед подсоединением к источнику электропитания, поднятием или переноской инструмента. Переноска электрических инструментов с пальцем, расположенном на переключателе, или подсоединение к сети электрических инструментов, у которых переключатель находится во включенном положении, служат причиной несчастных случаев.
10. Перед использованием проверьте шнур питания и удлинительный шнур на наличие следов повреждения или износа.
11. Если шнур повредился во время использования, немедленно отсоедините шнур от сети питания. **Не прикасайтесь к шнуру до отсоединения от сети питания.**

12. Не используйте инструмент, если шнуры повреждены или изношены.
13. Держите удлинительный шнур вдали от режущих элементов.

## Подготовка к работе

1. Перед сборкой или регулировкой инструмента отсоедините вилку от источника питания.
2. Перед обращением с режущим лезвием наденьте защитные рукавицы.
3. Перед подключением к сети проверьте инструмент на наличие повреждений, раскрутившихся винтов/гаек или неправильной сборки. Заточите тупое режущее лезвие. Если режущее лезвие согнуто или повреждено, замените его. Проверьте, чтобы все управляющие рычаги и переключатели легко работали. Очистите и высушите рукоятки.
4. Никогда не пытайтесь включать инструмент, если он поврежден или не полностью собран. В противном случае это может привести к серьезной травме.
5. Перед тем, как включать инструмент, удалите все регулировочные приспособления или гаечные ключи. Гаечный ключ или ключ, оставленные прикрепленными к вращающимся частям инструмента, могут привести к травме.
6. Отрегулируйте наплечное крепление и наручный захват для соответствия размерам тела оператора.
7. При включении держите режущее приспособление на расстоянии от тела и других предметов, включая землю. При запуске оно может вращаться, что может привести к травме или повреждению инструмента и/или собственности.

## Эксплуатация

1. В случае чрезвычайной ситуации немедленно выключите инструмент.
2. Если Вы чувствуете необычное состояние (например, шум, вибрацию) во время работы, выключите инструмент. Не используйте инструмент, пока не будет найдена и устранена причина.
3. Предостережение. Режущее приспособление продолжает вращаться еще некоторое время после выключения инструмента. Не торопитесь дотрагиваться до режущего приспособления.
4. Во время работы используйте наплечное крепление. Крепко держите инструмент с правой стороны.
5. Не перенапрягайтесь. Постоянно сохраняйте надлежащую устойчивость и равновесие. Чтобы не споткнуться, следите за скрытыми препятствиями, например, обрубками деревьев, корнями и канавами.
6. Во избежание потери контроля ни в коем случае не работайте на лестнице или дереве.
7. Перед использованием механизма и после любого сильного удара или падения проверьте его состояние перед тем, как продолжить работать. Проверьте органы управления и защитные приспособления на наличие неисправностей. При наличии повреждений или сомнений обратитесь в уполномоченный центр по техобслуживанию для проверки и ремонта.
8. Не касайтесь коробки скоростей. Коробка скоростей нагревается во время работы.

9. Делайте перерывы для предотвращения потери контроля из-за усталости. Рекомендуется делать 10 – 20 минутный перерыв каждый час.
10. Когда Вы оставляете инструмент, даже на короткое время, обязательно отсоединяйте сетевую вилку. Инструмент, оставленный без присмотра во включенном состоянии, может использоваться неуполномоченными лицами и вызвать серьезные несчастные случаи.
11. Если трава или ветки застряли между режущим приспособлением и кожухом, обязательно отключите инструмент и отсоедините сетевую вилку перед чисткой. В противном случае режущее приспособление может неожиданно начать вращаться, что приведет к серьезной травме.
12. Если режущее приспособление ударилось о камни или другие твердые предметы, немедленно выключите инструмент. Затем отсоедините сетевую вилку и проверьте режущее приспособление.
13. Часто проверяйте режущее приспособление во время работы на наличие трещин или повреждений. Перед проверкой отсоедините сетевую вилку и подождите, пока режущее приспособление полностью не остановится. Немедленно замените поврежденное режущее приспособление, даже если оно имеет только внешние трещины.
14. Никогда не выполняйте резку выше уровня пояса.
15. Перед началом режущих работ подождите, пока режущее приспособление не наберет постоянную скорость после включения инструмента.
16. При использовании металлических лезвий равномерно водите инструмент по полукругу справа налево, как при использовании косы.
17. Держите инструмент только за изолированные поверхности захвата, так как режущее лезвие может соприкоснуться со скрытыми проводами. Режущие лезвия, соприкасающиеся с проводом “под напряжением”, могут привести к тому, что открытые металлические части инструмента станут “под напряжением”, а это может привести к поражению оператора электрическим током.
18. Обязательно убедитесь, что вентиляционные отверстия свободны от обрезков.

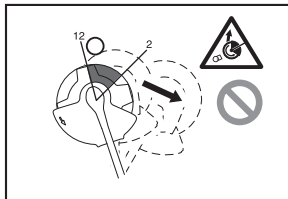
### Режущие приспособления

1. Используйте применимое режущее приспособление для работы в руках.
  - Нейлоновые режущие головки (головки триммера) подходят для резки газонной травы.
  - Металлические лезвия подходят для резки сорняков, высокой травы, кустов, кустарника, подлеска, зарослей и т.п.
  - Ни в коем случае не используйте другие лезвия, включая металлические составные вращающиеся цепи и цеповые лезвия. Это может привести к серьезной травме.
2. Обязательно используйте кожух режущего приспособления, надлежащим образом прикрепленный к используемому режущему приспособлению.
3. Никогда не устанавливайте металлические режущие элементы к моделям с нейлоновым резакком.

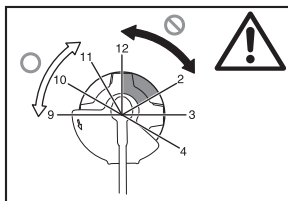
4. При использовании металлических лезвий опасайтесь “отдачи” и всегда будьте готовы к неожиданной отдаче. См. раздел “Отдача”.

### Отдача (Удар лезвием)

1. Отдача (удар лезвием) - это неожиданная реакция застрявшего или согнутого режущего лезвия. Если это происходит, инструмент дергается в сторону или в направлении оператора с большой силой, что может привести к серьезной травме.
2. Особенно часто отдача происходит при прикладывании сегмента лезвия между 12 и 2 часами к твердым предметам, кустам и деревьям с диаметром 3 см и больше.



3. Для предотвращения отдачи:
  - Прикладывайте сегмент между 8 и 11 часами.
  - Никогда не прикладывайте сегмент между 12 и 2 часами.
  - Никогда не прикладывайте сегмент между 11 и 12 часами и между 2 и 5 часами, если только оператор не имеет специального обучения и опыта и не делает это на свой собственный риск.
  - Никогда не используйте режущие лезвия рядом с твердыми предметами, например, заборами, стенами, стволами деревьев или камнями.
  - Никогда не используйте режущие лезвия вертикально, для таких операций как обрезка или стрижка живых изгородей.



### Вибрация

1. Люди с плохой циркуляцией крови под воздействием чрезмерной вибрации могут испытывать повреждения в кровеносных сосудах или нервной системе. Вибрация может вызывать следующие симптомы в пальцах, руках и запястьях: “Онемение” (потеря чувствительности), покалывание, боль, ощущение уколов, изменение цвета кожи или вида кожи. При возникновении таких симптомов, обратитесь к врачу!
2. Чтобы удалить риск “болезни белых пальцев”, держите руки в тепле во время работы и выполняйте техническое обслуживание инструмента и принадлежностей.



## Перевозка

1. Перед перевозкой инструмента выключите его и отсоедините сетевую вилку. Прикрепите крышку к режущему лезвию.
2. При перевозке инструмента держите его в горизонтальном положении, удерживая за вал.
3. При перевозке инструмента в транспортном средстве закрепите его надлежащим образом во избежании переворачивания. В противном случае может произойти повреждение инструмента или другого багажа.

## Техническое обслуживание

1. Ваш инструмент необходимо обслуживать в нашем уполномоченном центре по техобслуживанию, всегда используя только оригинальные запасные части. Неправильный ремонт и плохое техническое обслуживание может сократить срок службы инструмента и увеличить опасность несчастных случаев.
2. Перед выполнением технического обслуживания или ремонтных работ, а также перед чисткой инструмента, обязательно выключите его и отсоедините сетевую вилку.
3. Обязательно надевайте защитные рукавицы при обращении с режущим лезвием.
4. Обязательно очищайте пыль и загрязнения с инструмента. Ни в коем случае не используйте для этой цели бензин, бензолин, растворители, спирт и подобные вещества. Это может привести к обесцвечиванию, деформации или трещинам пластиковых частей.
5. После каждого использования закручивайте все винты и гайки.
6. Не пытайтесь выполнять техническое обслуживание или ремонт, не описанные в руководстве по эксплуатации. Для выполнения таких работ обратитесь в наш уполномоченный центр по техобслуживанию.
7. Обязательно используйте только наши оригинальные запасные части и приспособления. Использование запасных частей или приспособлений, поставляемых третьей стороной, может привести к поломке инструмента, нанесению ущерба собственности и/или серьезной травме.
8. Регулярно обращайтесь в наш уполномоченный центр по техобслуживанию для проверки и технического обслуживания инструмента.

## Хранение

1. Перед хранением инструмента выполните полную очистку и техническое обслуживание. Отсоедините сетевую вилку. Прикрепите крышку к режущему лезвию.
2. Храните инструмент в сухом и высокорасположенном или запирающемся месте вне доступа детей.
3. Не прислоняйте инструмент, например, к стене. В противном случае он может случайно упасть и нанести травму.

## Первая помощь

1. Обязательно имейте поблизости аптечку для оказания первой помощи. Немедленно заменяйте предметы, взятые из аптечки первой помощи.
2. При обращении за помощью предоставьте следующую информацию:
  - Место несчастного случая
  - Что произошло
  - Количество травмированных людей
  - Вид травмы
  - Ваше имя

## СОХРАНИТЕ ЭТУ ИНСТРУКЦИЮ.

### ⚠ ПРЕДОСТЕРЕЖЕНИЕ:

**НЕ** позволяйте удобству или близкому знакомству с изделием (полученным в результате частого использования) заменить строгое соблюдение правил безопасности для указанного изделия. **НЕПРАВИЛЬНОЕ ИСПОЛЬЗОВАНИЕ** или несоблюдение правил безопасности, изложенных в этой инструкции по эксплуатации, может привести к серьезной травме.

## ОПИСАНИЕ ЧАСТЕЙ (Рис. 1)

## ОПИСАНИЕ ФУНКЦИОНИРОВАНИЯ

### ⚠ ПРЕДОСТЕРЕЖЕНИЕ:

- Следует всегда быть уверенным, что инструмент выключен и отсоединен от сети перед настройкой или проверкой функционирования инструмента. Если его не выключить и не отсоединить от сети, это может привести к серьезной травме из-за случайного запуска.

## Операция включения питания (Рис. 2)

### ⚠ ПРЕДОСТЕРЕЖЕНИЕ:

- Перед подсоединением к сети всегда выполняйте проверку, чтобы увидеть, что спусковой крючок действует правильно и возвращается в положение "OFF" (выкл.) после высвобождения. Не тяните сильно спусковой крючок без сдвигания рычага разблокировки. Это может привести к поломке переключателя. Работа с инструментом, когда переключатель функционирует ненадлежащим образом, может привести к потере контроля и серьезной травме.

Для предотвращения случайного нажатия спускового крючка предусмотрен рычаг разблокировки.

Чтобы запустить инструмент, сдвиньте рычаг разблокировки вперед, а затем потяните спусковой крючок. Для остановки высвободите спусковой крючок.

## Нейлоновая режущая головка (Рис. 3)

### ЗАМЕЧАНИЕ:

- Не пытайтесь ударом выполнять подачу головки, пока инструмент работает с на высоких оборотах. Подача ударом при высоких оборотах может привести к повреждению нейлоновой режущей головки.
- Подача ударом будет работать ненадлежащим образом, если головка не вращается.

#### ПРИМЕЧАНИЕ:

- Стандартная принадлежность различается в зависимости от модели и страны.

Нейлоновая режущая головка представляет собой двойную головку для обрезания травы с механизмом удара и подачи.

Чтобы подавать нейлоновую леску, ударьте режущей головкой о землю, пока режущая головка вращается.

#### ПРИМЕЧАНИЕ:

- Если нейлоновая леска не подается при ударе головкой, перемотайте/замените нейлоновую леску в соответствии с процедурами, описанными в разделе “Техническое обслуживание”.

#### Держатель кабеля (Рис. 4)

Сделайте небольшую петлю из кабеля питания и подвесьте его на держатель кабеля.

### СБОРКА

#### ⚠ ПРЕДОСТЕРЕЖЕНИЕ:

- Следует всегда быть уверенным, что инструмент выключен и отсоединен от сети перед выполнением любых работ с инструментом. Если его не выключить и не отсоединить от сети, это может привести к серьезной травме из-за случайного запуска.
- Никогда не запускайте инструмент, если он не полностью собран. Работа инструмента в частично собранном состоянии может привести к серьезной травме из-за случайного запуска.

#### Установка рукоятки (Рис. 5)

#### ⚠ ПРЕДОСТЕРЕЖЕНИЕ:

- Не извлекайте и не уменьшайте распорку или буфер. Распорка поддерживает определенное расстояние между обеими руками. Установка узла захвата/ограничителя рядом с другим захватом за длиной распорки может привести к потере контроля и серьезной травме.

Установите рукоятку и ограничитель на резиновую часть на трубе вала. Отрегулируйте положение рукоятки, а затем закрепите ее четырьмя болтами.

#### Подтвержденная комбинация режущего инструмента и предохранителя

#### ⚠ ПРЕДОСТЕРЕЖЕНИЕ:

- Обязательно используйте инструмент с подтвержденной комбинацией защитных приспособлений. В противном случае контакт с режущим инструментом может привести к серьезной травме.
- Никогда не используйте инструмент без кожуха, установленного на месте. Несоблюдение этого требования может привести к серьезной травме.

#### ПРИМЕЧАНИЕ:

- Стандартная принадлежность различается в зависимости от модели и страны.

#### Для режущего лезвия (Рис. 6)

#### Для нейлоновой режущей головки (Рис. 7)

#### Установка предохранителя для режущего лезвия (Рис. 8)

1. Совместите отверстия на внутреннем предохранителе с отверстиями на коробке скоростей.

2. Затем завинтите их с помощью трех болтов.

#### Установка предохранителя для нейлоновой головки

#### ⚠ ПРЕДУПРЕЖДЕНИЕ:

- Будьте внимательны, чтобы не нанести себе травму резакром для резки нейлоновой лески.
- Не забудьте удалить предохранитель резака перед использованием.

1. Совместите четыре болта на внешнем предохранителе с отверстиями на внутреннем предохранителе. (Рис. 9)
2. Закрепите их с помощью четырех болтов.
3. Совместите отверстия на внутреннем предохранителе с отверстиями на коробке скоростей.
4. Закрепите их с помощью болтов. (Рис. 10)

#### Установка режущего лезвия

#### ⚠ ПРЕДОСТЕРЕЖЕНИЕ:

- Внешний диаметр режущего лезвия должен составлять 230 мм. Ни в коем случае не используйте лезвие, внешний диаметр которого превышает 230 мм.

#### ⚠ ПРЕДУПРЕЖДЕНИЕ:

- Режущее лезвие должно быть хорошо отполировано и не иметь трещин или повреждений. Полируйте или заменяйте режущее лезвие через каждые три часа работы.
- Обязательно надевайте защитные перчатки при обращении с режущим лезвием.
- Обязательно прикрывайте крышку лезвия, когда инструмент не используется или перевозится.
- Гайка, фиксирующая режущее лезвие, изнашивается с течением времени. При возникновении износа или деформации, замените гайку. Обратитесь за заказом новой гайки в Ваш местный уполномоченный центр по техобслуживанию.

#### ЗАМЕЧАНИЕ:

- Обязательно используйте оригинальное режущее лезвие.

Поверните инструмент нижней частью вверх, так чтобы Вы могли легко заменить режущее лезвие.

#### (Рис. 11)

1. Установите приемную шайбу на ось.
2. Поворачивайте приемную шайбу, пока прорезь на приемной шайбе не войдет в прорезь на коробке скоростей.
3. Вставьте круглую планку через обе прорези, так чтобы приемная шайба не могла поворачиваться.
4. Поместите лезвие на приемную шайбу.
5. Поместите зажимную шайбу на лезвие.
6. Поместите колпак на лезвие.
7. Закрепите их с помощью гайки, поворачивая ее против часовой стрелки, удерживая при этом круглую планку.

Чтобы удалить лезвие, выполните приведенные выше действия в обратном порядке.

## Установка нейлоновой режущей головки (Рис. 12)

### ЗАМЕЧАНИЕ:

- Обязательно используйте оригинальную нейлоновую режущую головку.

Поверните инструмент нижней частью вверх, так чтобы Вы могли легко заменить нейлоновую режущую головку.

### ПРИМЕЧАНИЕ:

- Удалите крышку на резаке лески перед использованием.

1. Установите приемную шайбу на ось.
2. Поворачивайте приемную шайбу, пока прорезь на приемной шайбе не войдет в прорезь на коробке скоростей.
3. Вставьте круглую планку через обе прорези, так чтобы приемная шайба не могла поворачиваться.
4. Установите нейлоновую режущую головку, поворачивая ее против часовой стрелки.
5. Удалите круглую планку после установки нейлоновой режущей головки.

Чтобы удалить нейлоновую режущую головку, выполните приведенные выше действия в обратном порядке.

## ЭКСПЛУАТАЦИЯ

### Правильное обращение с инструментом (Рис. 13)

#### Правильное положение

#### ⚠ ПРЕДОСТЕРЕЖЕНИЕ:

- Обязательно располагайте инструмент со стороны Вашей правой руки, чтобы ограничитель всегда был перед телом. Правильное расположение инструмента обеспечивает максимальный контроль и уменьшает опасность серьезных травм, вызванных отдачей.

#### ⚠ ПРЕДУПРЕЖДЕНИЕ:

- Если во время работы режущий инструмент неожиданно ударится о каменный или твердый предмет, остановите инструмент и проверьте на наличие повреждений. Если режущий инструмент поврежден, немедленно замените его. Использование поврежденного режущего инструмента может привести к серьезной травме.

Поместите наплечное крепление на левое плечо, продев голову и правую руку сквозь него, и держите инструмент с правой стороны, обязательно с ограничителем перед телом.

#### Прикрепление наплечного крепления (Рис. 14)

Отрегулируйте длину крепления, чтобы режущий инструмент располагался параллельно земле.

Прикрепите подвеску и крепление.

#### ⚠ ПРЕДОСТЕРЕЖЕНИЕ:

- Будьте особенно внимательны, чтобы обеспечивать постоянный контроль над инструментом. Не позволяйте инструменту отклоняться в Вашу сторону или в сторону других людей в рабочей зоне. Отсутствие постоянного контроля над инструментом может привести к серьезным травмам окружающих людей и оператора.

## Регулировка положения подвески и наплечного крепления (Рис. 15)

Отрегулируйте положение подвески, как показано на рисунке. (Рис. 16)

Чтобы изменить положение подвески, открутите болт на подвеске. Затем перемещайте подвеску. После регулировки положения подвески надежно закрепите болт с помощью гаечного ключа.

## ТЕХНИЧЕСКОЕ ОБСЛУЖИВАНИЕ

### ⚠ ПРЕДОСТЕРЕЖЕНИЕ:

- Следует всегда быть уверенным, что инструмент выключен и отсоединен от сети перед выполнением проверки или технического обслуживания инструмента. Если его не выключить и не отсоединить от сети, это может привести к серьезной травме из-за случайного запуска.

### ЗАМЕЧАНИЕ:

- Ни в коем случае не используйте бензин, бензолин, растворители, спирт и подобные вещества. Это может привести к обесцвечиванию, деформации или появлению трещин.

### Замена нейлоновой лески (Рис. 17)

#### ⚠ ПРЕДОСТЕРЕЖЕНИЕ:

Перед работой убедитесь, что нейлоновая режущая головка надлежащим образом прикреплена к инструменту. Ненадлежащее прикрепление нейлоновой режущей головки может привести к тому, что она отлетит, вызывая серьезные травмы.

1. Удалите нейлоновую режущую головку.
2. Снимите крышку, нажимая две защелки, которые вставлены в секцию на стороне, противоположной коллаку.
3. Удалите бобину. Затем удалите старую нейлоновую леску из бобины.
4. Нарезьте нейлоновую леску на куски по 3 – 6 м. Сверните разрезанную леску на две половины, оставляя одну половину на 80 – 100 мм длиннее другой. (Рис. 18)
5. Прикрепите середину новой нейлоновой лески к зубцу, расположенную в центре бобины между двумя каналами, предназначенными для нейлоновой лески. (Рис. 19)
6. Надежно проложите оба конца вдоль канала в направлении, указанном меткой со стрелкой на бобине. (Рис. 20)
7. Пропустите нейлоновые лески через ушки, чтобы они вышли из коллака.
8. Совместите выступ на нижней части крышки с бороздками на ушках. Затем сильно вдавите крышку в коллак, чтобы закрепить его. Убедитесь, что защелки полностью вошли в крышку.

Для БЕЗОПАСНОЙ и НАДЕЖНОЙ эксплуатации изделия ремонт, любое другое обслуживание или регулировка должны проводиться в уполномоченных центрах по техобслуживанию Makita, всегда используя запасные части Makita.

## ПОИСК И УСТРАНЕНИЕ НЕИСПРАВНОСТЕЙ

Перед обращением за ремонтом сначала проведите самостоятельную проверку. Если Вы обнаружили проблему, которая не описана в руководстве, не пытайтесь разбирать инструмент. Вместо этого обратитесь за ремонтом в уполномоченный центр по техобслуживанию Makita с обязательным использованием запасных частей Makita.

Состояние неисправности	Причина	Действие
Мотор не работает.	Сетевая розетка не подключена.	Подключите к сетевой розетке.
	Поврежден кабель питания.	Обратитесь за ремонтом в Ваш местный уполномоченный центр по техобслуживанию.
	Приводной механизм работает неправильно.	
Мотор прекращает работать после кратковременного использования.	Перегрев.	Прекратите использование инструмента, чтобы дать ему остыть.
Не достигается максимальное количество оборотов.	Приводной механизм работает неправильно.	Обратитесь за ремонтом в Ваш местный уполномоченный центр по техобслуживанию.
Режущий инструмент не вращается: немедленно остановите механизм!	Посторонний предмет, например, ветка, зажат между кожухом и режущим инструментом.	Удалите посторонний предмет.
	Открутилась гайка, крепящая режущее лезвие.	Закрепите гайку надлежащим образом, как описано в данном руководстве.
	Режущее лезвие согнуто.	Замените режущее лезвие.
	Приводной механизм работает неправильно.	Обратитесь за ремонтом в Ваш местный уполномоченный центр по техобслуживанию.
Ненормальная вибрация: немедленно остановите механизм!	Один конец нейлоновой лески поврежден.	Ударьте нейлоновую режущую головку о землю, пока она вращается, чтобы вызвать подачу лески.
	Режущее лезвие согнуто, треснуло или изношено.	Замените режущее лезвие.
	Открутилась гайка, крепящая режущее лезвие.	Закрепите гайку надлежащим образом, как описано в данном руководстве.
	Режущее лезвие закреплено неправильно.	
Приводной механизм работает неправильно.	Обратитесь за ремонтом в Ваш местный уполномоченный центр по техобслуживанию.	
Невозможно остановить режущий инструмент и мотор: Немедленно отсоедините сетевую вилку!	Электрическая или электронная неисправность.	Отсоедините от сетевую вилку и обратитесь за ремонтом в Ваш местный уполномоченный центр по техобслуживанию.

## ДОПОЛНИТЕЛЬНЫЕ ПРИНАДЛЕЖНОСТИ

### ПРЕДУПРЕЖДЕНИЕ:

- Эти принадлежности или приспособления рекомендуются для использования с Вашим инструментом Makita, указанным в руководстве. Использование любых других принадлежностей или приспособлений может привести к травме. Используйте принадлежности или приспособления только для указанных целей.

Если Вам необходима какая-либо помощь относительно дальнейших подробностей об этих принадлежностях, обращайтесь в Ваш местный центр по техобслуживанию Makita.

- Режущее лезвие
- Нейлоновая режущая головка
- Нейлоновая леска (линия резки)
- Наплечное крепление

### ПРИМЕЧАНИЕ:

- Некоторые пункты в списке могут быть включены в комплект поставки инструмента как стандартные принадлежности. Они могут различаться в зависимости от страны.

Пояснення до загального вигляду

1 Тримач шнура	10 Різальний інструмент	21 Фіксуюча шайба
2 Шнур живлення (форма може відрізнятись в залежності від країни)	11 Плечовий ремінь	22 Ковпачок
3 Задня ручка	12 Амортизатор	23 Гайка
4 Важіль блокування	13 Найбільш ефективна різальна частина	24 Ріжуча головка з нейлоновим кордом
5 Пусковий курок	14 Ручка	25 Кордовий ніж
6 Передня ручка	15 Гумова частина	26 Кришка
7 Підвіс (точка підвішування)	16 Внутрішній захист	27 Підвіс
8 Бар'єр	17 Зовнішній захист	28 80 – 100 мм
9 Захисний кожух різального інструмента (захист)	18 Приймальна шайба	29 Котушка
	20 Лезо	


ТЕХНІЧНІ ХАРАКТЕРИСТИКИ

Модель	UR2300	UR3502
Тип ручки	Ручка-скоба	
Загальна довжина	1630 мм	
Номінальна потужність при безперервній роботі	1000 Вт	
Оберти холостого ходу	7800 хв <sup>-1</sup>	6500 хв <sup>-1</sup>
Різальний інструмент	Ріжуча пластина	Тримерна головка з нейлоновим кордом
Ширина підстригання	230 мм	350 мм
Вага нетто	4,7 кг	4,9 кг
Клас безпеки	II / II	


- У зв'язку з постійно діючою програмою дослідження та розробки наведені технічні характеристики можуть змінюватись без повідомлення.
- Технічні характеристики можуть відрізнятись в залежності від країни.
- Вага відповідає стандартам EPTA від 01/2003


Символи


Нижче наводяться символи, які можна знайти на цьому обладнанні. Обов'язково ознайомтесь із ними, перш ніж починати роботу.

 • Будьте особливо обережні та уважні.

 • Прочитайте керівництво.

 • Небезпека; можливий рикошет сторонніх предметів.

 • Відстань між інструментом та сторонніми особами має становити не менше 15 метрів.

 • Не дозволяйте стороннім особам наближатися.



• Надягайте шолом, захисні окуляри та застосовуйте захист органів слуху.



• Надягайте захисні рукавички.



• Надягайте міцне взуття із нековзною підошвою. Рекомендовано використовувати захисне взуття із сталевими носками.



• Бережіть від вологи.



• Якщо шнур пошкоджено або перекручено, вимкніть інструмент з розетки.



• Уникайте відбою.



• Забезпечте відстань не менше 15 метрів.

## ВАЖЛИВІ ЗАХОДИ БЕЗПЕКИ

**⚠ ПОПЕРЕДЖЕННЯ!** Прочитайте усі застереження та інструкції. Недотримання застережень та інструкцій може призвести до ураження електричним струмом, займання та/або тяжкої травми.

**Збережіть усі застереження та інструкції для подальшого використання.**

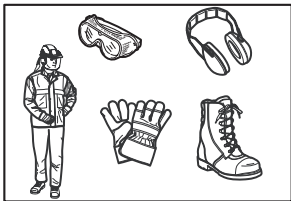
### Предбачуване використання

1. Електротриммер/кущоріз/електрокоса призначена лише для підстригання трави, бур'яну, кущів та підліска. Його не слід використовувати для будь-яких інших цілей, як-от обрізання або підстригання живої горожі, оскільки це може призвести до травмування.

### Загальні інструкції

1. Ніколи не дозволяйте користуватися інструментом особам, не знайомим із даною інструкцією, особам (включаючи дітей) з обмеженими фізичними, сенсорними та розумовими здібностями, а також особам з браком досвіду та знань. Наглядайте за дітьми та слідкуйте, щоб вони не гралися із інструментом.
2. Перш ніж вмикати інструмент, прочитайте це керівництво, щоб навчитись користуватися інструментом.
3. Не давайте інструмент особам, які не мають достатнього досвіду або знань з використання кущорізів та електрокос.
4. Якщо передаєте комусь інструмент, завжди також давайте це керівництво.
5. Використовуйте інструмент із максимальною обережністю та уважністю.
6. Ніколи не користуйтеся інструментом після споживання алкоголю чи наркотичних речовин, або якщо почуваете себе втомленим чи хворим.
7. Ніколи не намагайтесь виміняти інструмент.
8. Забезпечте захист, щоб не травмуватися пристроєм, встановленим для обрізання корду. Після натягнення нового тримерного корду повертайте машину до нормального робочого положення, перш ніж вмикати його.
9. Дотримуйтесь правил використання кущорізів та електрокос, що діють у вашій країні.

### Засоби індивідуального захисту



1. Одягайте захисний шолом, захисні окуляри та захисні рукавички, щоб захистити себе від сміття або предметів, що можуть вилітати з-під інструмента.
2. Використовуйте засоби захисту органів слуху, як-от захисні гумові кільця, щоб вберегти себе від втрати слуху.

3. Носіть відповідний одяг та взуття, призначені для безпечної роботи, як-от робочий комбінезон та міцне взуття із нековзною підшвою. Не одягайте вільний одяг або прикраси. Вільний одяг, прикраси або довге волосся можуть зачепитися за рухомі деталі.
4. Якщо треба торкатися леза, одягайте захисні рукавички. Леза можуть сильно порізати незахищені руки.

### Безпека робочого місця

1. Користуйтеся інструментом лише за умови доброї видимості та вдень. Не користуйтеся інструментом у темряві або у тумані.
2. Не користуйтеся інструментом у вибухонебезпечному середовищі, як наприклад, за наявності займистих рідин, газів або пилу. Інструмент створює іскри, які можуть запалити пил або пари.
3. Під час роботи ніколи не стійте на хиткій або слизькій поверхні чи на крутому схилі. У зимовий період будьте обережні із льодом та снігом, і завжди стійте міцно.
4. Під час роботи слідкуйте, щоб сторонні особи або тварини не наближались до інструменту ближче ніж на 15 метрів. Щойно хтось наблизиться, негайно зупиніть інструмент.
5. Перш ніж починати роботу, огляньте робочу зону на наявність каменів або інших твердих предметів. Вони можуть бути відкинутими або викликати небезпечний відбій та призвести до тяжких травм та/або пошкодження майна.
6. **⚠ ПОПЕРЕДЖЕННЯ:** Використання цього виробу може призвести до утворення пилу, що містить хімічні речовини, які можуть викликати респіраторні або інші захворювання. Такими речовинами можуть бути хімічні сполуки, що знаходяться у пестицидах, інсектицидах, добривах та гербицидах. Ризик впливу цих речовин залежить від того, як часто ви виконуєте такі роботи. Щоб знизити вплив таких хімічних речовин: працюйте у добре провітрюваному місці та використовуйте відповідне захисне спорядження, як-от пилозахисні маски, спеціально призначені для фільтрації мікроскопічних часток.

### Електрична безпека

1. **Вилка електроінструменту має відповідати розетці. Ніколи не змінюйте вилку. Не використовуйте жодні перехідні вилки із заземленими електроінструментами.** Використання не видозмінених вилок та відповідних розеток дозволяє зменшити ризик ураження електричним струмом.
2. **Не торкайтесь поверхонь заземлення, таких як труби, батареї, стелі та холодильники.** Якщо ваше тіло заземлене, існує підвищений ризик ураження електричним струмом.
3. Бережіть інструмент від дощу та вологи. Потрапляння всередину інструменту води призводить до підвищення ризику ураження електричним струмом.

4. **Бережіть шнур від ушкоджень. Ніколи не використовуйте шнур, щоб переносити, тягнути або вимикати електроінструмент з розетки. Не підносьте шнур до джерел тепла, масла, гострих країв та рухомих деталей.** Пошкодження або перекручування шнуру створює підвищений ризик ураження електричним струмом.
5. Не користуйтеся інструментом, якщо вимикач не вмикає та не вимикає інструмент. Будь-який інструмент, який неможливо контролювати за допомогою вимикача, є небезпечним і підлягає ремонту.
6. **Якщо електроінструмент застосовується на вулиці, користуйтеся шнуром-подовжувачем, призначеним для вулиці.** Використання шнура, призначеного для вулиці, зменшує ризик ураження електричним струмом.
7. **Якщо використання електроінструменту у вологих умовах неможливо уникнути, використовуйте із джерелом живлення пристрій захисного відключення (ПЗВ).** Використання ПЗВ зменшує ризик ураження електричним струмом.
8. **Джерело живлення має бути обладнане ПЗВ із номінальним залишковим струмом 30 мА або менше.**
9. Запобігайте **ненавмисному** запуску. Переконайтеся, що вимикач знаходиться у положенні вимкнення, перш ніж підключати інструмент до джерела живлення, піднімати або переносити його. Перенесення електроінструментів, тримаючи палець на вимикачі, або підключення електроінструментів із перемикачем у положенні увімкнення до джерела живлення становить велику небезпеку.
10. Перш ніж користуватися, перевірте шнур живлення та шнур-подовжувач на наявність пошкодження або старіння.
11. Якщо шнур пошкоджується під час використання, негайно від'єднайте шнур від джерела живлення. **Не торкайтесь шнура, перш ніж від'єднаєте його від джерела живлення.**
12. Не використовуйте інструмент, якщо шнури пошкоджені або зношені.
13. Тримайте шнур-подовжувач подалі від різальних елементів.
6. Відрегулюйте положення плечевого ремня та ручки відповідно до розмірів тіла оператора.
7. Під час вмикання інструмента в розетку тримайте різальну насадку подалі від тіла, інших предметів та землі. Під час пуску вона може почати обертатися і заподіяти травму або пошкодити інструмент та/або майно.

### Експлуатація

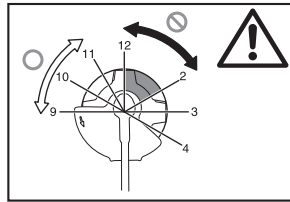
1. У разі екстреної ситуації негайно вимикайте інструмент.
2. Якщо під час роботи наявні будь-які незвичні умови (напр., шум, вібрації), вимкніть інструмент. Не користуйтеся інструментом, поки не встановите і не усунете причину.
3. Попередження. Після вмикання інструменту різальна насадка ще деякий час обертається. Не поспішайте торкатися різальної насадки.
4. Під час роботи використовуйте плечовий ремінь. Міцно тримайте інструмент праворуч.
5. Не тягніться. Завжди стійте упевнено та збалансовано. Будьте обережні із непомітними перешкодами, як-от пеньки, корені та канави, щоб не спіткнутися.
6. Ніколи не працюйте на драбині або дереві, щоб не втратити контроль.
7. Перш ніж користуватися машиною та після кожного сильного зіткнення або падіння, перевіряйте її стан. Перевіряйте засоби керування та захисні пристрої на наявність несправності. У разі будь-яких пошкоджень або сумнівів звертайтеся до нашого офіційного сервісного центру для огляду та ремонту.
8. Не торкайтесь коробки передач. Під час роботи коробка передач нагрівається.
9. Відпочивайте, щоб не втратити контроль через втому. Ми рекомендуємо відпочивати кожну годину по 10 – 20 хвилин.
10. Якщо ви залишаєте інструмент, навіть на короткий час, завжди вимикайте його з розетки. Підключеним до розетки інструментом, який ви залишили без нагляду, може скористатися стороння особа та заподіяти тяжких травм.
11. Якщо між різальною насадкою та захисним кожухом потрапляє трава чи гілки, перш ніж очистити, обов'язково вимкніть інструмент та витягніть його вилку з розетки. Інакше різальна насадка може випадково почати обертатися і завдати тяжкої травми.
12. Якщо різальна насадка потрапляє на камені або інші тверді предмети, негайно вимикайте інструмент. Потім вимкніть вилку з розетки та огляньте різальну насадку.
13. Під час роботи часто перевіряйте різальну насадку на наявність тріщин або пошкоджень. Перш ніж починати огляд, вимкніть вилку з розетки і зачекайте, доки різальна насадка повністю не зупиниться. Негайно замініть пошкоджену різальну насадку навіть за незначних тріщин.
14. Ніколи не рійте на висоті вище пояса.
15. Перш ніж починати підстригати, зачекайте, поки різальна насадка не досягне постійної швидкості після вмикання інструменту.
16. Під час використання металевих лез рівномірно проводьте інструмент справа наліво, немов косу.

### Підготовка до роботи

1. Перш ніж збирати або налаштовувати інструмент, вимкніть вилку з джерела живлення.
2. Перш ніж торкатися тримерного леза, надягніть захисні рукавички.
3. Перш ніж вмикати в розетку, огляньте інструмент на предмет пошкоджень, затягнення гвинтів/гайок або правильності збирання. Загостріть тупе тримерне лезо. Якщо тримерне лезо погнулось або пошкоджене, замініть його. Перевірте легкість роботи усіх важелів та перемикачів. Почистіть та висушіть ручки.
4. Ніколи не намагайтесь увімкнути інструмент, якщо його пошкоджено або не повністю зібрано. Інакше можливі тяжкі травми.
5. Перш ніж вмикати інструмент, приборіть усі розсувні або встановлювальні ключі. Якщо на обертовій деталі залишився ключ, це може стати причиною травми.



17. Тримайте інструмент лише за ізольовані поверхні для тримання, оскільки тримерне лезо може торкнутися непомітних проводів. Якщо тримерне лезо торкнеться проводу під напругою, відкриті металеві частини інструменту також можуть опинитися під напругою, що призведе до ураження оператора електричним струмом.
18. Завжди слідкуйте, щоб вентиляційні отвори були чисті від сміття.

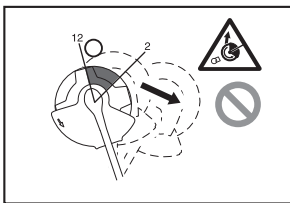


### Різальні насадки

1. Використовуйте різальні насадки, що відповідають поточній роботі.
  - Тримерні головки з нейлоновим кордом (тримерні головки із ліскою) призначені для підстригання газонної трави.
  - Металеві леза призначені для підстригання бур'янів, високої трави, кущів, чагарнику, підліску, заростей тощо.
  - Ніколи не використовуйте інші леза, включено і металевими складеними обертовими ланцюгами та шарнірними ножами. Це може призвести до тяжких травм.
2. Завжди використовуйте захисний кожух, призначений для встановленої різальної насадки.
3. Ніколи не встановлюйте металеві ріжучі елементи, на моделі із нейлоновим кордом.
4. Якщо використовуються металеві леза, уникайте відбою і будьте завжди готові до несподіваного відбою. Див. розділ "Відбій".

### Відбій (упирання леза)

1. Відбій (упирання леза) є різкою реакцією на застрягання тримерного леза. Якщо це трапляється, інструмент з великою силою відкидає убк або на оператора, що може стати причиною тяжкої травми.
2. Відбій трапляється особливо часто, коли до твердих предметів, кущів та дерев діаметром 3 см або більше застосовується частина леза, що відповідає сегменту годинника між 12 та 2 годинами.



3. Уникання відбою:
  - Застосовуйте частину леза між 8 та 11 годинами.
  - Ніколи не застосовуйте частину леза між 12 та 2 годинами.
  - Ніколи не застосовуйте частину леза між 11 та 12 годинами та між 2 та 5 годинами, якщо тільки оператор не має добру підготовку й досвід і робить це на свій ризик.
  - Ніколи не застосовуйте тримерні леза поблизу від твердих предметів, як-от огорожі, стіни, стовбури дерев та камені.
  - Ніколи не застосовуйте тримерні леза у вертикальному положенні для таких робіт як обрізання або підстригання живої горожі.

### Вібрація

1. Під впливом сильних вібрацій можливе травмування кровоносних судин або нервової системи осіб із поганим кровообігом. Вібрація може викликати у пальцях, руках та зап'ястях наступні симптоми: "засинання" (оніміння), поколювання, біль, стріляючий біль, зміна нормального вигляду та кольору шкіри. Якщо ви помічаєте будь-які із цих симптомів, зверніться до лікаря!
2. Щоб знизити ризик синдрому білих пальців, під час роботи тримайте руки у теплі та добре дотримуйтеся за інструментом й аксесуарами.

### Транспортування

1. Перш ніж транспортувати інструмент, вимкніть його та витягніть вилку з розетки. Встановіть на тримерне лезо кришку.
2. Під час транспортування інструменту переносьте його у горизонтальному положенні, тримаючи за трубу.
3. Якщо інструмент транспортується в автомобілі, надійно закріпіть його, щоб він не впав. Інакше можливе ушкодження інструменту та іншого багажу.

### Технічне обслуговування

1. Для обслуговування інструменту звертайтеся до нашого офіційного сервісного центру, та завжди використовуйте лише оригінальні запасні деталі. Неправильний ремонт та неякісне технічне обслуговування можуть призвести до скорочення терміну служби інструменту та підвищення ризику небезпечних ситуацій.
2. Перш ніж обслуговувати, ремонтувати або чистити інструмент, обов'язково вимкніть його та витягніть вилку з розетки.
3. Під час обслуговування тримерного леза завжди надягайте захисні рукавички.
4. Завжди чистіть інструмент від пилу та бруду. Ніколи не використовуйте для цього пальне, бензин, розчинник, спирт тощо. Це може призвести до знебарвлення, деформації або розтріскування пластикових частин.
5. Після кожного використання закручіть усі гвинти та гайки.
6. Не намагайтесь проводити технічне обслуговування або ремонт, якщо це не описано у цій інструкції. Зверніться для проведення таких робіт до нашого офіційного сервісного центру.
7. Завжди використовуйте лише наші оригінальні запасні деталі та аксесуари. Використання деталей або аксесуарів від сторонніх виробників може призвести до поломки інструменту, пошкодження майна та/або тяжкої травми.
8. Регулярно звертайтеся до нашого офіційного сервісного центру для огляду та технічного обслуговування інструменту.

## Зберігання

1. Перш ніж складати інструмент на зберігання, повністю почистіть його та проведіть технічне обслуговування. Вимкніть вилку з розетки. Встановіть на тримерне лезо кришку.
2. Зберігайте інструмент у сухому розташованому високо або у замкненому та недоступному для дітей місці.
3. Не спирайте інструмент об стіну тощо. Інакше він може несподівано впасти та завдати травми.

## Перша допомога

1. Завжди тримайте поблизу аптечку. Одразу поповніть аптечку, якщо чимось скористалися.
2. Коли звертаєтесь за допомогою, надавайте наступну інформацію:
  - Місце, де трапився нещасний випадок
  - Що саме трапилось
  - Кількість осіб, що отримали травми
  - Характер травми
  - Ваше ім'я

## ЗБЕРІГАЙТЕ ЦІ ІНСТРУКЦІЇ.

### ⚠ ПОПЕРЕДЖЕННЯ:

**НЕ ДОЗВОЛЯЙТЕ** впевненості або обізнаності із виробом (що набувається через регулярне використання) замінити чітке дотримання правил безпеки щодо даного виробу. **НЕНАЛЕЖНЕ ВИКОРИСТАННЯ** або недотримання викладених у даному керівництві правил безпеки може призвести до тяжкої травми.

## ОПИС ДЕТАЛЕЙ (мал. 1)

## ОПИС ФУНКЦІОНУВАННЯ

### ⚠ ПОПЕРЕДЖЕННЯ:

- Перш ніж коригувати або перевіряти функції інструменту, завжди упевнітесь, що інструмент вимкнений та відключений від розетки. Якщо інструмент не вимкнути та не відключити від розетки, це може призвести до тяжкої травми через випадковий запуск.

## Робота пускового курка (мал. 2)

### ⚠ ПОПЕРЕДЖЕННЯ:

- Перш ніж вмикати вилку в розетку, завжди перевіряйте, що пусковий курок працює належно та повертається у положення вимикання, якщо його відпустити. Не тягніть сильно за пусковий курок, не перевівши спочатку важіль блокування. Це може призвести до пошкодження курка. Робота із пристроєм із курком, що працює неналежним чином, може призвести до втрати контролю та тяжкої травми.

Для попередження випадкового спрацьовування пускового курка на інструменті передбачено важіль блокування.

Щоб запустити інструмент, переведіть важіль блокування вперед та потягніть пусковий курок. Відпустіть пусковий курок, щоб зупинити інструмент.

## Тримерна головка з нейлоновим кордом (мал. 3)

### ПОВІДОМЛЕННЯ:

- Не намагайтесь подавати корд з головки під час роботи інструменту з високими обертами. Подавання корду під час роботи з високими обертами може призвести до пошкодження тримерної головки з нейлоновим кордом.
- Подавання нитки не працюватиме належним чином, якщо головка не обертається.

### ПРИМІТКА:

- Стандартні аксесуари залежать від моделі та країни.

Тримерна головка з нейлоновим кордом є подвійною головкою для електротримера з напівавтоматичним подаванням корду.

Для подачі нейлонового корду стукніть тримерною головкою об землю, коли тримерна головка обертається.

### ПРИМІТКА:

- Якщо нейлоновий корд не подається, коли ви стукаєте головкою об землю, перемотайте/замініть нейлоновий корд, виконавши процедуру з розділу "Технічне обслуговування".

## Тримач шнура (мал. 4)

Зробіть маленьку петлю із шнура живлення та зафіксуйте її у тримачі шнура.

## ЗБИРАННЯ

### ⚠ ПОПЕРЕДЖЕННЯ:

- Перш ніж проводити будь-які роботи із інструментом, завжди перевіряйте, щоб інструмент був вимкнений та відключений від розетки. Якщо інструмент не вимкнути та не відключити від розетки, це може призвести до тяжкої травми через випадковий запуск.
- Ніколи не запускайте інструмент, поки не зібрили його повністю. Робота із частково зібраним інструментом може призвести до тяжкої травми через випадковий запуск.

## Встановлення ручки (мал. 5)

### ⚠ ПОПЕРЕДЖЕННЯ:

- Не знімайте та не зменшуйте розширювач або амортизатор. Розширювач забезпечує певну відстань між обома руками. Встановлення вузла ручка/бар'єр близько до іншої ручки на відстані меншій за довжину розширювача може призвести до втрати контролю та тяжкої травми.

Встановіть ручку та бар'єр на гумову частину на трубі. Відрегулюйте положення ручки та зафіксуйте за допомогою чотирьох болтів.

## Дозволена комбінація різального інструмента та захисту

### ⚠ ПОПЕРЕДЖЕННЯ:

- Завжди використовуйте інструмент із дозволеною комбінацією захисного спорядження. Інакше контакт із різальним інструментом може призвести до тяжких травм.
- Ніколи не використовуйте інструмент без захисного кожуха, встановленого як показано на малюнку. Недотримання цієї вимоги може призвести до тяжкої травми.

#### ПРИМІТКА:

- Стандартні аксесуари залежать від моделі та країни.

#### Для тримерного леза (мал. 6)

#### Для тримерної головки з нейлоновим кордом (мал. 7)

#### Встановлення захисту для тримерного леза (мал. 8)

1. Вирівняйте отвори на внутрішньому протекторі відносно отворів на коробці передач.
2. Потім закріпіть за допомогою трьох болтів.

#### Встановлення захисту для головки із нейлоновим кордом

##### ⚠ УВАГА:

- Будьте обережні, щоб не травмуватися ножем для обрізання нейлонового корду.
- Не забудьте зняти із тримера захист перед використанням.

1. Вирівняйте чотири болти на зовнішньому протекторі відносно отворів на внутрішньому протекторі. (мал. 9)
2. Закріпіть за допомогою чотирьох болтів.
3. Вирівняйте отвори на внутрішньому протекторі відносно отворів на коробці передач.
4. Закріпіть за допомогою болтів. (мал. 10)

#### Встановлення тримерного леза

##### ⚠ ПОПЕРЕДЖЕННЯ:

- Зовнішній діаметр тримерного леза має становити 230 мм. Ніколи не використовуйте леза із зовнішнім діаметром більше 230 мм.

##### ⚠ УВАГА:

- Тримерне лезо має бути добре відполіроване та не мати тріщин або пошкоджень. Чистіть або замінійте тримерне лезо кожні три години роботи.
- Під час обслуговування тримерного леза завжди надягайте рукавички.
- Завжди встановлюйте на лезо кришку, коли інструмент не використовується або транспортується.
- Із плином часу гайка кріплення леза зношується. Якщо помітні будь-які сліди зношення або деформації, замініть гайку. Зверніться в офіційний сервісний центр для замовлення.

#### ПОВІДОМЛЕННЯ:

- Обов'язково використовуйте оригінальне тримерне лезо.

Переверніть інструмент, щоб можна було легко замінити тримерне лезо. (мал. 11)

1. Встановіть на вісь приймальну шайбу.
2. Поверніть приймальну шайбу так, щоб розташований на ній паз прийшовся на паз коробки передач.
3. Вставте круглий стрижень через обидва пази так, щоб приймальна шайба не оберталась.
4. Вставте у приймальну шайбу лезо.
5. Надягніть на лезо фіксуючу шайбу.
6. Надягніть на лезо кришку.
7. Закріпіть за допомогою гайки, обертаючи її проти годинникової стрілки та утримуючи при цьому круглий стрижень.

Щоб зняти лезо, виконайте наведені вище кроки у зворотному порядку.

#### Встановлення тримерної головки з нейлоновим кордом (мал. 12)

#### ПОВІДОМЛЕННЯ:

- Обов'язково використовуйте оригінальну тримерну головку з нейлоновим кордом.

Переверніть інструмент, щоб можна було легко замінити тримерну головку з нейлоновим кордом.

#### ПРИМІТКА:

- Перш ніж користуватися інструментом, зніміть з кордового ножа кришку.

1. Встановіть на вісь приймальну шайбу.
2. Поверніть приймальну шайбу так, щоб розташований на ній паз прийшовся на паз коробки передач.
3. Вставте круглий стрижень через обидва пази так, щоб приймальна шайба не оберталась.
4. Встановіть тримерну головку з нейлоновим кордом, обертаючи її проти годинникової стрілки.
5. Перш ніж встановлювати тримерну головку з нейлоновим кордом, зніміть круглий стрижень.

Щоб зняти головку з нейлоновим кордом, виконайте наведені вище кроки у зворотному порядку.

## ЕКСПЛУАТАЦІЯ

#### Правильне застосування інструменту (мал. 13)

#### Правильне положення тіла

##### ⚠ ПОПЕРЕДЖЕННЯ:

- Завжди тримайте інструмент праворуч від тіла, щоб бар'єр завжди знаходився перед вами. Правильне розташування інструменту забезпечує максимальний контроль та зменшує ризик отримання тяжкої травми від відбою.

##### ⚠ УВАГА:

- Якщо під час роботи різальний інструмент випадково вдариться об камінь або твердий предмет, зупиніть інструмент та огляньте на наявність пошкоджень. Якщо різальний інструмент пошкоджено, негайно замініть його. Використання пошкодженого різального інструмента може призвести до тяжкої травми.

Надягніть плечовий ремінь на ліве плече, просунувши через нього голову та праву руку, та тримайте інструмент праворуч так, щоб бар'єр завжди знаходився перед вами.

#### Кріплення плечового ремня (мал. 14)

Відрегулюйте довжину ремня таким чином, щоб різальний інструмент був паралельний землі.

З'єднайте підвіс та ремінь.

##### ⚠ ПОПЕРЕДЖЕННЯ:

- Будьте надзвичайно обережні, щоб завжди контролювати інструмент. Не дозволяйте інструменту відхилятися до вас або іншої людини, що знаходиться поряд. Неналежний контроль за інструментом може призвести до тяжкого травмування сторонньої людини та оператора.

#### Регулювання положення підвісу та плечового ремня (мал. 15)

Відрегулюйте положення підвісу, як показано на малюнку (мал. 16)

Щоб змінити положення підвісу, розкрутіть болт підвісу. Потім перемістіть підвіс.

Після регулювання положення підвісу надійно закрутіть болт ключем.

## ТЕХНІЧНЕ ОБСЛУГОВУВАННЯ

### **⚠ ПОПЕРЕДЖЕННЯ:**

- **Перш ніж оглядати або здійснювати технічне обслуговування інструменту, завжди перевіряйте, щоб інструмент був вимкнений та відключений від розетки.** Якщо інструмент не вимкнути та не відключити від розетки, це може призвести до тяжкої травми через випадковий запуск.

### **ПОВІДОМЛЕННЯ:**

- Ніколи не використовуйте пальне, бензин, розчинник, спирт або щось подібне. Це може призвести до знебарвлення, деформації або розтріскування.

## **Заміна нейлового корду (мал. 17)**

### **⚠ ПОПЕРЕДЖЕННЯ:**

- **Перш ніж починати роботу, переконайтесь, що тримерна головка з нейлоновим кордом надійно закріплена на інструменті.** Неправильне закріплення тримерної головки з нейлоновим кордом може призвести до того, що вона розлетиться та заподіє тяжкі травми.

1. Зніміть тримерну головку з нейлоновим кордом.
2. Зніміть кришку, натиснувши два фіксатори (рифлені секції), що знаходяться з протилежних боків ковпачка.
3. Зніміть катушку. Потім зніміть з катушки старий нейлоновий корд.
4. Відріжте нейлоновий корд довжиною 3 – 6 метрів. Складіть тримерний корд удвічі так, щоб одна половина була довшою на 80 – 100 мм. **(мал. 18)**
5. Зачепіть середину нового нейлонового корда за паз у центрі катушки між двома каналами, призначеними для нейлонового корда. **(мал. 19)**
6. Міцно намотайте обидва кінці на канали у напрямку, позначеному стрілкою на катушці. **(мал. 20)**
7. Просмикніть нейлоновий корд через вушка, щоб він виходив із ковпачка.
8. Вирівняйте виступи на нижній поверхні кришки відносно отворів вушок. Потім надійно одягніть кришку на ковпачок. Переконайтесь, що фіксатори повністю увійшли у кришку.

Для забезпечення БЕЗПЕКИ та НАДІЙНОСТІ виробу ремонт та будь-які інші роботи із технічного обслуговування або регулювання мають виконуватися в офіційних сервісних центрах Makita; також треба завжди користуватися запасними деталями Makita.

## ПОШУК ТА УСУНЕННЯ НЕСПРАВНОСТЕЙ

Перш ніж звертатися за ремонтом, проведіть власний огляд. Якщо ви виявите проблему, не описану у даному керівництві, не намагайтесь розібрати інструмент. Замість цього зверніться до офіційного сервісного центру Makita та завжди використовуйте для ремонту запасні деталі Makita.

Стан несправності	Причина	Рішення
Двигун не працює.	Інструмент не увімкнено в розетку.	Увімкніть інструмент у розетку.
	Шнур живлення поламаний.	Зверніться в офіційний сервісний центр для ремонту.
	Система приводу працює неправильно.	
Двигун зупиняється після нетривалого використання.	Перегрівання.	Припиніть користуватися інструментом, щоб він охолів.
Інструмент не досягає максимальної частоти обертів.	Система приводу працює неправильно.	Зверніться в офіційний сервісний центр для ремонту.
Різальний інструмент не обертається: негайно зупиніть машину!	Між захисним кожухом та різальним інструментом застряг сторонній предмет, як-от гілка.	Видаліть сторонній предмет.
	Розкрутилася гайка кріплення тримерного леза.	Затягніть гайку належним чином, відповідно до інструкцій.
	Тримерне лезо погнулось.	Замініть тримерне лезо.
	Система приводу працює неправильно.	Зверніться в офіційний сервісний центр для ремонту.
Ненормальна вібрація: негайно зупиніть машину!	Один кінець нейлового корду порвався.	Стукніть тримерною головкою з нейлоновим кордом об землю, коли тримерна головка обертається, щоб подати корд.
	Тримерне лезо погнулось, тріснуло або зносилось.	Замініть тримерне лезо.
	Розкрутилася гайка кріплення тримерного леза.	Затягніть гайку належним чином, відповідно до інструкцій.
	Тримерне лезо закріплене неправильно.	
	Система приводу працює неправильно.	Зверніться в офіційний сервісний центр для ремонту.
Різальний інструмент та двигун не зупиняються: негайно вимкніть вилку з розетки!	Несправність електричної або електронної системи.	Вимкніть вилку з розетки та зверніться в офіційний сервісний центр для ремонту.

## ДОДАТКОВІ АКСЕСУАРИ

### УВАГА:

- Дані аксесуари або насадки рекомендовані для використання із вашим інструментом Makita, описаним у цьому керівництві. Використання будь-яких інших аксесуарів або насадок може становити ризик отримання травми. Використовуйте аксесуари або насадки лише за призначенням.

Якщо вам потрібна будь-яка допомога в отриманні інформації про дані аксесуари, зверніться до вашого місцевого сервісного центру Makita.

- Тримерне лезо
- Тримерна головка з нейлоновим кордом
- Нейлоновий корд (тримерна ліска)
- Плечовий ремінь

### ПРИМІТКА:

- Деякі з позицій списку можуть надаватися у комплекті із інструментом як стандартні аксесуари. Вони можуть відрізнятися в залежності від країни.





**Makita** Jan-Baptist Vinkstraat 2, 3070, Belgium  
**Makita Corporation** Anjo, Aichi, Japan