

КАТАЛОГ ЗАПАСНЫХ ЧАСТЕЙ

FIG. 1 CRANK CASE

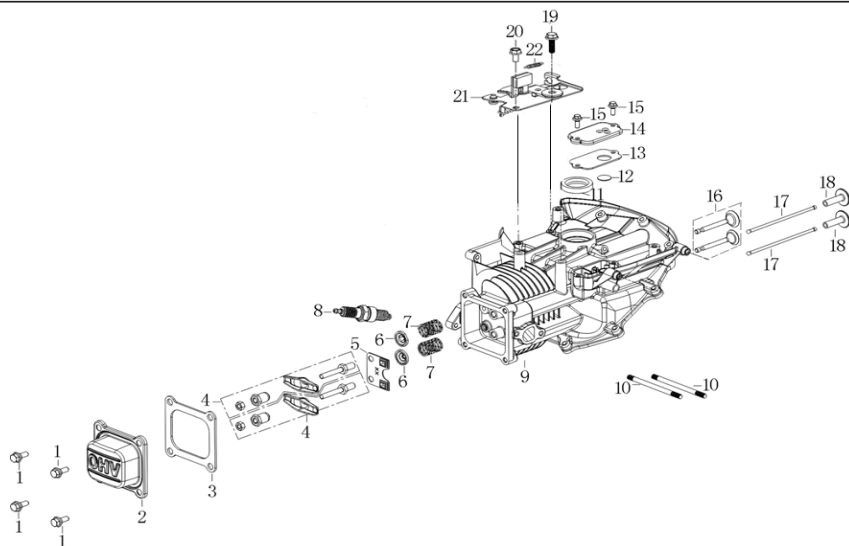


FIG. 2 CRANK CASE COVER

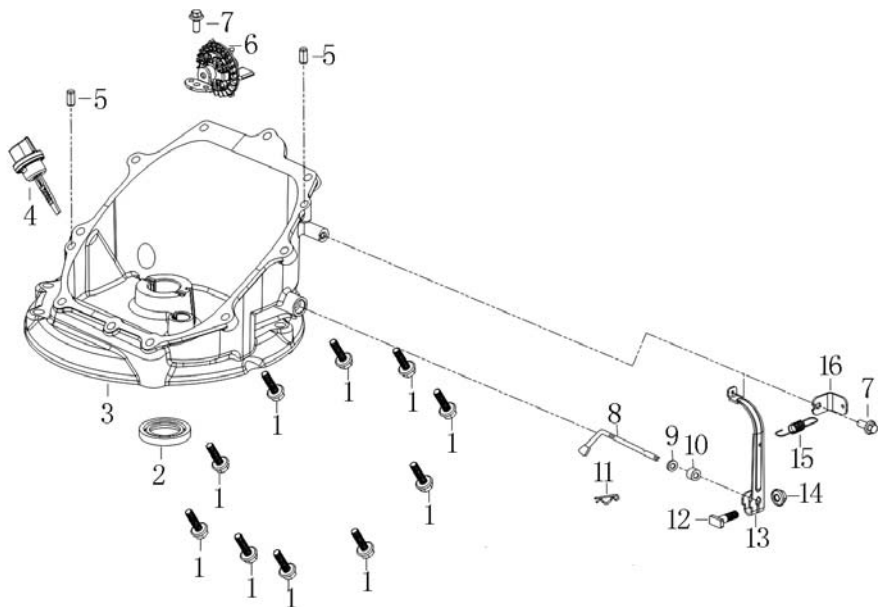


FIG. 3 CRANKSHAFT/PISTON

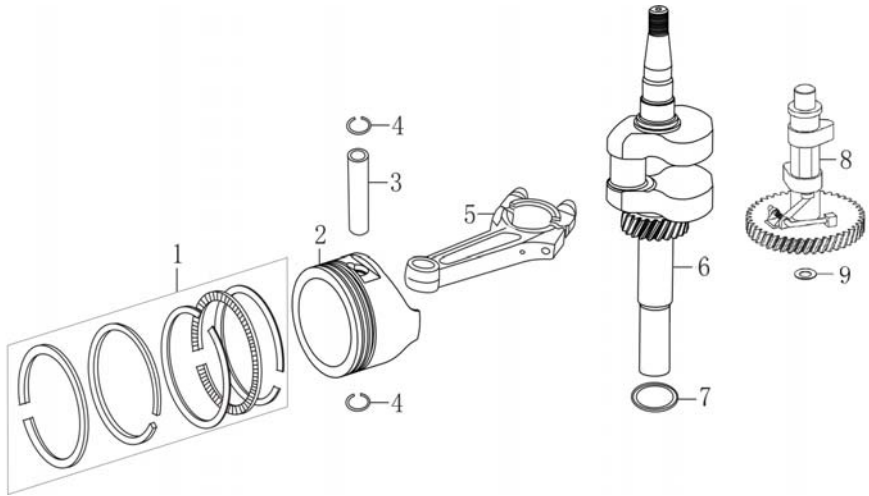


FIG. 4 CRANK CASE COVER

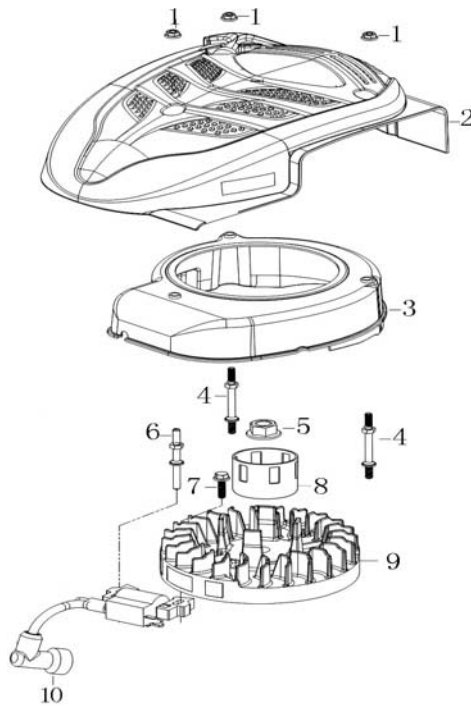


FIG. 3 CRANKSHAFT/PISTON

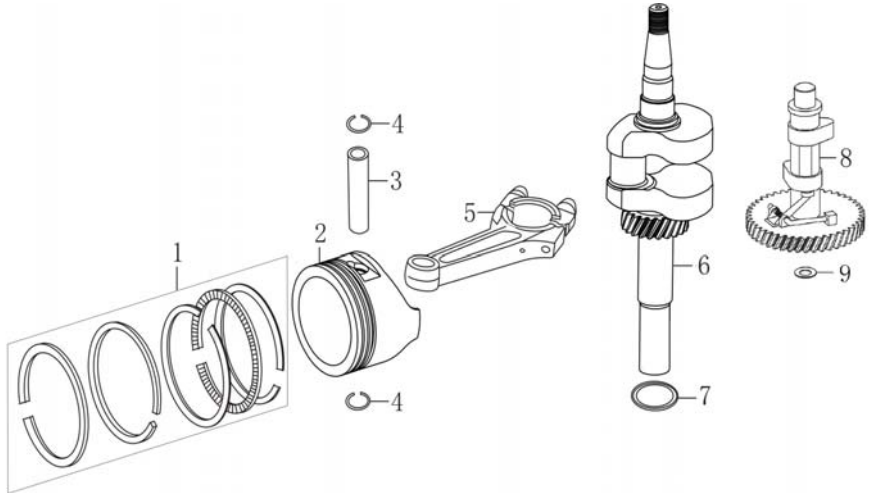


FIG. 4 CRANK CASE COVER

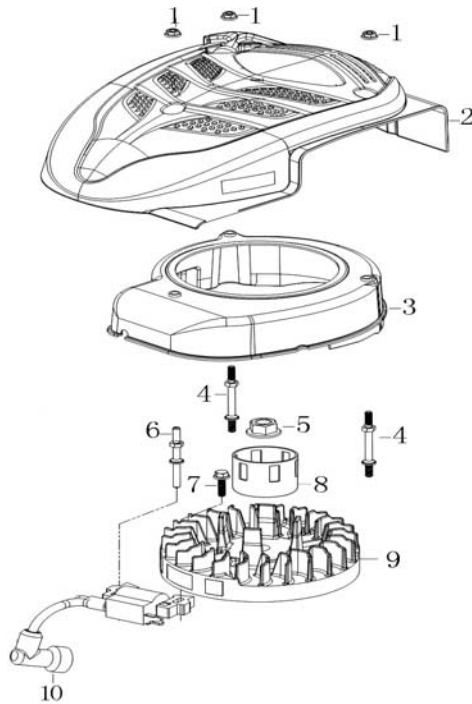


FIG. 5 CARBURETOR

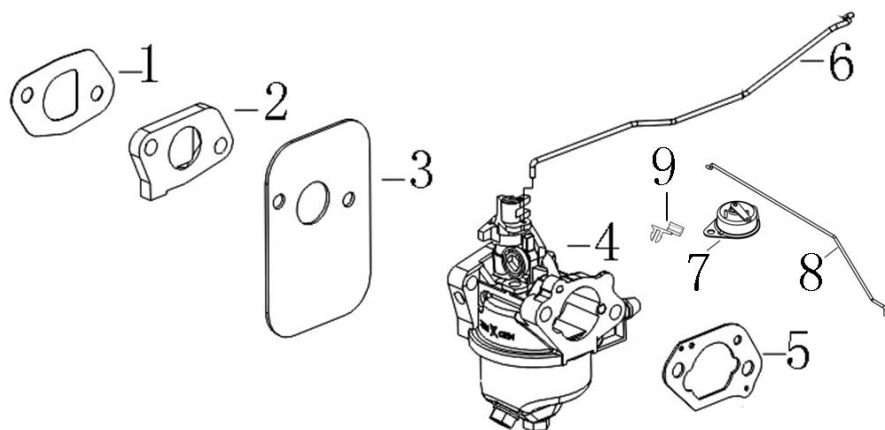


FIG. 6 AIR CLEANER

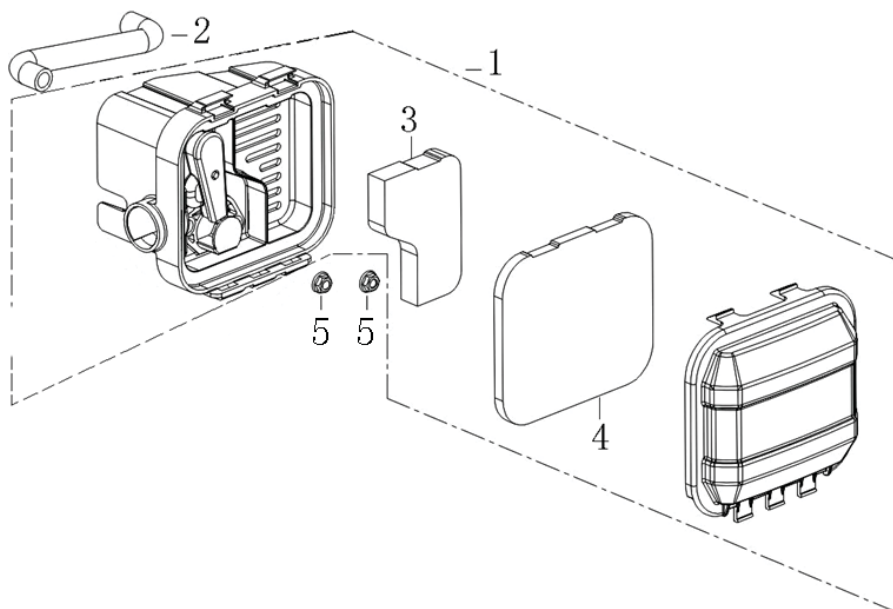


FIG. 7 MUFFLER

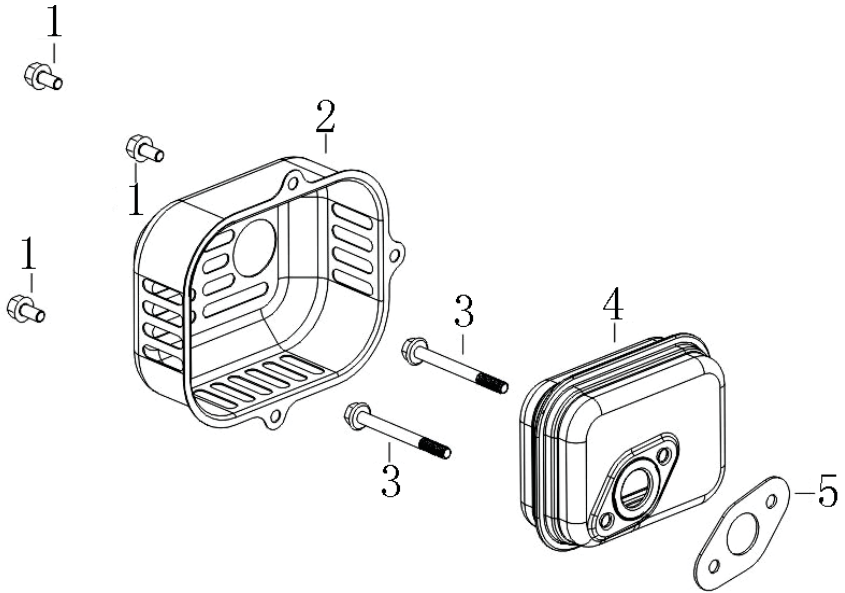


FIG. 8 FUEL TANK

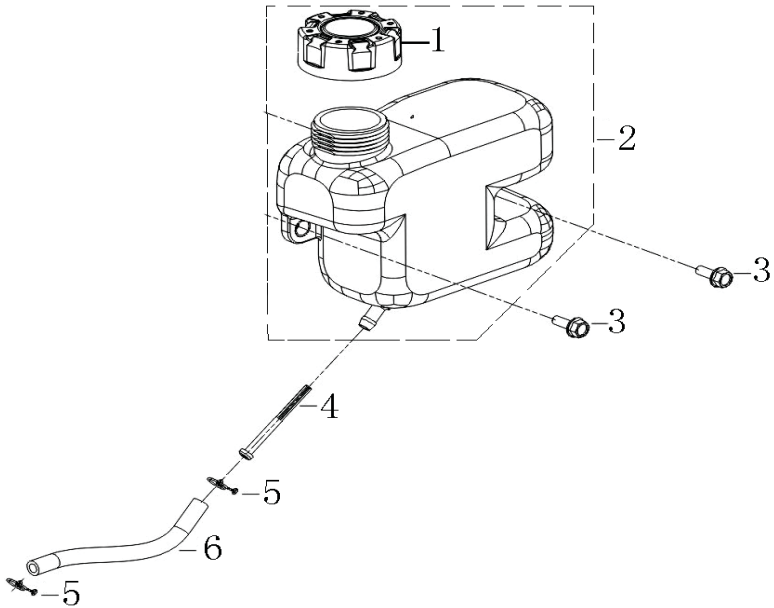


FIGURE	No.	Part No.	Description	QTY
FIG. 1	1	U065-FA001	Hexagon bolt with flange	4
	2	U065-FE002	Cylinder head cover	1
	3	U065-FE003	Gasket for cylinder head cover	1
	4	U065-FE004	Valve rocker combination	2
	5	U065-FE005	Plate, push rod guide	1
	6	U065-FA054	Retainer, valve spring	2
	7	U065-FE007	Inner spring of valve	2
	8	U065-FA004	Spark plug	1
	9	U065-FE009	Crankcase body	1
	10	U065-FA007	Stud	2
	11	U065-FA016	Oil seal	1
	12	U065-FE012	Breath fin	1
	13	U065-FE013	PACKING, BREATHER CHAMBER	1
	14	U065-FE014	CAP, BREATHER CHAMBER	1
	15	U065-FE016	Hexagon bolt with flange	2
	16	U065-FA056	Valve Kit	1
	17	U065-FE018	Push rod	2
	18	U065-FA059	Lifter, Valve	2
	19	U065-FA024	Hexagon bolt with flange	1
	20	U065-FE021	Hexagon bolt with flange	1
	21	U065-FE022	Engine brake	1
	22	U065-FE023	Tension spring	1
FIG. 2	1	U065-FA024	Hexagon bolt with flange	10
	2	U065-FA033	Oil seal	1
	3	U065-FE026	Crankcase cover	1
	4	U065-FE027	Oil rule combination	1
	5	U065-FE028	ocation pin	2
	6	U065-FE029	Components of governor gear	1
	7	U065-FE016	Hexagon bolt with flange	2
	8	U065-FA026	Speed regulating arm	1
	9	U065-FA027	Flat washer	1
	10	U065-FA028	Oil seal	1
	11	U065-FA029	Pin clip	1
	12	U065-FA098	Square head set screw with flat point	1
	13	U065-FE036	Speed regulating bracket	1
	14	U065-FA100	Hexagon nut with flange	1
	15	U065-FE038	Governing spring	1
	16	U065-FE039	Throttle handle combination	1

FIGURE	No.	Part No.	Description	QTY
FIG. 3	1	U065-FE040	Piston ring combination	1
	2	U065-FE041	Piston	1
	3	U065-FA047	Piston pin	1
	4	U065-FA048	Steel cable baffle ring	2
	5	U065-FE044	Connecting rod	1
	6	U065-FE045	crankshaft	1
	7	U065-FA052	Flat washer	1
	8	U065-FE047	Camshaft assy	1
	9	U065-FA061	Flat washer	1
FIG. 4	1	U065-FA065	Hexagon nut with flange	3
	2	U065-FE050	Manual starting assembly	1
	3	U065-FE051	Fan cover comp.	1
	4	U065-FE052	Stay stud	2
	5	U065-FA085	Hexagon nut with flange	1
	6	U065-FE054	Stay stud	1
	7	U065-FA024	Hexagon bolt with flange	1
	8	U065-FE056	Starting disc	1
	9	U065-FE057	FLYWHEEL COMP	1
	10	U065-FE058	COIL ASSY.,IGNNTION	1
FIG. 5	1	U065-FA074	Carburetor gasket	1
	2	U065-FA075	Heat insulating pad for carburetor	1
	3	U065-FE061	Heat insulating plate for carburetor	1
	4	U065-FE062	Carburetor	1
	5	U065-FE063	Carburetor gasket	1
	6	U065-FE064	Throttle rod	1
	7	U065-FE065	Control components of choke valve	1
	8	U065-FE066	Choke valve pull rod	1
	9	U065-FA073	Locker of choke valve pull rob	1
FIG. 6	1	U065-FE068	Air filter	1
	2	U065-FE069	Breather tube	1
	3	U065-FE070	Air filter element	1
	4	U065-FE071	Air filter element	1
	5	U065-FA065	Hexagon nut with flange	2
FIG. 7	1	U065-FE021	Hexagon bolt with flange	4
	2	U065-FE074	Muffler guard shield	1
	3	U065-FE075	Hexagon bolt with flange	2
	4	U065-FE076	Muffler	1
	5	U065-FE077	Muffler gasket	1
FIG. 8	1	U065-FA106	Tank cover	1
	2	U065-FE079	Tank	1
	3	U065-FE080	Hexagon shaft shoulder bolt	2
	4	U065-FA112	Fuel filter	1
	5	U065-FA115	Pipe clip	2
	6	U065-FE083	Oil tube	1