

**Makita**<sup>®</sup>

## **Table Top Miter Saw**

Instruction Manual

## **Universal-Kapp- und Gehrungssäge**

Betriebsanleitung

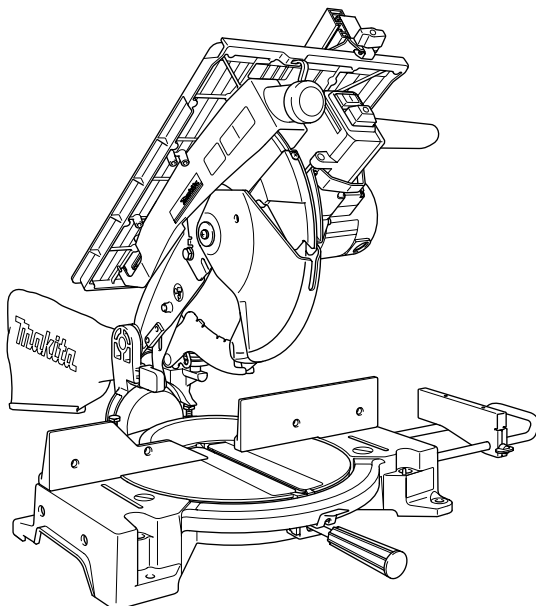
## **Piła ukośnica ze stołem**

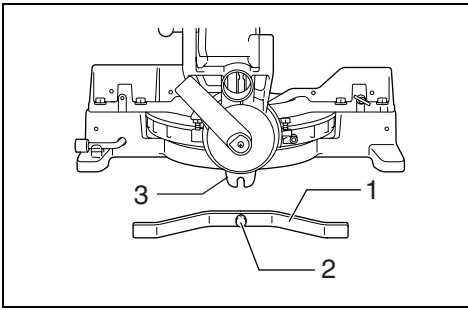
Instrukcja obsługi

## **Настольная торцовочная пила**

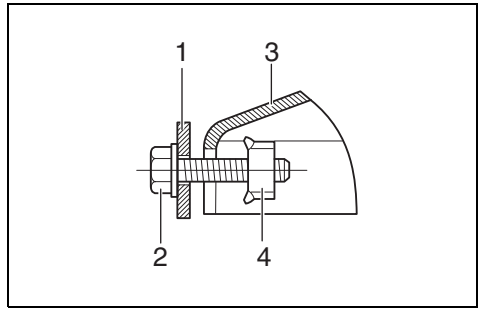
Инструкция по эксплуатации

**LH1040**  
**LH1040F**

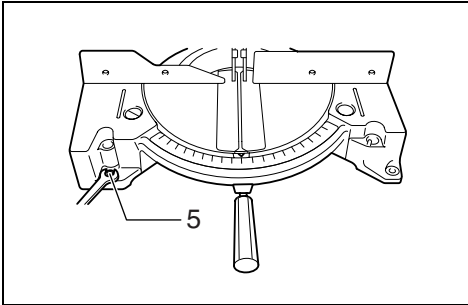




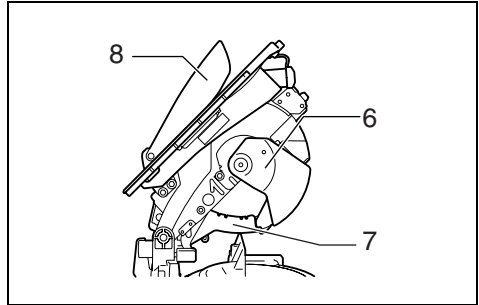
1



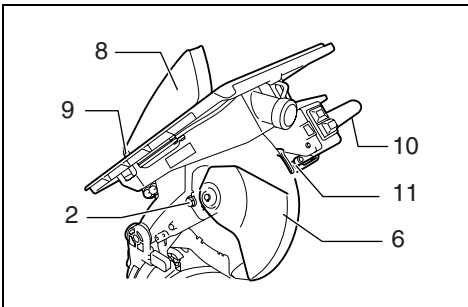
2



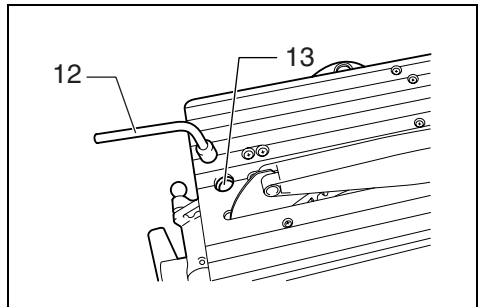
3



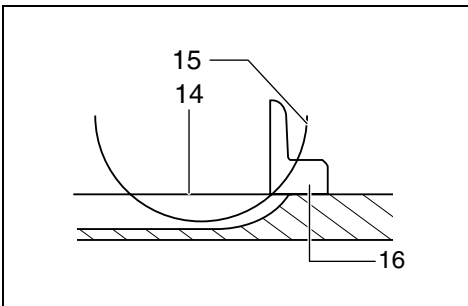
4



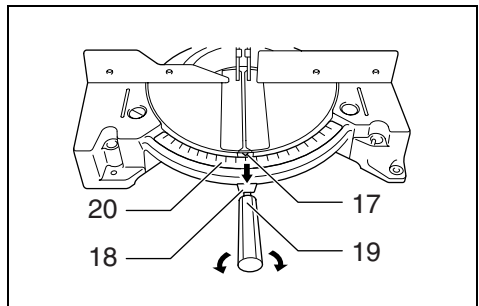
5



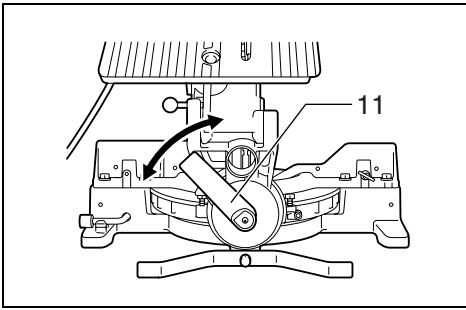
6



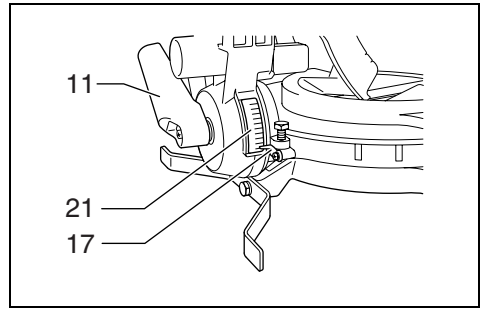
7



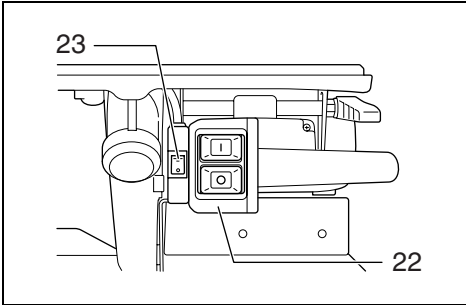
8



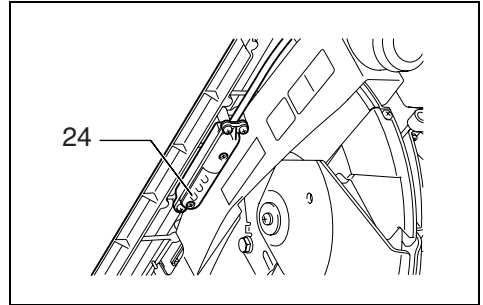
9



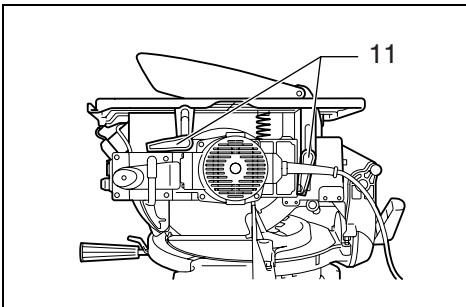
10



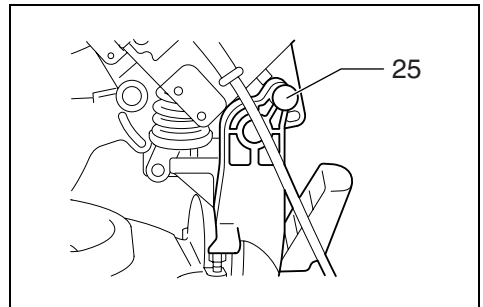
11



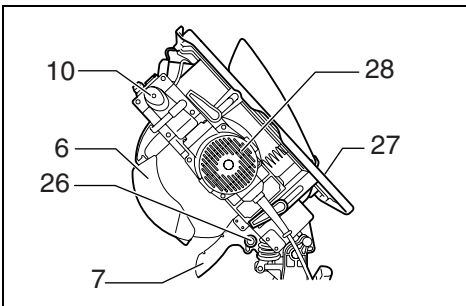
12



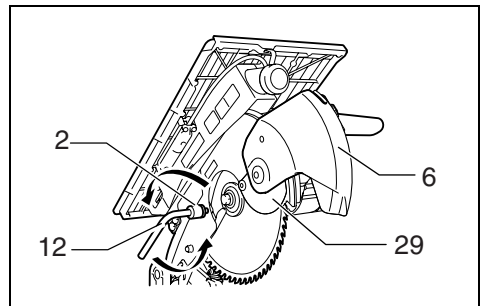
13



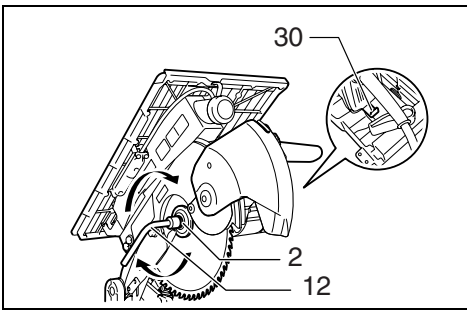
14



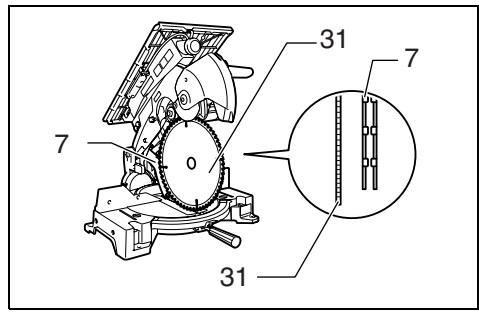
15



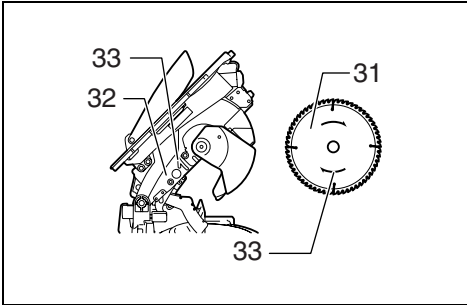
16



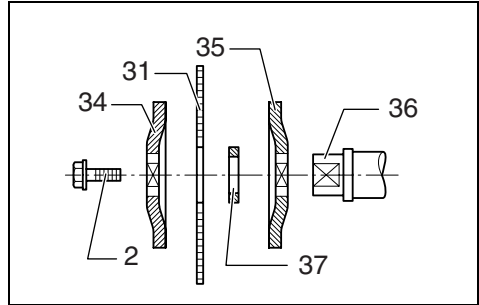
17



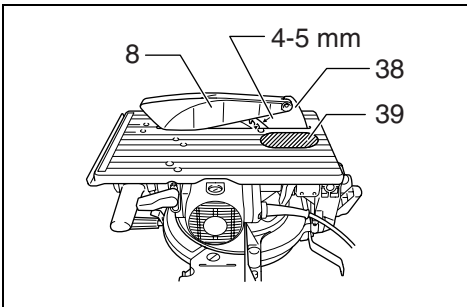
18



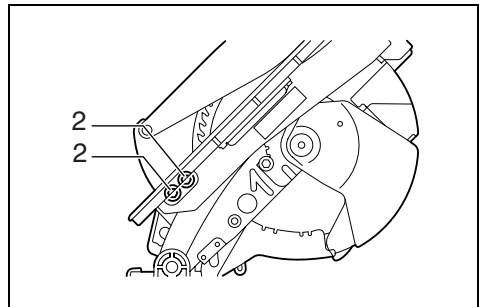
19



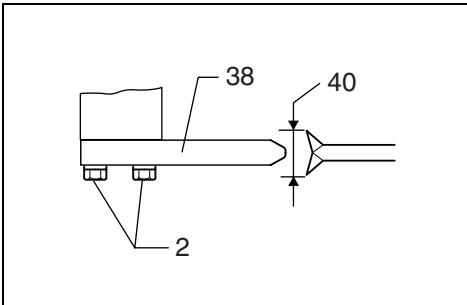
20



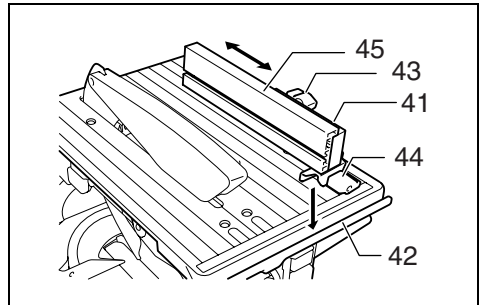
21



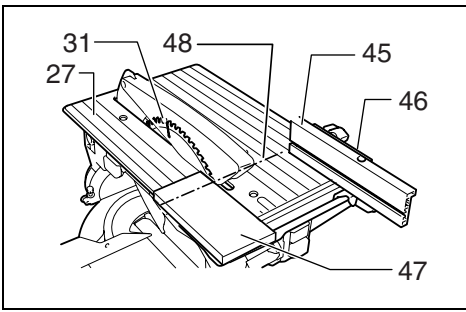
22



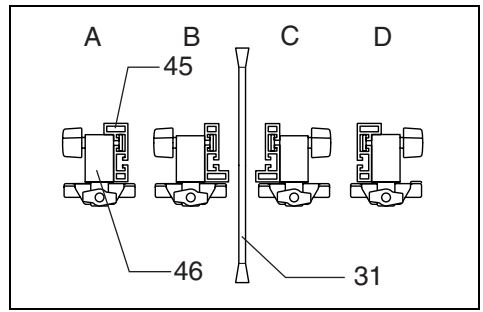
23



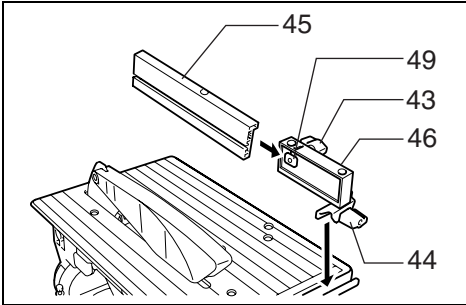
24



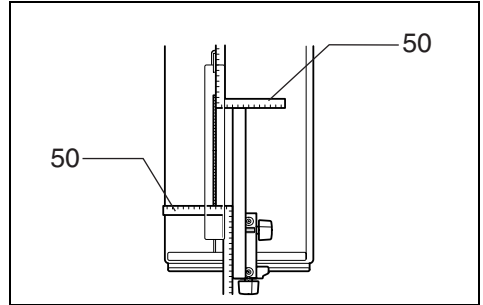
25



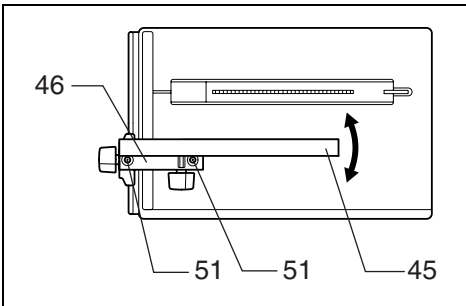
26



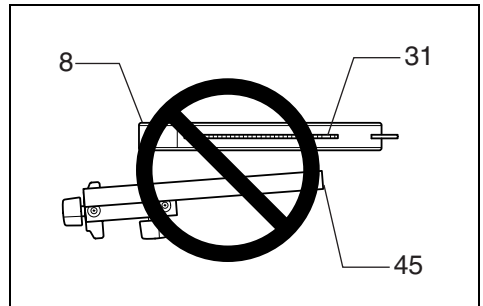
27



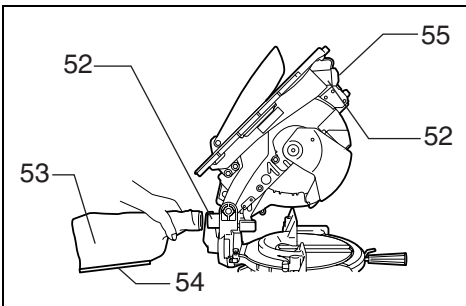
28



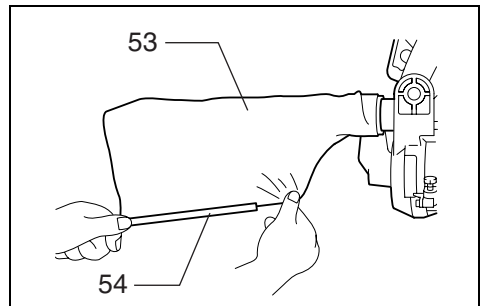
29



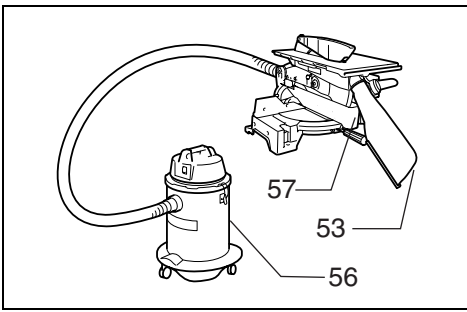
30



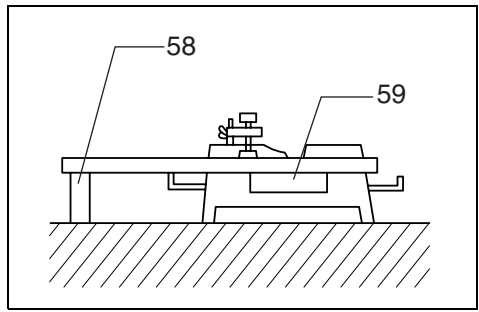
31



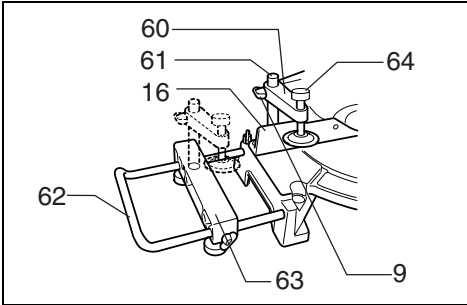
32



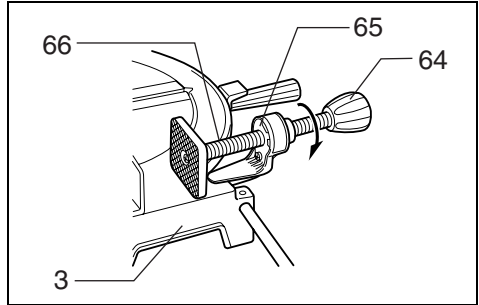
33



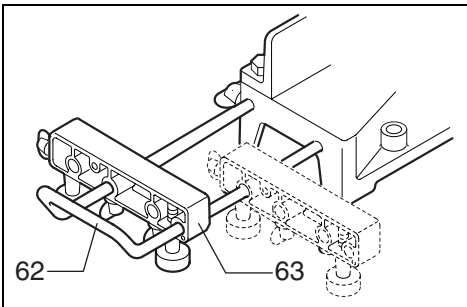
34



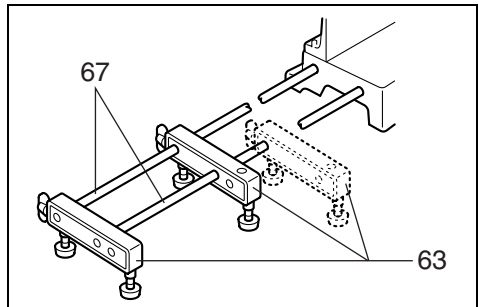
35



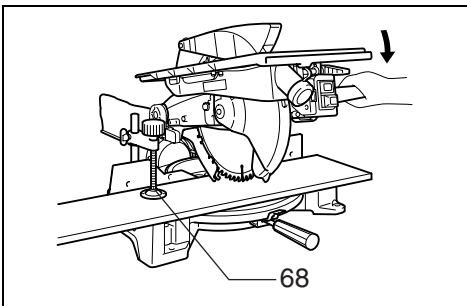
36



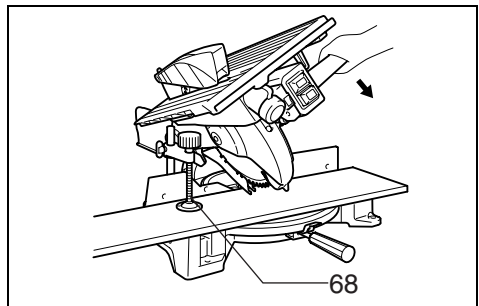
37



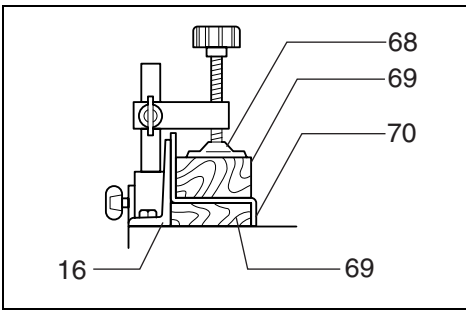
38



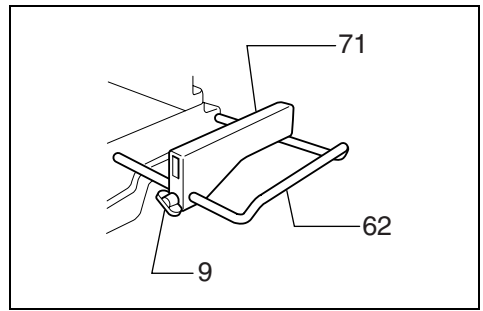
39



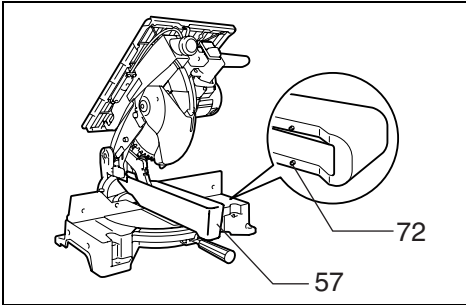
40



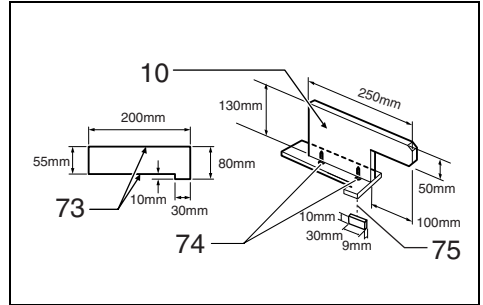
41



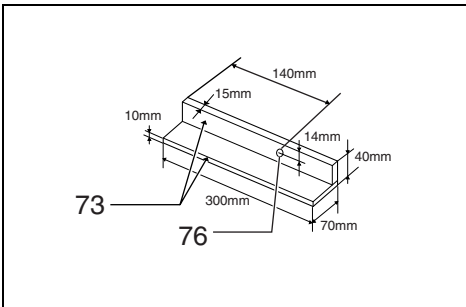
42



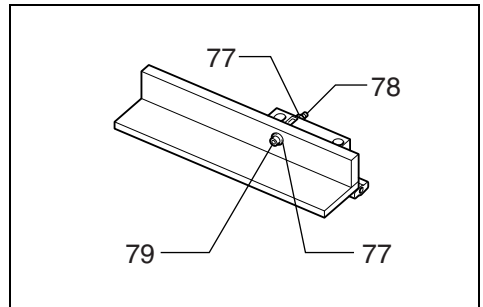
43



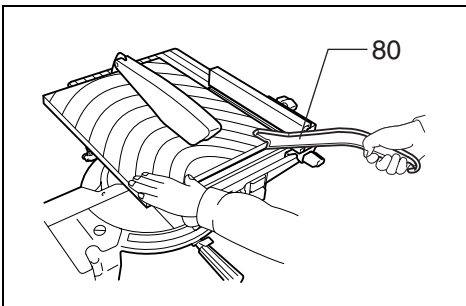
44



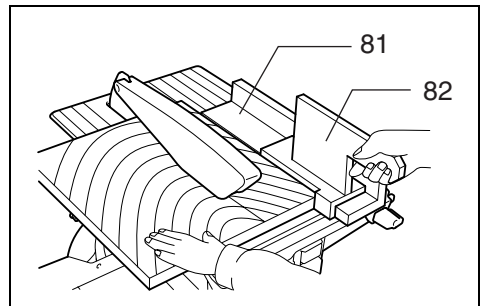
45



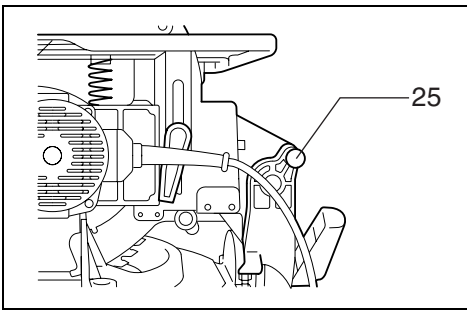
46



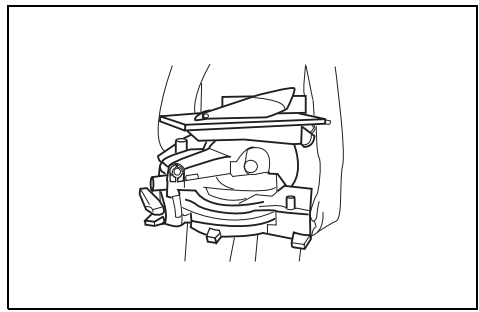
47



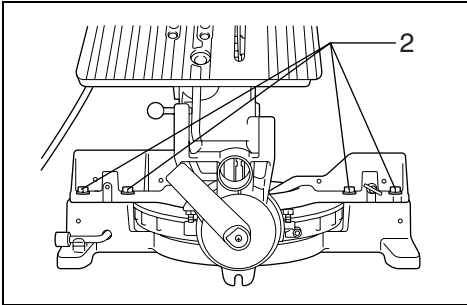
48



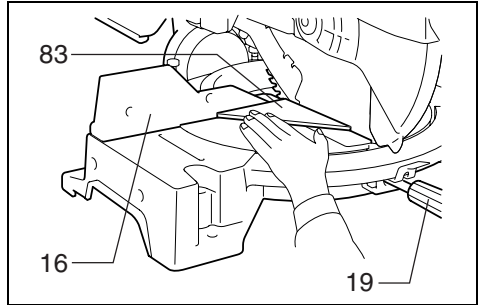
49



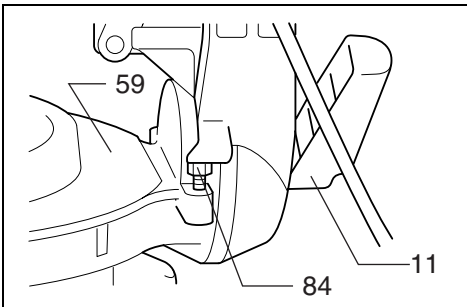
50



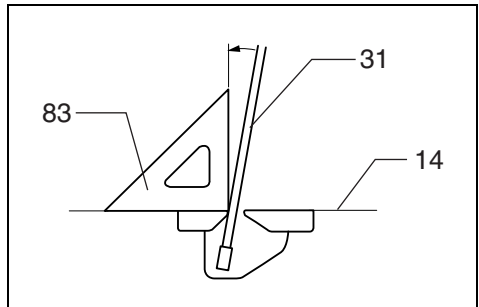
51



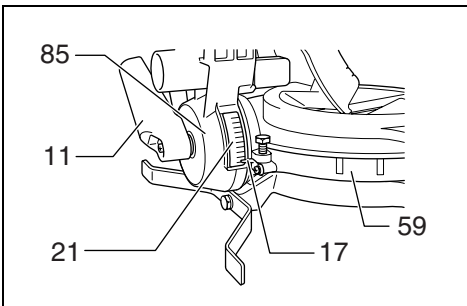
52



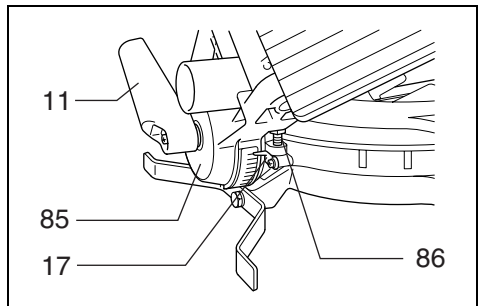
53



54

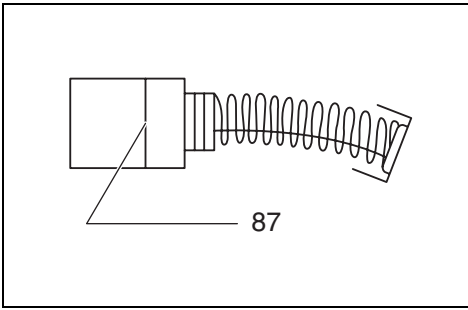


55

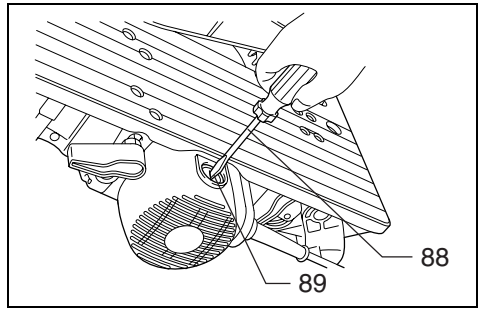


56





57



58

## Symbols

The followings show the symbols used for the tool. Be sure that you understand their meaning before use.

## Symbole

Die folgenden Symbole werden für die Maschine verwendet. Machen Sie sich vor der Benutzung unbedingt mit ihrer Bedeutung vertraut.

## Symbole

Poniższe symbole używane są do opisu urządzenia. Przed użyciem należy upewnić się, że rozumie się ich znaczenie.

## Символы

Следующие объяснения показывают символы, используемые для инструмента. Убедитесь перед использованием, что Вы понимаете их значение.



- Read instruction manual.
- Bitte Bedienungsanleitung lesen.
- Przeczytaj instrukcję obsługi.
- Прочитайте инструкцию по эксплуатации.



- DOUBLE INSULATION
- DOPPELT SCHUTZISOLIERT
- PODWÓJNA IZOLACJA
- ДВОЙНАЯ ИЗОЛЯЦИЯ



- To avoid injury from flying debris, keep holding the saw head down, after making cuts, until the blade has come to a complete stop.
- Um Verletzungen durch herausgeschleuderte Teile zu vermeiden, halten Sie den Sägekopf nach Ausführung von Schnitten abgesenkt, bis das Sägeblatt völlig zum Stillstand gekommen ist.
- Aby uniknąć zranienia odskakującymi odpadkami, po zakończeniu cięcia trzymaj głowicę piły w dole, aż do całkowitego zatrzymania się brzościotu.
- Чтобы избежать травмы от летящих обрезков, удерживайте переднюю часть пилы, обращенной вниз, после выполнения резки до тех пор, пока лезвие не остановится полностью.



- When using the tool in the miter saw mode, secure the top table at the topmost blade never protrudes from the top surface of the top table.
- Wenn Sie die Maschine im Gehrungssägenmodus verwenden, sichern Sie den oberen Tisch in der Höchststellung, damit das Sägeblatt nicht über die Oberfläche des oberen Tisches hinausragt.
- W przypadku korzystania z urządzenia w trybie cięcia ukośnego, zamocuj stół górny tak, aby brzościot nigdy nie wystawał poza górną powierzchnię stołu.
- При использовании инструмента в режиме торцовочной пилы закрепите верхний стол в самом верхнем положении так, чтобы лезвие никогда не выступало на верхней поверхности верхнего стола.



- For your safety, remove chips, small pieces, etc. from the table top before operation.
- Zur Sicherheit sollte die Tischplatte vor dem Betrieb von Spänen, Kleinteilen usw. gesäubert werden.
- Dla bezpieczeństwa przed przystąpieniem do pracy usuń strużyny, małe odpady itp. z powierzchni stołu.
- Для Вашей безопасности удалите стружки, маленькие куски и т.д. со стола перед эксплуатацией.



- Do not place hand or fingers close to the blade.
- Halten Sie Hände oder Finger vom Sägeblatt fern
- Nie zbliżaj rąk i palców do brzościotu.
- Не помещайте руки или пальцы близко к лезвию.

# ENGLISH

## Explanation of general view

1 Auxiliary plate	32 Blade case	63 Holder assembly
2 Hex bolt	33 Arrow	64 Vise knob
3 Base	34 Outer flange	65 Projection
4 Nut	35 Inner flange	66 Vise shaft
5 Bolt	36 Spindle	67 Rod 12
6 Lower blade guard A	37 Ring	68 Vise (optional accessory)
7 Lower blade guard B	38 Riving knife	69 Spacer block
8 Top blade guard	39 Area to press in	70 Aluminum extrusion
9 Screw	40 Blade width	71 Set plate
10 Handle	41 Rip fence holder	72 Small boss
11 Lever	42 Guide rail on the top table	73 Face/edge parallel
12 Socket wrench	43 Clamping screw (A)	74 Wood screw
13 Adjusting bolt	44 Clamping screw (B)	75 Glue together
14 Top surface of turn base	45 Rip fence	76 Hole (7 mm in diameter)
15 Periphery of blade	46 Rip fence holder	77 Washer
16 Guide fence	47 Workpiece	78 Nut
17 Pointer	48 Line to be aligned with	79 Bolt M6
18 Lock lever	49 Square nut	80 Push stick
19 Grip	50 Scale	81 Auxiliary fence
20 Miter scale	51 Two screws	82 Push block
21 Bevel scale	52 Dust nozzle	83 Triangular rule
22 Switch	53 Dust bag	84 0° adjusting bolt
23 Lamp switch	54 Fastener	85 Arm
24 Lamps	55 Cap	86 45° bevel angle adjusting bolt
25 Stopper pin	56 Vacuum cleaner	87 Limit mark
26 Clamping screw	57 Blade cover	88 Screwdriver
27 Top table	58 Support	89 Brush holder cap
28 Motor housing	59 Turn base	
29 Center cover	60 Vise arm	
30 Shaft lock	61 Vise rod	
31 Saw blade	62 Holder	

## SPECIFICATIONS

### Model

**LH1040/LH1040F**

Blade diameter ..... 255 mm – 260 mm

Hole diameter

For all countries other than European countries ..... 25.4 mm and 25 mm

For European countries ..... 30 mm

Max. Cutting capacities (H x W) with blade 260 mm in diameter in the miter saw mode

Bevel angle	Miter angle	
	0°	45°
0°	69 mm x 130 mm 93 mm x 95 mm	right 69 mm x 85 mm, 93 mm x 67 mm left 69 mm x 85 mm, 93 mm x 67 mm
45° (left)	35 mm x 130 mm 53 mm x 95 mm	right 35 mm x 91 mm, 49 mm x 67 mm left 35 mm x 65 mm, 49 mm x 42 mm

Max. Cutting capacities at 90° in the table saw (bench saw mode)..... 40 mm

No load speed (min<sup>-1</sup>) ..... 4,800

Table size (W x L) ..... 260 mm x 405 mm

Dimensions (L x W x H) ..... 530 mm x 476 mm x 535 mm

Net weight ..... 13.7 kg

Safety class .....  II

- Due to our continuing program of research and development, the specifications herein are subject to change without notice.
- Note: Specifications may differ from country to country.

### Intended use

The tool is intended for accurate straight cutting and (only when used as a miter saw on the lower table) miter cutting in wood.

### Power supply

The tool should be connected only to a power supply of the same voltage as indicated on the nameplate, and can only be operated on single-phase AC supply. They are double-insulated in accordance with European Standard and can, therefore, also be used from sockets without earth wire.

## SAFETY INSTRUCTIONS

**Warning! When using electric tools, basic safety precautions should always be followed to reduce the risk of fire, electric shock and personal injury, including the following. Read all these instructions before attempting to operate this product and save these instructions.**

### For safe operation:

- 1. Keep work area clean**  
Cluttered areas and benches invite injuries.
- 2. Consider work area environment**  
Don't expose power tools to rain. Don't use power tools in damp or wet locations. Keep work area well lit. Don't use power tools in presence of flammable liquids or gases.
- 3. Guard against electric shock**  
Prevent body contact with grounded surfaces (e.g. pipes, radiators, ranges, refrigerators).
- 4. Keep children away**  
Do not let visitors contact tool or extension cord. All visitors should be kept away from work area.
- 5. Store idle tools**  
When not in use, tools should be stored in dry, high, or locked-up place, out of the reach of children.
- 6. Don't force tool**  
It will do the job better and safer at the rate for which it was intended.
- 7. Use right tool**  
Don't force small tools or attachments to do the job of a heavy duty tool. Don't use tools for purposes not intended; for example, don't use circular saw for cutting tree limbs or logs.
- 8. Dress properly**  
Do not wear loose clothing or jewelry. They can be caught in moving parts. Rubber gloves and non-skid footwear are recommended when working outdoors. Wear protective hair covering to contain long hair.
- 9. Use safety glasses and hearing protection**  
Also use face or dust mask if cutting operation is dusty.
- 10. Connect dust extraction equipment**  
If devices are provided for the connection of dust extraction and collection facilities, ensure these are connected and properly used.
- 11. Don't abuse cord**  
Never carry tool by cord or yank it to disconnect it from receptacle. Keep cord from heat, oil and sharp edges.
- 12. Secure work**  
Use clamps or a vise to hold work. It's safer than using your hand and it frees both hands to operate tool.

### 13. Don't overreach

Keep proper footing and balance at all times.

### 14. Maintain tools with care

Keep tools sharp and clean for better and safer performance. Follow instructions for lubricating and changing accessories. Inspect tool cords periodically and, if damaged, have repaired by authorized service facility. Inspect extension cords periodically and replace if damaged. Keep handles dry, clean and free from oil and grease.

### 15. Disconnect tools

When not in use, before servicing, and when changing accessories such as blades, bits and cutters.

### 16. Remove adjusting keys and wrenches

Form the habit of checking to see that keys and adjusting wrenches are removed from tool before turning it on.

### 17. Avoid unintentional starting

Don't carry plugged-in tool with finger on switch. Be sure switch is off when plugging in.

### 18. Outdoor use extension cords

When tool is used outdoors, use only extension cords intended for use outdoors and so marked.

### 19. Stay alert

Watch what you are doing. Use common sense. Do not operate tool when you are tired.

### 20. Check damaged parts

Before further use of the tool, a guard or other part that is damaged should be carefully checked to determine that it will operate properly and perform its intended function. Check for alignment of moving parts, binding of moving parts, breakage of parts, mounting, and any other conditions that may affect its operation. A guard or other part that is damaged should be properly repaired or replaced by an authorized service center unless otherwise indicated elsewhere in this instruction manual. Have defective switches replaced by an authorized service center. Do not use tool if switch does not turn it on and off.

### 21. Warning

The use of any other accessory or attachment other than recommended in this operating instruction or the catalog may present a risk of personal injury.

### 22. Have your tool repaired by an expert

This electric appliance is in accordance with the relevant safety rules. Repairing of electric appliances may be carried out only by experts otherwise it may cause considerable danger for the user.

## ADDITIONAL SAFETY RULES FOR TOOL

### For both miter saw mode and table saw (bench saw) mode:

- 1. Wear eye and hearing protection. Other suitable personal protective equipment should be worn.**
- 2. NEVER wear gloves during operation except for replacing saw blades or handling rough material before operation.**
- 3. Keep the floor area around the tool level well maintained and free of loose materials e.g. chips and cut-offs.**

4. Do not operate saw without guards and riving knife in place. Check blade guards for proper closing before each use. Do not operate saw if blade guards do not move freely and close instantly. Never clamp or tie the blade guards into the open position. Any irregular operation of the blade guards should be corrected immediately.
  5. Clean and be careful not to damage the spindle, flanges (especially the installing surface) and hex bolt before or when installing the blade. Damage to these parts could result in blade breakage. Poor installation may cause vibration/wobbling or slippage of the blade. Use only flanges specified for this tool.
  6. Check the blade carefully for cracks or damage before operation. Do not use saw blade which are damaged or deformed.
  7. Use only saw blades recommended by the manufacturer and which conform to EN847-1, and observe that the riving knife must not be thicker than the width of the cut by the saw blade and not thinner than the body of the blade.
  8. Always use accessories recommended in this manual. Use of improper accessories such as abrasive cut-off wheels may cause an injury.
  9. Select the correct saw blade for the material to be cut.
  10. Do not use saw blades manufactured from high speed steel.
  11. To reduce the emitted noise, always be sure that the blade is sharp and clean.
  12. Use correctly sharpened saw blades. Observe the maximum speed marked on the saw blade.
  13. Do not cut metals such as nails and screws. Inspect for and remove all nails, screws and other foreign matter from the workpiece before operation.
  14. Knock out any loose knots from workpiece BEFORE beginning to cut.
  15. Don't use the tool in the presence of flammable liquids or gases.
  16. For your safety, remove the chips, small pieces, etc. from the work area and table top before plugging the tool and starting operation.
  17. The operator is adequately trained in the use, adjustment and operation of the tool.
  18. Keep hands and make your bystander and yourself position out of path of and not in line with saw blade. Avoid contact with any coasting blade. It can still cause severe injury and never reach around saw blade.
  19. Be alert at all times, especially during repetitive, monotonous operations. Don't be lulled into a false sense of security. Blades are extremely unforgiving.
  20. Make sure the shaft lock is released before the switch is turned on.
  21. Before using the tool on an actual workpiece, let it run for a while. Watch for vibration or wobbling that could indicate poor installation or a poorly balanced blade.
  22. Wait until the blade attains full speed before cutting.
  23. The tool should not be used for slotting, rabbetting or grooving.
  24. Refrain from removing any cut-offs or other parts of the workpiece from the cutting area whilst the tool is running and the saw head is not in the rest position.
  25. Stop operation immediately if you notice anything abnormal.
  26. Turn off tool and wait for saw blade to stop before moving workpiece or changing settings.
  27. Unplug tool before changing blade, servicing or not in use.
  28. Some dust created from operation contains chemicals known to cause cancer, birth defects or other reproductive harm. Some examples of these chemicals are:
    - lead from lead-based-painted material and,
    - arsenic and chromium from chemically-treated lumber.

Your risk from these exposures varies, depending on how often you do this type of work. To reduce your exposure to these chemicals: work in a well ventilated area and work with approved safety equipment, such as those dust masks that are specially designed to filter out microscopic particles.
  29. Connect the tool to a dust collecting device when sawing.
- When using in miter saw mode:**
30. Do not use the saw to cut other than wood, aluminum or similar materials.
  31. Do not perform operation freehand when cutting workpiece in an area close to saw blade. The workpiece must be secured firmly against the turn base and guide fence during all operations.
  32. Make sure that the turn base is properly secured so it will not move during operation.
  33. Make sure that the arm is securely fixed when beveling. Tighten the lever clockwise to fix the arm.
  34. Make sure the blade does not contact the turn base in the lowest position and is not contacting the workpiece before the switch is turned on.
  35. Hold the handle firmly. Be aware that the saw moves up or down slightly during start-up and stopping.
  36. Replace the kerf board when worn.
- When using in the table saw (bench saw) mode:**
37. Do not perform any operation freehand. Freehand means using your hands to support or guide the workpiece, in lieu of a rip fence.
  38. Make sure that the arm is securely fixed in the working position. Tighten the lever clockwise to fix the arm.
  39. Use a push stick or a push block to avoid working with the hands and fingers close to the saw blade.
  40. Make sure that the bench saw table is securely fixed at the chosen height.
  41. Make sure the blade is not contacting the riving knife or workpiece before the switch is turned on.
  42. Always store the push-stick when it is not in use.

43. Pay particular attention to instructions for reducing risk of KICKBACK. KICKBACK is a sudden reaction to a pinched, bound or misaligned saw blade. KICKBACK causes the ejection of the workpiece from the tool back towards the operator. KICKBACKS CAN LEAD TO SERIOUS PERSONAL INJURY. Avoid KICKBACKS by keeping the blade sharp, by keeping the rip fence parallel to the blade, by keeping the riving knife and blade guard in place and operating properly, by not releasing the workpiece until you have pushed it all the way past the blade, and by not ripping a workpiece that is twisted or warped or does not have a straight edge to guide along the fence.
44. Avoid abrupt, fast feeding. Feed as slowly as possible when cutting hard workpieces. Do not bend or twist workpiece while feeding. If you stall or jam the blade in the workpiece, turn the tool off immediately. Unplug the tool. Then clear the jam.

## SAVE THESE INSTRUCTIONS.

### INSTALLATION

#### CAUTION:

- Keep the floor area around the tool level well maintained and free of loose materials such as chips and cut-offs.

#### Installing auxiliary plate (Fig. 1 & 2)

Install the auxiliary plate using the notch in the tool's base and secure it by tightening the hex bolt.

#### Bench mounting (Fig. 3)

This tool should be bolted with two bolts to a level and stable surface using the bolt holes provided in the tool's base. This will help prevent tipping and possible injury.

### FUNCTIONAL DESCRIPTION

#### CAUTION:

- Always be sure that the tool is switched off and unplugged before adjusting or checking function on the tool.

#### Blade guard (Fig. 4 & 5)

#### CAUTION:

- Make sure that the handle cannot be lowered without pushing the lever nearby the handle to the left.
- Make sure that the lower blade guards A and B do not open unless the lever near the handle is pushed at the topmost position of the handle.

When lowering the handle while pushing the lever to the left, the lower blade guard A rises automatically. The lower blade guard B rises as it contacts a workpiece. The lower blade guards are spring loaded so it returns to its original position when the cut is completed and the handle is raised. The top blade guard falls flat on the top surface after workpiece has passed under it. NEVER DEFEAT OR REMOVE THE LOWER BLADE GUARDS, THE SPRING WHICH ATTACHES TO THE LOWER BLADE GUARD, OR THE TOP BLADE GUARD.

In the interest of your personal safety, always maintain each blade guard in good condition. Any irregular operation of the guards should be corrected immediately. Check to assure spring loaded return action of the lower blade guards. NEVER USE THE TOOL IF THE LOWER BLADE GUARD, SPRING OR THE TOP BLADE GUARD ARE DAMAGED, FAULTY OR REMOVED. DOING SO IS HIGHLY DANGEROUS AND CAN CAUSE SERIOUS PERSONAL INJURY.

If any of these see-through blade guards becomes dirty, or sawdust adheres to it in such a way that the blade is no longer easily visible, unplug the saw and clean the guards carefully with a damp cloth. Do not use solvents or any petroleum-based cleaners on the plastic guard.

If the lower blade guard A is especially dirty and vision through the guard is impaired, proceed as follows. Fix the top table at the fully elevated position, raise the handle fully, push in fully the stopper pin with the handle fully raised, and use the supplied socket wrench to loosen the hex bolt holding the center cover. Loosen the hex bolt by turning it counterclockwise and raise the lower blade guard A and center cover while pushing the lever to the left. With the lower blade guard A so positioned, cleaning can be more completely and efficiently accomplished. When cleaning is complete, reverse procedure above and secure bolt.

In the same case for the top blade guard as above stated, loosen the screw holding it with a screwdriver and remove the top blade guard. After cleaning, always reinstall it securely by tightening the screw to the extent that the top blade guard moves smoothly up or down.

If any of these blade guards becomes discolored through age or UV light exposure, contact a Makita service center for a new guard. DO NOT DEFEAT OR REMOVE GUARDS.

#### Maintaining maximum cutting capacity (Fig. 6 & 7)

This tool is factory adjusted to provide the maximum cutting capacity for a 260 mm saw blade.

When installing a new blade, always check the lower limit position of the blade and if necessary, adjust it as follows:

#### CAUTION:

- When making this adjustment, position the top table at the lowest position after unplugging the tool.

First, unplug the tool. Position the top table at the lowest position. Lower the handle completely. Use the socket wrench to turn the adjusting bolt that you can find below in the biggest hole in the top table, until the periphery of the blade extends slightly below the top surface of the turn base at the point where the front face of the guide fence meets the top surface of the turn base.

With the tool unplugged, rotate the blade by hand while holding the handle all the way down to be sure that the blade does not contact any part of the lower base. Re-adjust slightly, if necessary.

#### CAUTION:

- After installing a new blade, always be sure that the blade does not contact any part of the lower base when the handle is lowered completely. Always do this with the tool unplugged.

### Adjusting the miter angle (Fig. 8)

Loosen the grip by turning counterclockwise. Turn the turn base while pressing down the lock lever. When you have moved the grip to the position where the pointer points to the desired angle on the miter scale, securely tighten the grip clockwise.

#### CAUTION:

- When turning the turn base, be sure to raise the handle fully.
- After changing the miter angle, always secure the turn base by tightening the grip firmly.

### Adjusting the bevel angle (Fig. 9 & 10)

To adjust the bevel angle, loosen the lever at the rear of the tool counterclockwise.

Push the handle to the left to tilt the saw blade until the pointer points to the desired angle on the bevel scale. Then tighten the lever clockwise firmly to secure the arm.

#### CAUTION:

- When tilting the saw blade, be sure to raise the handle fully.
- After changing the bevel angle, always secure the arm by tightening the lever clockwise.

### Switch action (Fig. 11)

#### CAUTION:

- Before operation, make sure that the tool is turned on and off.

To start the tool, press the ON ( I ) button. To stop it, press the OFF ( O ) button.

### Lighting up the lamps (Fig. 11 & 12)

#### For Model LH1040F only

Push the upper position of the switch for turning on the light and the lower position for off.

#### CAUTION:

- Do not look in the light or see the source of light directly.

#### NOTE:

- Use a dry cloth to wipe the dirt off the lens of lamp. Be careful not to scratch the lens of light, or it may lower the illumination.

### Adjusting the level of top table (Fig. 13)

To adjust the level of top table, loosen two levers by turning counterclockwise and then raise or lower the top table. Tighten these levers firmly after the adjustment.

#### WARNING:

- Position the top table at the topmost position when using the tool in the miter saw mode and at the desired position when using in the table saw mode (bench mode).

## ASSEMBLY

#### CAUTION:

- Always be sure that the tool is switched off and unplugged before carrying out any work on the tool.

### Installing or removing saw blade

#### CAUTION:

- Always be sure that the tool is switched off and unplugged before installing or removing the blade.
- Use only the Makita socket wrench provided to install or remove the blade. Failure to do so may result in overtightening or insufficient tightening of the hex bolt. This could cause an injury.

Secure the top table at the topmost position.

Lock the handle in the raised position by pushing in the stopper pin. (Fig. 14)

To remove the blade, first loosen the clamping screw so that the lower blade guard B is lowered as shown in the figure. (Fig. 15)

Then use the socket wrench to loosen the hex bolt holding the center cover by turning it counterclockwise. Raise the lower blade guard A and center cover while pushing the lever nearby the handle to the left. (Fig. 16)

Press the shaft lock to lock the spindle and use the socket wrench to loosen the hex bolt clockwise. Then remove the hex bolt, outer flange and blade. (Fig. 17)

To install the blade, mount it carefully onto the spindle, making sure that the direction of the arrow on the surface of the blade matches the direction of the arrow on the blade case. Install the outer flange and hex bolt, and then use the socket wrench to tighten the hex bolt (left-handed) securely counterclockwise while pressing the shaft lock. (Fig. 18 & 19)

#### NOTE:

- When installing a saw blade, be sure to insert it from the outside of the blade guard B at first and then raise it so that the blade is finally placed in the blade guard B.

### For all countries other than European countries

#### CAUTION:

- The silver ring 25.4 mm in outer diameter is factory-installed onto the spindle. The black ring 25 mm in outer diameter is included as standard equipment. Before mounting the blade onto the spindle, always be sure that the correct ring for the arbor hole of the blade you intend to use is installed onto the spindle. (Fig. 20)

### For European countries

#### CAUTION:

- The ring 30 mm in outer diameter is factory-installed between the inner and outer flanges. (Fig. 20)

Return the lower blade guard A and center cover to its original position. Then tighten the hex bolt clockwise to secure the center cover. Raise the blade guard B as far as it will go and tighten the clamping screw firmly while holding it in the raised position. Lower the handle to make sure that the lower blade guards move properly. Make sure shaft lock has released spindle before making cut.

## Adjusting riving knife

Before adjusting the riving knife, loosen the two levers by turning counterclockwise and press the top table on the right side nearby the riving knife to its lowered position. Then secure the top table by firmly re-tightening the two levers as shown in the figure. **(Fig. 21)**

There must be a clearance of about 4 – 5 mm between the riving knife and the blade teeth. Adjust the riving knife accordingly by loosening two hex bolts counterclockwise with the hex socket wrench and measuring the distance. Tighten the hex bolts securely, and then check to see that the top blade guard works smoothly before cutting. **(Fig. 22)**

The riving knife has been installed before shipment from the factory so that the blade and riving knife are in a straight line. **(Fig. 23)**

### CAUTION:

- If the blade and riving knife are not aligned properly, a dangerous pinching condition may result during operation. Make sure they are properly aligned. You could suffer serious personal injury while using the tool without a properly aligned riving knife. If they are not aligned for any reasons, always have Makita authorized service center repair it.

## Installing and adjusting rip fence

1. Install the rip fence on the table so that the rip fence holder engages with the guide rail. Tighten the clamping screw (B) of the rip fence firmly clockwise.
2. Loosen the clamping screw (A).
3. Slide the rip fence and secure it so that the far end from you of the rip fence is aligned with the point at which the front edge of saw blade just appears from top surface of the workpiece. The purpose of this adjustment is to reduce risk of kick-back toward operator that cut piece from the workpiece is pinched between the saw blade and rip fence and finally pushed out toward operator. The line 3 varies by thickness of workpiece or the table level. Adjust the position of the rip fence according to the thickness of the workpiece.

After adjusting the rip fence, tighten the clamping screw (A) firmly. **(Fig. 24 & 25)**

### NOTE:

- There are four patterns to position the rip fence as shown in the figure. **(Fig. 26)** Rip fence has two slits on its sides, one slit with an elevated fringe nearby on the same side and the other without it. Use the surface of rip fence with this fringe facing the workpiece only when cutting off into a piece of a thin workpiece.
- To change the rip fence pattern, remove the rip fence from the rip fence holder by loosening the clamping screw (A) and change the facing of the rip fence to the rip fence holder so that the rip fence faces the rip fence holder according to your work as shown in the figure. Insert the square nut on the rip fence holder into the back end of either slit of the rip fence so that they fit as shown in the figure.

To change from the pattern A or B to the pattern C or D, or in adverse case, remove the square nut, washer and clamping screw (A) from the rip fence holder, then position the clamping screw (A), washer and square nut on the opposite position of the rip fence holder compared to the original position. Tighten the clamping screw (A) securely after inserting the square nut of the rip fence holder into the rip fence slit. Insert the square nut on the rip fence holder into the back end of either slit of the rip fence so that they fit as shown in the figure. **(Fig. 27)**

The rip fence is factory adjusted so that it is parallel to the blade surface. Make sure that it is parallel. To check to be sure that the rip fence is parallel with the blade. Lower the table to the lowest position so that the blade appears at the topmost position from the table. Mark one of the blade teeth with a crayon. Measure the distance (A) and (B) between the rip fence and blade. Take both measurements using the tooth marked with the crayon. **(Fig. 28)** These two measurements should be identical. If the rip fence is not parallel with the blade, proceed as follows: **(Fig. 29)**

1. Turn two adjusting screws counterclockwise.
2. Shift the back edge of the rip fence slightly to right or left until it becomes parallel with the blade.
3. Tighten the two screws on the rip fence firmly.

### CAUTION:

- Be sure to adjust the rip fence so that it is parallel with the blade, or a dangerous kickback condition may occur.
- Be sure to adjust the rip fence so that it does not contact the top blade guard or saw blade. **(Fig. 30)**

## Dust bag

The use of the dust bag makes cutting operations clean and dust collection easy. To attach the dust bag, fit it onto the dust nozzle. **(Fig. 31)**

### NOTE:

- In miter saw mode, always insert the dust bag to the back nozzle only.

When the dust bag is about half full, remove the dust bag from the tool and pull the fastener out. Empty the dust bag of its contents, tapping it lightly so as to remove particles adhering to the insides which might hamper further collection. **(Fig. 32)**

If you connect a vacuum cleaner to your saw, more efficient and cleaner operations can be performed.

To install the blade cover when using in the table saw mode (bench mode), turn the turn base to 0° miter angle (see the section titled "Adjusting miter angle") and place the blade cover on the turn table so that the blade cover is centered over the slit for the blade entrance in the turn table and then lock the handle in the lowest position by fully pushing in the stopper pin as shown in the figure. **(Fig. 33)**

### NOTE:

- To attach the dust bag to the front dust nozzle in the table saw mode (bench mode), first remove the cap from the front dust nozzle and then attach the dust bag to the dust nozzle.
- When not in use of dust bag, always replace the cap to the front dust nozzle. Failure to do so result in dust scattering from the nozzle.
- When using the tool in the table saw mode (bench mode), make sure that the blade cover is installed on the turn table.



## Securing workpiece

Whenever possible, secure the workpiece with the optional vise. If you must use your hand to hold the workpiece, then it must be done firmly and securely so as not to lose control of the workpiece. Your hand and arm must be kept well away from the blade area (100 mm minimum). Squeeze the workpiece firmly against the guide fence with your fingers held over the top of the guide fence. The workpiece must also rest steadily on the turn base.

### WARNING:

- Never use your hand to hold the workpiece that requires your hand to be any closer than 100 mm from the blade area. In this case, always use the optional vise to secure the workpiece. After any cutting operation, raise the blade gently. Never raise the blade until it has come to a complete stop. Serious injury may result.

### CAUTION:

- When cutting long workpieces, use supports that are as high as the top surface level of the turn base. Do not rely solely on the vertical vise and/or horizontal vise (both optional) to secure the workpiece. (Fig. 34)

Thin material tends to sag. Support workpiece over its entire length to avoid blade pinch and possible KICK-BACK.

## Vertical vise (optional accessory) (Fig. 35)

The vertical vise can be installed in two positions on either the left or right side of the guide fence or the holder assembly (optional accessory). Insert the vise rod into the hole in the guide fence or the holder assembly and tighten the screw to secure the vise rod.

Position the vise arm according to the thickness and shape of the workpiece and secure the vise arm by tightening the screw. If the screw to secure the vise arm contacts the guide fence, install the screw on the opposite side of vise arm. Make sure that no part of the tool contacts the vise when lowering the handle all the way. If some part contacts the vise, re-position the vise.

Press the workpiece flat against the guide fence and the turn base. Position the workpiece at the desired cutting position and secure it firmly by tightening the vise knob.

### CAUTION:

- The workpiece must be secured firmly against the turn base and guide fence.

## Horizontal vise (optional accessory) (Fig. 36)

The horizontal vise can be installed on either the left or right side of the base. When performing 15° or greater miter cuts, install the horizontal vise on the side opposite the direction in which the turn base is to be turned. By turning the vise knob counterclockwise, the screw is released and the vise shaft can be moved rapidly in and out. By turning the vise knob clockwise, the screw remains secured. To grip the workpiece, turn the vise knob gently clockwise until the projection reaches its top-most position, then fasten securely. If the vise knob is forced in or pulled out while being turned clockwise, the projection may stop at an angle. In this case, turn the vise knob back counterclockwise until the screw is released, before turning again gently clockwise.

The maximum width of the workpiece which can be secured by the horizontal vise is 130 mm.

## Holders and holder assembly (optional accessories)

The holders and the holder assembly can be installed on either side as a convenient means of supporting workpieces horizontally. Install them as shown in the figure. Then tighten the screws firmly to secure the holders and the holder assembly. (Fig. 37)

When cutting long workpieces, use the holder-rod assembly (optional accessory). It consists of two holder assemblies and two rods 12. (Fig. 38)

### CAUTION:

- Always support long workpieces level with the top surface of the turn base for accurate cuts and to prevent dangerous loss of control of the tool.

## OPERATION

### CAUTION:

- Before use, be sure to release the handle from the lowered position by pulling the stopper pin.
- Make sure the blade is not contacting the workpiece, etc. before the switch is turned on.

## CUTTING AS MITER SAW

### WARNING:

- When using the tool in the miter saw mode, secure the top table at the topmost position so that the saw blade never protrudes from the top surface of the top table.

### CAUTION:

- Do not apply excessive pressure on the handle when cutting. Too much force may result in overload of the motor and/or decreased cutting efficiency. Push down handle with only as much force as is necessary for smooth cutting and without significant decrease in blade speed.
- Gently press down the handle to perform the cut. If the handle is pressed down with force or if lateral force is applied, the blade will vibrate and leave a mark (saw mark) in the workpiece and the precision of the cut will be impaired.

### 1. Press cutting (Fig. 39)

Secure the workpiece against guide fence and turn table. Switch on the tool without the blade making any contact and wait until the blade attains full speed before lowering. Then gently lower the handle to the fully lowered position to cut the workpiece. When the cut is completed, switch off the tool and WAIT UNTIL THE BLADE HAS COME TO A COMPLETE STOP before returning the blade to its fully elevated position.

### 2. Miter cutting

Refer to the previously covered "Adjusting the miter angle".

### 3. Bevel cut (Fig. 40)

Loosen the lever and tilt the saw blade to set the bevel angle (Refer to the previously covered "Adjusting the bevel angle"). Be sure to retighten the lever firmly to secure the selected bevel angle safely. Secure the workpiece against guide fence and turn table. Make sure the carriage is pulled all the way back toward the operator. Switch on the tool without the blade making any contact and wait until the blade attains full speed. Then gently lower the handle to the fully lowered position while applying pressure in parallel with the blade. When the cut is completed, switch off the tool and WAIT UNTIL THE BLADE HAS COME TO A COMPLETE STOP before returning the blade to its fully elevated position.

**CAUTION:**

- Always be sure that the blade will move down to bevel direction during a bevel cut. Keep hands out of path of saw blade.
- During a bevel cut, it may create a condition whereby the piece cut off will come to rest against the side of the blade. If the blade is raised while the blade is still rotating, this piece may be caught by the blade, causing fragments to be scattered which is dangerous. The blade should be raised ONLY after the blade has come to a complete stop.
- When pressing the handle down, apply pressure parallel to the blade. If the pressure is not parallel to the blade during a cut, the angle of the blade might be shifted and the precision of the cut will be impaired.

**4. Compound cutting**

Compound cutting is the process in which a bevel angle is made at the same time in which a miter angle is being cut on a workpiece. Compound cutting can be performed at angle shown in the table.

Bevel angle	Miter angle
45°	Left and Right 0° – 45°

When performing compound cutting, refer to “Press cutting”, “Miter cutting” and “Bevel cut” explanations.

**5. Cutting aluminum extrusion (Fig. 41)**

When securing aluminum extrusions, use spacer blocks or pieces of scrap as shown in the figure to prevent deformation of the aluminum. Use a cutting lubricant when cutting the aluminum extrusion to prevent buildup of the aluminum material on the blade.

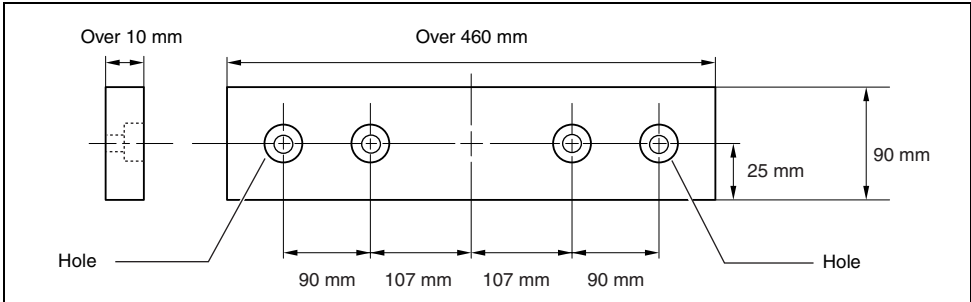
**CAUTION:**

- Never attempt to cut thick or round aluminum extrusions. Thick aluminum extrusions may come loose during operation and round aluminum extrusions cannot be secured firmly with this tool.
- Never cut aluminum in the table saw mode (bench mode).

**6. Wood facing**

Use of wood facing helps to assure splinter-free cuts in workpieces. Attach a wood facing to the guide fence using the holes in the guide fence.

See the figure concerning the dimensions for a suggested wood facing.



**CAUTION:**

- Use straight wood of even thickness as the wood facing.
- Use screws to attach the wood facing to the guide fence. The screws should be installed so that the screw heads are below the surface of the wood facing.
- When the wood facing is attached, do not turn the turn base with the handle lowered. The blade and/or the wood facing will be damaged.

**7. Cutting repetitive lengths (Fig. 42)**

When cutting several pieces of stock to the same length, ranging from 240 mm to 400 mm, use of the set plate will facilitate more efficient operation. Install the set plate on the holder as shown in the figure.

Align the cutting line on your workpiece with either the left or right side of the groove in the kerf board, and while holding the workpiece from moving, move the set plate flush against the end of the workpiece. Then secure the set plate with the screw. When the set plate is not used, loosen the screw and turn the set plate out of the way.

**NOTE:**

- Use of the holder-rod assembly (optional accessory) allows cutting repetitive lengths up to 2,200 mm approximately.

## CUTTING AS TABLE SAW (BENCH MODE)

### CAUTION:

- When using the tool in the table saw mode (bench mode), place the blade cover on the turn table so that the blade cover is centered over the slit for the blade entrance in the turn table and two small bosses on the underside of the blade cover fit into the semi-circular slit in the periphery of the turn table as shown in the figure and then lock the handle in the lowest position by fully pushing in the stopper pin. **(Fig. 43)**
- Always use “work helpers” such as push sticks and push blocks when there is a danger that your hands or fingers will come close to the blade.
- NEVER withdraw the workpiece while the blade is running. If you must withdraw the workpiece before completing a cut, first switch the tool off while holding the workpiece firmly. Wait until the blade has come to a complete stop before withdrawing the workpiece. Failure to do so may cause dangerous kickbacks.
- NEVER remove cut-off material while the blade is running.
- NEVER place your hands or fingers in the path of the saw blade.
- Always secure the rip fence firmly, or dangerous kickbacks may occur.

### Work helpers

Push sticks, push blocks or auxiliary fence are types of “work helpers”. Use them to make safe, sure cuts without the need for the operator to contact the blade with any part of the body.

### Push block (Fig. 44)

Use a 15 mm piece of plywood.

Handle should be in center of plywood piece. Fasten with glue and wood screws as shown. Small piece 10 mm x 9 mm x 30 mm of wood must always be glued to plywood to keep the blade from dulling if the operator cuts into push block by mistake. (Never use nails in push block.)

### Auxiliary fence (Fig. 45 & 46)

Make auxiliary fence from 10 mm and 15 mm plywood pieces.

Remove the rip fence, clamping screw (A), flat washer and square nut from the rip fence holder and then attach and secure the auxiliary fence to the rip fence holder by using a bolt M6 longer than M6 x 50, washers and nut.

### Ripping

#### CAUTION:

- When cutting long or large workpieces, always provide adequate support behind the table. DO NOT allow a long board to move or shift on the table. This will cause the blade to bind and increase the possibility of kickback and personal injury. The support should be at the same height as the table.
1. Adjust the depth of cut a bit higher than the thickness of the workpiece. To make this adjustment, loosen two levers and lower or raise the top table.
  2. Position the rip fence to the desired width of rip and secure in place by tightening the clamping screw (A). Before ripping, make sure the two screws of the rip fence holder are secured. If it is not secured enough, retighten it.
  3. Turn the tool on and gently feed the workpiece into the blade along with the rip fence.
    - (1) When the width of rip is 40 mm or wider, use a push stick. **(Fig. 47)**
    - (2) When the width of rip is narrower than 40 mm, the push stick cannot be used because the push stick will strike the top blade guard. Use the auxiliary fence and push block. Install securely the auxiliary fence which is secured to the rip fence holder on the table. Feed the workpiece by hand until the end is about 25 mm from the front edge of the top table. Continue to feed using the push block on the top of the auxiliary fence until the cut is complete. **(Fig. 48)**

### Carrying tool

Make sure that the tool is unplugged. Secure the blade at 0° bevel angle and the turn base at left miter angle fully. Lower the handle fully and lock it in the lowered position by fully pushing in the stopper pin. **(Fig. 49)**

Carry the tool by holding both sides of the tool base as shown in the figure. If you remove the holders, dust bag, etc., you can carry the tool more easily. **(Fig. 50)**

#### CAUTION:

- Always secure all moving portions before carrying the tool.

## MAINTENANCE

#### CAUTION:

- Always be sure that the tool is switched off and unplugged before attempting to perform inspection or maintenance.

#### WARNING:

- Always be sure that the blade is sharp and clean for the best and safest performance.

### Adjusting the cutting angle

This tool is carefully adjusted and aligned at the factory, but rough handling may have affected the alignment. If your tool is not aligned properly, perform the following:

#### 1. Miter angle

Loosen the grip which secures the turn base. Turn the turn base so that the pointer points to 0° on the miter scale. Tighten the grip and loosen the hex bolts securing the guide fence using the socket wrench. **(Fig. 51)**

Lower the handle fully and lock it in the lowered position by pushing in the stopper pin. Square the side of the blade with the face of the guide fence using a triangular rule, try-square, etc. Then securely tighten the hex bolts on the guide fence in the order from the right side. **(Fig. 52)**

#### 2. Bevel angle

- (1) 0° bevel angle  
Lower the handle fully and lock it in the lowered position by pushing in the stopper pin. Loosen the lever at the rear of the tool. Turn the 0° bevel angle adjusting bolt on the right side of the turn base two or three revolutions clockwise to tilt the blade to the right. **(Fig. 53)**  
Carefully square the side of the blade with the top surface of the turn base using the triangular rule, try-square, etc. by turning the 0° bevel angle adjusting bolt counterclockwise. **(Fig. 54)**

Make sure that the pointer on the turn base point to 0° on the bevel scale on the arm. If it does not point to 0°, loosen the screw which secures the pointer and adjust the pointer so that it will point to 0°. **(Fig. 55)**

- (2) 45° bevel angle  
Adjust the 45° bevel angle only after performing 0° bevel angle adjustment. To adjust left 45° bevel angle, loosen the lever and tilt the blade to the left fully. Make sure that the pointer on the arm points to 45° on the bevel scale on the arm. If the pointer does not point to 45°, turn the 45° bevel angle adjusting bolt on the left side of the arm until the pointer points to 45°. (Fig. 56)

### Replacing carbon brushes (Fig. 57 & 58)

Remove and check the carbon brushes regularly. Replace when they wear down to the limit mark. Keep the carbon brushes clean and free to slip in the holders. Both carbon brushes should be replaced at the same time. Use only identical carbon brushes. Use a screwdriver to remove the brush holder caps. Take out the worn carbon brushes, insert the new ones and secure the brush holder caps.

### After use

- After use, wipe off chips and dust adhering to the tool with a cloth or the like. Keep the blade guard clean according to the directions in the previously covered section titled "Blade guard". Lubricate the sliding portions with tool oil to prevent rust.

To maintain product SAFETY and RELIABILITY, repairs, any other maintenance or adjustment should be performed by Makita Authorized Service Centers, always using Makita replacement parts.

## ACCESSORIES

### CAUTION:

- These accessories or attachments are recommended for use with your Makita tool specified in this manual. The use of any other accessories or attachments might present a risk of injury to persons. Only use accessory or attachment for its stated purpose.

If you need any assistance for more details regarding these accessories, ask your local Makita service center.

- Steel & Carbide-tipped saw blades
- Auxiliary plate
- Vise assembly (Horizontal vise)
- Vertical vise
- Socket wrench 13
- Holder set
- Holder assembly
- Holder rod assembly
- Set plate
- Dust bag
- Triangular rule
- Blade cover (Blade guard C)
- Push stick
- Ruler assembly (Rip fence)

## Noise and Vibration

ENG005-1

The typical A-weighted noise levels are  
sound pressure level: 92 dB (A)  
sound power level: 105 dB (A)  
– Wear ear protection. –

The typical weighted root mean square acceleration value is not more than 2.5 m/s<sup>2</sup>.

### EC-DECLARATION OF CONFORMITY

ENH003-1

We declare under our sole responsibility that this product is in compliance with the following standards of standardized documents,

EN61029, EN55014, EN61000  
in accordance with Council Directives, 73/23/EEC, 89/336/EEC and 98/37/EC.

Certificate of adequacy of the technical file with respect to 98/37/EC having been obtained from the following notified body:

Intertek SEMKO AB, Torshamnsgatan 43, Box 1103, SE-164 22 Kista, Sweden

Yasuhiko Kanzaki **CE2004**



Director

### MAKITA INTERNATIONAL EUROPE LTD.

Michigan Drive, Tongwell, Milton Keynes,  
Bucks MK15 8JD, ENGLAND

Übersicht

1 Kippsicherung	32 Sägeblattgehäuse	62 Auflagebügel
2 Sechskantschraube	33 Pfeil	63 Auflageplatte
3 Grundplatte	34 Außenflansch	64 Schraubstockknopf
4 Mutter	35 Innenflansch	65 Vorsprung
5 Schraube	36 Spindel	66 Schraubstockspindel
6 Untere Schutzhaube A	37 Ring	67 Stange 12
7 Untere Schutzhaube B	38 Spaltkeil	68 Schraubstock (Sonderzubehör)
8 Obere Schutzhaube	39 Andrückbereich	69 Distanzblock
9 Schraube	40 Sägeblattbreite	70 Aluminium-Werkstoff
10 Handgriff	41 Parallelanschlaghalter	71 Halteplatte
11 Hebel	42 Führungsschiene auf dem oberen Tisch	72 Kleiner Vorsprung
12 Steckschlüssel	43 Klemmschraube (A)	73 Seitenfläche/Kante parallel
13 Einstellschraube	44 Klemmschraube (B)	74 Holzschraube
14 Drehteller-Oberfläche	45 Parallelanschlag	75 Zusammenleimen
15 Sägeblattumfang	46 Parallelanschlaghalter	76 Loch (7 mm Durchmesser)
16 Gehrungsanschlag	47 Werkstück	77 Unterlegscheibe
17 Zeiger	48 Ausrichtungslinie	78 Mutter
18 Verriegelungshebel	49 Vierkantsmutter	79 Schraube M6
19 Griff	50 Maßstab	80 Schiebstock
20 Gehrungswinkelskala	51 Zwei Schrauben	81 Hilfsanschlag
21 Neigungswinkelskala	52 Absaugstutzen	82 Schiebeklotz
22 Schalter	53 Staubsack	83 Einstelldreieck
23 Lampenschalter	54 Verschluss	84 0°-Einstellschraube
24 Lampen	55 Kappe	85 Arm
25 Anschlagstift	56 Staubsauger	86 45°-Neigungswinkel-Einstellschraube
26 Klemmschraube	57 Sägeblattabdeckung	87 Verschleißgrenze
27 Oberer Tisch	58 Stütze	88 Schraubendreher
28 Motorgehäuse	59 Drehteller	89 Bürstenhalterkappe
29 Mittenabdeckung	60 Schraubstockarm	
30 Spindelarreterierung	61 Schraubstockstange	
31 Sägeblatt		

**TECHNISCHE DATEN**

<b>Modell</b>	<b>LH1040/LH1040F</b>
Sägeblattdurchmesser .....	255 mm – 260 mm
Bohrungsdurchmesser	
Für alle Länder außerhalb Europas .....	25,4 mm und 25 mm
Für europäische Länder .....	30 mm
Max. Schnitttiefen (H x B) mit Sägeblatt von 260 mm Durchmesser im Gehrungssägenmodus	

Neigungswinkel	Gehrungswinkel	
	0°	45°
0°	69 mm x 130 mm 93 mm x 95 mm	rechts 69 mm x 85 mm, 93 mm x 67 mm links 69 mm x 85 mm, 93 mm x 67 mm
45° (links)	35 mm x 130 mm 53 mm x 95 mm	rechts 35 mm x 91 mm, 49 mm x 67 mm links 35 mm x 65 mm, 49 mm x 42 mm

Max. Schnitttiefen bei 90° im Tischsägenmodus (Banksägenmodus) .....	40 mm
Leerlaufdrehzahl (min <sup>-1</sup> ) .....	4 800
Tischgröße (B x L) .....	260 mm x 405 mm
Abmessungen (L x B x H) .....	530 mm x 476 mm x 535 mm
Nettogewicht .....	13,7 kg
Sicherheitsklasse .....	II

- Wir behalten uns vor, Änderungen im Zuge der Entwicklung und des technischen Fortschritts ohne vorherige Ankündigung vorzunehmen.
- Hinweis: Die technischen Daten können von Land zu Land abweichen.

## Vorgesehene Verwendung

Die Maschine ist für präzise Geradschnitte und (nur bei Einsatz als Gehrungssäge auf dem unteren Tisch) Gehrungsschnitte in Holz vorgesehen.

## Stromversorgung

Die Maschine darf nur an die auf dem Typenschild angegebene Spannung angeschlossen werden und arbeitet nur mit Einphasen-Wechselspannung. Sie ist entsprechend den Europäischen Richtlinien doppelt geschützt und kann daher auch an Steckdosen ohne Erdungskabel angeschlossen werden.

## SICHERHEITSHINWEISE

**Achtung! Beim Gebrauch von Elektrowerkzeugen sind zum Schutz gegen elektrischen Schlag, Verletzung und Brandgefahr folgende grundsätzlichen Sicherheitsmaßnahmen zu beachten.**

**Lesen und beachten Sie diese Hinweise, bevor Sie das Gerät benutzen.**

- Halten Sie Ihren Arbeitsbereich in Ordnung**  
Unordnung im Arbeitsbereich ergibt Unfallgefahr.
- Berücksichtigen Sie Umgebungseinflüsse**  
Setzen Sie Elektrowerkzeuge nicht dem Regen aus. Benutzen Sie Elektrowerkzeuge nicht in feuchter oder nasser Umgebung. Sorgen Sie für gute Beleuchtung. Benutzen Sie Elektrowerkzeuge nicht in Nähe von brennbaren Flüssigkeiten oder Gasen.
- Schützen Sie sich vor elektrischem Schlag**  
Vermeiden Sie Körperberührung mit geerdeten Teilen, zum Beispiel Rohren, Heizkörpern, Herden, Kühlschränken.
- Halten Sie Kinder fern!**  
Lassen Sie andere Personen nicht das Werkzeug oder Kabel berühren, halten Sie sie von Ihrem Arbeitsbereich fern.
- Bewahren Sie Ihre Werkzeuge sicher auf**  
Unbenutzte Werkzeuge sollten in trockenem, verschlossenem Raum und für Kinder nicht erreichbar aufbewahrt werden.
- Überlasten Sie Ihr Werkzeug nicht**  
Sie arbeiten besser und sicherer im angegebenen Leistungsbereich.
- Benützen Sie das richtige Werkzeug**  
Verwenden Sie keine zu schwachen Werkzeuge oder Vorsatzgeräte für schwere Arbeiten. Benützen Sie Werkzeuge nicht für Zwecke und Arbeiten, Wofür sie nicht bestimmt sind; zum Beispiel benützen Sie keine Handkreissäge, um Bäume zu fällen oder Äste zu schneiden.
- Tragen Sie geeignete Arbeitskleidung**  
Tragen Sie keine weite Kleidung oder Schmuck. Sie können von beweglichen Teilen erfaßt werden. Bei Arbeiten im Freien sind Gummihandschuhe und rutschfestes Schuhwerk empfehlenswert. Tragen Sie bei langen Haaren ein Haarnetz.
- Schutzbrille und Gehörschutz tragen**  
Verwenden Sie eine Atemmaske bei stauberzeugenden Arbeiten.
- Schließen Sie eine Staubabsaugvorrichtung an**  
Wenn Geräte für den Anschluß von Staubabsaug- und sammelvorrichtungen ausgelegt sind, sorgen Sie dafür, daß diese angeschlossen und korrekt benutzt werden.

## 11. Zweckentfremden Sie nicht das Kabel

Tragen Sie das Werkzeug nicht am Kabel, und benützen Sie es nicht, um den Stecker aus der Steckdose zu ziehen. Schützen Sie das Kabel vor Hitze, Öl und scharfen Kanten.

## 12. Sichern Sie das Werkstück

Benützen Sie Spannvorrichtungen oder einen Schraubstock, um das Werkstück festzuhalten. Es ist damit sicherer gehalten als mit Ihrer Hand und ermöglicht die Bedienung der Maschine mit beiden Händen.

## 13. Überdehnen Sie nicht Ihren Standbereich

Vermeiden Sie abnormale Körperhaltung. Sorgen Sie für sicheren Stand, und halten Sie jederzeit das Gleichgewicht.

## 14. Pflegen Sie Ihre Werkzeuge mit Sorgfalt

Halten Sie Ihre Werkzeuge scharf und sauber, um gut und sicher zu arbeiten. Befolgen Sie die Wartungsvorschriften und die Hinweise für Werkzeugwechsel. Kontrollieren Sie regelmäßig den Stecker und das Kabel, und lassen Sie diese bei Beschädigung von einem anerkannten Fachmann erneuern. Kontrollieren Sie Verlängerungskabel regelmäßig und ersetzen Sie beschädigte. Halten Sie Handgriffe trocken und frei von Öl und Fett.

## 15. Ziehen Sie den Netzstecker

Bei Nichtgebrauch, vor der Wartung und beim Werkzeugwechsel, wie zum Beispiel Sägeblatt, Bohrer und Maschinenwerkzeugen aller Art.

## 16. Lassen Sie keine Werkzeugschlüssel stecken

Überprüfen Sie vor dem Einschalten, daß die Schlüssel und Einstellwerkzeuge entfernt sind.

## 17. Vermeiden Sie unbeabsichtigten Anlauf

Tragen Sie keine an das Stromnetz angeschlossene Werkzeuge mit dem Finger am Schalter. Vergewissern Sie sich, daß der Schalter beim Anschluß an das Stromnetz ausgeschaltet ist.

## 18. Verlängerungskabel im Freien

Verwenden Sie im Freien nur dafür zugelassene und entsprechend gekennzeichnete Verlängerungskabel.

## 19. Seien Sie stets aufmerksam

Beobachten Sie Ihre Arbeit. Gehen Sie vernünftig vor. Verwenden Sie das Werkzeug nicht, wenn Sie unkonzentriert sind.

## 20. Kontrollieren Sie Ihr Gerät auf Beschädigungen

Vor weiterem Gebrauch des Werkzeugs die Schutzeinrichtungen oder leicht beschädigte Teile sorgfältig auf ihre einwandfreie und bestimmungsgemäße Funktion überprüfen. Überprüfen Sie, ob die Funktion beweglicher Teile in Ordnung ist, ob sie nicht klemmen oder ob Teile beschädigt sind. Sämtliche Teile müssen richtig montiert sein und alle Bedingungen erfüllen, um den einwandfreien Betrieb des Gerätes zu gewährleisten.

Beschädigte Schutzvorrichtungen und Teile sollen sachgemäß durch eine Kundendienstwerkstatt repariert oder ausgewechselt werden, soweit nichts anderes in den Betriebsanleitungen angegeben ist. Beschädigte Schalter müssen bei einer Kundendienstwerkstatt ersetzt werden. Benutzen Sie keine Werkzeuge, bei denen sich der Schalter nicht ein und ausschalten läßt.

21. **Achtung!**  
Zu Ihrer eigenen Sicherheit, benutzen Sie nur Zubehör und Zusatzgeräte, die in der Bedienungsanleitung angegeben oder vom Werkzeug-Hersteller empfohlen oder angegeben werden. Der Gebrauch anderer als der in der Bedienungsanleitung oder im Katalog empfohlenen Einsatzwerkzeuge oder Zubehörteile kann eine persönliche Verletzungsgefahr für Sie bedeuten.
22. **Reparaturen nur vom Elektrofachmann.**  
Dieses Elektrowerkzeug entspricht den einschlägigen Sicherheitsbestimmungen. Reparaturen dürfen nur von einer Elektrofachkraft ausgeführt werden, andernfalls können Unfälle für den Betreiber entstehen.

## ZUSÄTZLICHE SICHERHEITSREGELN FÜR DIE MASCHINE

### Für Gehrungs- und Tischsägenmodus (Banksägenmodus):

1. Tragen Sie Augen- und Gehörschutz. Das Tragen anderer geeigneter Schutzausrüstung ist zu empfehlen.
2. Tragen Sie NIEMALS Handschuhe während der Arbeit, außer zum Auswechseln von Sägeblättern oder Handhaben von Rohmaterial vor der Arbeit.
3. Halten Sie den Bodenbereich um die Maschinenebene aufgeräumt und frei von losen Teilen, wie z.B. Spänen und Sägeabfällen.
4. Betreiben Sie die Säge nicht ohne Schutzvorrichtungen und Spaltkeil. Überprüfen Sie die Schutzhauben vor jeder Benutzung auf einwandfreies Schließen. Betreiben Sie die Säge nicht, wenn sich die Schutzhauben nicht ungehindert bewegen und unverzüglich schließen. Die Schutzhauben dürfen auf keinen Fall in der geöffneten Stellung festgeklemmt oder festgebunden werden. Funktionsstörungen der Schutzhauben müssen sofort behoben werden.
5. Reinigen Sie die Spindel, die Flansche (besonders die Montagefläche) und die Sechskantschraube, bevor und während Sie das Sägeblatt montieren, und achten Sie darauf, dass diese Teile nicht beschädigt werden. Eine Beschädigung dieser Teile kann zu einem Sägeblattbruch führen. Schlechte Montage kann Vibrieren/Flattem oder Schlupf des Sägeblatts verursachen. Verwenden Sie nur die für diese Maschine vorgeschriebenen Flansche.
6. Überprüfen Sie das Sägeblatt vor dem Betrieb sorgfältig auf Risse oder Beschädigung. Verwenden Sie keine beschädigten oder verformten Sägeblätter.
7. Verwenden Sie nur vom Hersteller empfohlene Sägeblätter, die dem Standard EN847-1 entsprechen, und achten Sie darauf, dass der Spaltkeil nicht dicker als die Breite des vom Sägeblatt erzeugten Schnitts und nicht dünner als die Sägeblattdicke ist.
8. Verwenden Sie immer die in dieser Anleitung empfohlenen Zubehörteile. Der Gebrauch ungeeigneten Zubehörs, z.B. von Trennscheiben, kann Verletzungen zur Folge haben.
9. Wählen Sie das korrekte Sägeblatt für das zu schneidende Material aus.
10. Verwenden Sie keine Sägeblätter aus Schnellstahl.
11. Um den erzeugten Geräuschpegel zu reduzieren, achten Sie stets darauf, dass das Sägeblatt scharf und sauber ist.
12. Verwenden Sie korrekt geschärfte Sägeblätter. Halten Sie die auf dem Sägeblatt angegebene Maximaldrehzahl ein.
13. Schneiden Sie keine Metallgegenstände, wie z.B. Nägel oder Schrauben. Untersuchen Sie das Werkstück sorgfältig auf Nägel, Schrauben und sonstige Fremdkörper, und entfernen Sie diese vor der Bearbeitung.
14. Schlagen Sie etwaige lose Knorren aus dem Werkstück heraus, BEVOR Sie mit dem Sägen beginnen.
15. Benutzen Sie die Maschine nicht in Gegenwart von brennbaren Flüssigkeiten oder Gasen.
16. Säubern Sie den Arbeitsbereich und die Tischplatte sicherheitshalber von Spänen, Kleinteilen usw., bevor Sie die Maschine anschließen und mit der Arbeit beginnen.
17. Die Bedienungsperson sollte in der Handhabung, Einstellung und Bedienung der Maschine hinreichend geschult sein.
18. Halten Sie Ihre Hände vom Sägeblatt fern, und achten Sie darauf, dass Umstehende und Sie selbst ausreichenden Abstand vom Sägeblatt haben und nicht in seiner Fluchtlinie stehen. Vermeiden Sie jegliche Berührung mit dem auslaufenden Sägeblatt. Es kann auch in diesem Zustand noch schwere Verletzungen verursachen. Fassen Sie auch niemals um das Sägeblatt.
19. Seien Sie stets wachsam, besonders bei sich dauernd wiederholenden, eintönigen Arbeiten. Lassen Sie sich nicht in ein trügerisches Sicherheitsgefühl wiegen. Sägeblätter kennen kein Erbarmen.
20. Vergewissern Sie sich vor dem Einschalten der Maschine, dass die Spindelarreterierung freigegeben ist.
21. Lassen Sie die Maschine vor dem eigentlichen Schneiden eines Werkstücks eine Weile laufen. Achten Sie auf Vibrationen oder Taumelbewegungen, die Anzeichen für schlechte Montage oder ein schlecht ausgewuchtetes Sägeblatt sein können.
22. Warten Sie, bis das Sägeblatt die volle Drehzahl erreicht hat, bevor Sie mit dem Schneiden beginnen.
23. Die Maschine darf nicht für Nutenfräsen, Falzfräsen oder Auskehlen verwendet werden.
24. Unterlassen Sie das Entfernen von Bruchstücken oder anderen Teilen des Werkstücks vom Schnittbereich, während die Maschine läuft und das Sägeblatt sich nicht in der Ruhestellung befindet.
25. Brechen Sie den Betrieb sofort ab, wenn Sie irgendetwas Ungewöhnliches bemerken.
26. Schalten Sie die Maschine aus und lassen Sie das Sägeblatt zum Stillstand kommen, bevor Sie das Werkstück bewegen oder Einstellungen ändern.

27. Trennen Sie die Maschine vom Stromnetz, bevor Sie das Sägeblatt wechseln und die Maschine warten oder stillsetzen.
28. Bei manchen Werkstoffen kann der beim Sägen erzeugte Staub Chemikalien enthalten, die erwiesenermaßen Krebs, Geburtsfehler oder Schäden an Fortpflanzungsorganen verursachen. Beispiele dieser Chemikalien sind wie folgt:
  - Blei in Lack mit Bleizusatz sowie
  - Arsen und Chrom in chemisch behandeltem Bauholz.
 Ihre Gefährdung durch den Umgang mit solchen Chemikalien hängt davon ab, wie oft Sie diese Arbeiten verrichten. Um Ihre Aussetzung zu diesen Chemikalien zu reduzieren: Arbeiten Sie in gut belüfteter Umgebung, und verwenden Sie geprüfte Sicherheitsvorrichtungen, wie z.B. Staubmasken, die mikroskopische Teilchen herausfiltern.
29. Schließen Sie die Maschine beim Betrieb an eine Staubsammelvorrichtung an.

#### Beim Betrieb im Gehrungssägenmodus:

30. Verwenden Sie die Säge nur zum Schneiden von Holz, Aluminium oder ähnlichen Materialien.
31. Halten Sie Werkstücke zum Schneiden nicht mit den Händen in der Nähe des Sägeblatts. Das Werkstück muss bei allen Operationen fest an Drehteller und Gehrungsanschlag anliegend gesichert werden.
32. Vergewissern Sie sich, dass der Drehteller einwandfrei gesichert ist, damit er sich während des Betriebs nicht bewegt.
33. Vergewissern Sie sich, dass der Arm einwandfrei gesichert ist, wenn Sie Neigungsschnitte ausführen. Ziehen Sie den Hebel zur Sicherung des Arms im Uhrzeigersinn an.
34. Vergewissern Sie sich, dass das Sägeblatt in der Tiefstellung nicht den Drehteller berührt und vor dem Einschalten der Maschine nicht mit dem Werkstück in Berührung ist.
35. Halten Sie den Handgriff sicher fest. Beachten Sie, dass sich die Säge beim Anlaufen und Abstellen geringfügig nach oben oder unten bewegt.
36. Wechseln Sie die Schlitzplatte bei Verschleiß aus.

#### Beim Betrieb im Tischsägenmodus (Banksägenmodus):

37. Führen Sie keine freihändigen Arbeiten aus. Mit freihändig ist die Verwendung nur der Hände zum Halten oder Führen des Werkstücks anstelle eines Parallelanschlags gemeint.
38. Vergewissern Sie sich, dass der Arm einwandfrei in der Arbeitsstellung gesichert ist. Ziehen Sie den Hebel zur Sicherung des Arms im Uhrzeigersinn an.
39. Verwenden Sie einen Schiebestock oder -klotz, um zu vermeiden, dass Ihre Hände und Finger in die Nähe des Sägeblatts kommen.
40. Vergewissern Sie sich, dass der Banksägentisch einwandfrei in der gewünschten Höhe festgestellt ist.
41. Vergewissern Sie sich vor dem Einschalten der Maschine, dass das Sägeblatt nicht den Spaltkeil oder das Werkstück berührt.

42. Bewahren Sie den Schiebestock stets sicher auf, wenn er nicht benutzt wird.
43. Beachten Sie besonders die Anweisungen zur Verringerung der Gefahr von RÜCKSCHLAG. RÜCKSCHLAG ist eine plötzliche Reaktion auf ein klemmendes, schleifendes oder versetztes Sägeblatt. RÜCKSCHLAG verursacht das Auswerfen des Werkstücks aus der Maschine nach hinten in Richtung der Bedienungsperson. RÜCKSCHLAG KANN ZU SCHWEREN VERLETZUNGEN FÜHREN. Vermeiden Sie RÜCKSCHLAG, indem Sie das Sägeblatt scharf halten, den Parallelanschlag parallel zum Sägeblatt halten, den Spaltkeil und die Schutzhaube anbringen und in einwandfreiem Betriebszustand halten, das Werkstück nicht eher loslassen, bis es vollkommen am Sägeblatt vorbeigeschoben ist und Werkstücke, die verdreht oder verzogen sind oder keine gerade Kante zur Führung entlang dem Parallelanschlag haben, nicht längssägen.
44. Vermeiden Sie ruckartiges oder zu schnelles Vorschieben. Schieben Sie harte Werkstücke möglichst langsam vor. Unterlassen Sie Biegen oder Verdrehen des Werkstücks während des Vorschubs. Falls das Sägeblatt im Werkstück hängen bleibt oder sich verklemmt, schalten Sie die Maschine sofort aus. Trennen Sie die Maschine vom Stromnetz. Befreien Sie dann das Sägeblatt.

#### BEWAHREN SIE DIESE HINWEISE SORGFÄLTIG AUF.

#### INSTALLATION

##### VORSICHT:

- Halten Sie den Bodenbereich um die Maschinenebene aufgeräumt und frei von losen Teilen, wie z.B. Spänen und Sägeabfällen.

#### Installieren der Kippsicherung (Abb. 1 und 2)

Montieren Sie die Kippsicherung in der Aussparung am Maschinenfuß, und sichern Sie sie durch Anziehen der Sechskantschraube.

#### Werkbankmontage (Abb. 3)

Diese Maschine sollte unter Verwendung der Schraubenbohrungen in der Grundplatte mit zwei Schrauben auf einer ebenen und stabilen Oberfläche befestigt werden. Dadurch werden Umkippen und mögliche Verletzungen vermieden.



## FUNKTIONSBESCHREIBUNG

### VORSICHT:

- Vergewissern Sie sich vor jeder Einstellung oder Funktionsprüfung der Maschine stets, dass sie ausgeschaltet und vom Stromnetz getrennt ist.

### Schutzhaube (Abb. 4 und 5)

#### VORSICHT:

- Vergewissern Sie sich, dass der Handgriff nicht abgesenkt werden kann, ohne den Hebel in seiner Nähe nach links zu drücken.
- Vergewissern Sie sich, dass sich die unteren Schutzhauben A und B nur öffnen, wenn der Hebel am Handgriff in der Hochstellung des Handgriffs gedrückt wird.

Wenn der Handgriff abgesenkt wird, während der Hebel nach links gedrückt wird, hebt sich die untere Schutzhaube A automatisch. Die untere Schutzhaube B hebt sich bei Berührung mit dem Werkstück. Die unteren Schutzhauben sind gefedert, so dass sie in ihre Ausgangsstellung zurückkehren, wenn der Schnitt vollendet ist und der Handgriff angehoben wird. Die obere Schutzhaube fällt flach auf die Oberseite, nachdem das Werkstück unter ihr hindurchgeschoben worden ist. **AUF KEINEN FALL DÜRFEN DIE UNTEREN SCHUTZHAUBEN, DIE AN DER UNTEREN SCHUTZHAUBE ANGEBRACHTE FEDER ODER DIE OBERE SCHUTZHAUBE FUNKTIONSunFÄHIG GEMACHT ODER ENTFERNT WERDEN.**

Im Interesse Ihrer eigenen Sicherheit sollten Sie die Schutzhauben stets in ordnungsgemäßem Zustand halten. Funktionsstörungen der Schutzhauben müssen sofort behoben werden. Überprüfen Sie die gefederte Rückkehrbewegung der unteren Schutzhauben. **BENUTZEN SIE DIE MASCHINE NIEMALS MIT BESCHÄDIGTER, DEFEKTER ODER FEHLENDER UNTERER SCHUTZHAUBE, FEDER ODER OBERER SCHUTZHAUBE. DIES IST ÄUSSERST GEFÄHRLICH UND KANN SCHWERE VERLETZUNGEN VERURSACHEN.** Wenn eine dieser transparenten Schutzhauben schmutzig wird oder soviel Sägemehl an ihr haftet, dass das Sägeblatt nicht mehr ohne weiteres sichtbar ist, sollten Sie die Säge vom Stromnetz trennen und die Schutzhaube mit einem feuchten Tuch sorgfältig reinigen. Verwenden Sie keine Lösungsmittel oder Reinigungsmittel auf Petroleumbasis zum Reinigen der Kunststoff-Schutzhaube.

Falls die untere Schutzhaube A besonders stark verschmutzt und die Sicht durch die Schutzhaube behindert ist, gehen Sie folgendermaßen vor. Fixieren Sie den oberen Tisch am oberen Anschlag, heben Sie den Handgriff vollständig an, drücken Sie den Anschlagstift bei vollständig angehobenem Handgriff hinein, und lösen Sie mit dem mitgelieferten Steckschlüssel die Sechskantschraube, mit der die Mittenabdeckung befestigt ist. Lösen Sie die Sechskantschraube durch Drehen entgegen dem Uhrzeigersinn, und heben Sie die untere Schutzhaube A und die Mittenabdeckung an, während Sie den Hebel nach links drücken. In dieser Stellung der unteren Schutzhaube A kann die Reinigung gründlicher und effizienter durchgeführt werden. Wenden Sie nach der Reinigung das obige Demontageverfahren umgekehrt an, und ziehen Sie die Schraube an.

Tritt der oben beschriebene Fall für die obere Schutzhaube ein, lösen Sie die Halteschraube mit einem Schraubendreher, und nehmen Sie die obere Schutzhaube ab. Befestigen Sie die Schutzhaube nach der Reinigung stets einwandfrei, indem Sie die Schraube so weit anziehen, dass sich die obere Schutzhaube ungehindert auf und ab bewegt.

Sollte sich eine dieser Schutzhauben durch Alterung oder UV-Strahlung verfärben, bestellen Sie eine neue Schutzhaube bei einer Makita-Kundendienststelle. **DIE SCHUTZHAUBEN DÜRFEN NICHT FUNKTIONSunFÄHIG GEMACHT ODER ENTFERNT WERDEN.**

### Aufrechterhaltung der maximalen Schnittleistung (Abb. 6 und 7)

Diese Maschine wurde werkseitig so eingestellt, dass die maximale Schnittleistung mit einem Sägeblatt von 260 mm Durchmesser erreicht wird.

Wenn Sie ein neues Sägeblatt montieren, überprüfen Sie immer die untere Grenzposition des Sägeblatts, und nehmen Sie nötigenfalls eine Einstellung vor, wie folgt:

#### VORSICHT:

- Senken Sie den oberen Tisch zur Durchführung dieser Einstellung auf die Tiefstellung ab, nachdem Sie die Maschine vom Stromnetz getrennt haben.

Ziehen Sie zuerst den Netzstecker ab. Senken Sie den oberen Tisch auf die Tiefstellung ab. Senken Sie den Handgriff völlig ab. Drehen Sie die Einstellschraube in der größten Öffnung des oberen Tisches mit dem Steckschlüssel, bis der Sägeblattumfang am Berührungspunkt von Gehrungsanschlag-Vorderseite und Drehteller-Oberfläche geringfügig unterhalb der Drehteller-Oberfläche liegt.

Drehen Sie das Sägeblatt bei vom Stromnetz getrennter Maschine von Hand, während Sie den Handgriff in der Tiefstellung halten, um sicherzugehen, dass das Sägeblatt keinen Teil des Auflagetisches berührt. Nötigenfalls ist eine Nachjustierung vorzunehmen.

#### VORSICHT:

- Vergewissern Sie sich nach der Montage eines neuen Sägeblatts stets, dass das Sägeblatt in der Tiefstellung des Handgriffs keinen Teil des Auflagetisches berührt. Führen Sie diese Überprüfung immer bei abgezogenem Netzstecker durch.

### Einstellen des Gehrungswinkels (Abb. 8)

Lösen Sie den Griff durch Linksdrehung. Drehen Sie den Drehteller, während Sie den Verriegelungshebel niederdrücken. Bewegen Sie den Griff, bis der Zeiger auf den gewünschten Winkel der Gehrungswinkelskala zeigt, und ziehen Sie dann den Griff durch Rechtsdrehung fest.

#### VORSICHT:

- Bringen Sie den Handgriff in die Hochstellung, bevor Sie den Drehteller drehen.
- Sichern Sie den Drehteller nach jeder Änderung des Gehrungswinkels stets durch Anziehen des Griffs gegen Verdrehen.

### **Einstellen des Neigungswinkels (Abb. 9 und 10)**

Um den Neigungswinkel einzustellen, lösen Sie den Hebel auf der Rückseite der Maschine durch Linksdrehen.

Schwenken Sie den Handgriff nach links, um den Sägekopf zu neigen, bis der Zeiger auf den gewünschten Winkel der Neigungswinkelskala zeigt. Ziehen Sie dann den Verriegelungshebel durch Rechtsdrehen fest, um den Arm einwandfrei zu sichern.

#### **VORSICHT:**

- Bringen Sie den Handgriff in die Hochstellung, bevor Sie das Sägeblatt neigen.
- Sichern Sie den Arm nach jeder Änderung des Neigungswinkels stets durch Anziehen des Hebels im Uhrzeigersinn.

### **Schalterfunktion (Abb. 11)**

#### **VORSICHT:**

- Vergewissern Sie sich vor dem Betrieb, dass sich die Maschine einwandfrei ein- und ausschalten lässt.

Drücken Sie zum Einschalten der Maschine den Einschaltknopf ( I ). Drücken Sie zum Ausschalten den Ausschaltknopf ( O ).

### **Ein- und Ausschalten der Lampen (Abb. 11 und 12)**

#### **Nur für Modell LH1040F**

Drücken Sie den Schalter zum Einschalten der Lampe nach oben, und zum Ausschalten nach unten.

#### **VORSICHT:**

- Blicken Sie nicht direkt in die Lampe oder die Lichtquelle.

#### **HINWEIS:**

- Wischen Sie Schmutz auf der Lampenlinse mit einem trockenen Tuch ab. Achten Sie sorgfältig darauf, dass Sie die Lampenlinse nicht verkratzen, weil sich sonst die Lichtstärke verringert.

### **Einstellen der Höhe des oberen Tisches (Abb. 13)**

Um die Höhe des oberen Tisches einzustellen, lösen Sie die zwei Hebel durch Linksdrehen, und heben oder senken Sie dann den oberen Tisch. Ziehen Sie diese Hebel nach der Einstellung wieder fest.

#### **WARNUNG:**

- Heben Sie den oberen Tisch auf die Höchststellung an, um die Maschine im Gehrungssägenmodus zu betreiben, und stellen Sie ihn im Tischsägenmodus (Banksägenmodus) auf die gewünschte Höhe ein.

### **MONTAGE**

#### **VORSICHT:**

- Vergewissern Sie sich vor der Ausführung von Arbeiten an der Maschine stets, dass sie ausgeschaltet und vom Stromnetz getrennt ist.

### **Montieren und Demontieren des Sägeblatts**

#### **VORSICHT:**

- Vergewissern Sie sich vor der Montage oder Demontage des Sägeblatts stets, dass die Maschine ausgeschaltet und vom Stromnetz getrennt ist.
- Verwenden Sie nur den mitgelieferten Makita-Steckschlüssel zum Montieren und Demontieren des Sägeblatts. Anderenfalls besteht die Gefahr, dass die Sechskantschraube zu fest oder unzureichend angezogen wird. Dies könnte zu einer Verletzung führen.

Sichern Sie den oberen Tisch in der Höchststellung.

Arretieren Sie den Handgriff durch Hineinschieben des Anschlagstifts in der Hochstellung. **(Abb. 14)**

Um das Sägeblatt zu entfernen, lösen Sie zunächst die Klemmschraube, so dass die untere Schutzhaube B abgesenkt wird, wie in der Abbildung gezeigt. **(Abb. 15)**

Lösen Sie dann die Sechskantschraube, mit der die Mittenabdeckung befestigt ist, durch Linksdrehung mit dem Steckschlüssel. Heben Sie die untere Schutzhaube A und die Mittenabdeckung an, während Sie den Hebel am Handgriff nach links drücken. **(Abb. 16)**

Blockieren Sie die Spindel durch Drücken der Spindelarretierung, und lösen Sie die Sechskantschraube (linksgängig) durch Rechtsdrehung des Steckschlüssels. Entfernen Sie dann Sechskantschraube, Außenflansch und Sägeblatt. **(Abb. 17)**

Zum Montieren schieben Sie das Sägeblatt vorsichtig auf die Spindel, wobei Sie darauf achten, dass der Pfeil auf dem Sägeblatt in dieselbe Richtung zeigt wie der Pfeil auf der Schutzhaube. Bringen Sie Außenflansch und Sechskantschraube an, und ziehen Sie dann die Sechskantschraube (linksgängig) bei gedrückter Spindelarretierung durch Linksdrehung des Steckschlüssels fest. **(Abb. 18 und 19)**

#### **HINWEIS:**

- Führen Sie das Sägeblatt zum Installieren zunächst von der Außenseite der Schutzhaube B ein, und heben Sie es dann so weit an, dass es sich in der Schutzhaube B befindet.

### **Für alle Länder außerhalb Europas**

#### **VORSICHT:**

- Der silberne Ring von 25,4 mm Außendurchmesser wurde werksseitig auf die Spindel montiert. Der schwarze Ring von 25 mm Außendurchmesser wird als Standardzubehör mitgeliefert. Bevor Sie das Sägeblatt an der Spindel anbringen, sollten Sie sich stets vergewissern, dass der korrekte Ring für die Spindelbohrung des zu benutzenden Sägeblatts auf die Spindel montiert ist. **(Abb. 20)**

### **Für europäische Länder**

#### **VORSICHT:**

- Der Ring mit 30 mm Außendurchmesser wurde werksseitig zwischen Innen- und Außenflansch installiert. **(Abb. 20)**

Bringen Sie die untere Schutzhaube A und die Mittenabdeckung wieder in ihre Ausgangsstellung. Ziehen Sie dann die Sechskantschraube zur Sicherung der Mittenabdeckung im Uhrzeigersinn an. Heben Sie die Schutzhaube B bis zum Anschlag an, und ziehen Sie die Klemmschraube fest an, während Sie die Schutzhaube in der angehobenen Stellung halten. Senken Sie den Handgriff ab, um zu prüfen, ob sich die unteren Schutzhauben einwandfrei bewegen. Vergewissern Sie sich vor der Benutzung der Maschine, dass die Spindelarretierung gelöst ist.

### Einstellen des Spaltkeils

Bevor Sie den Spaltkeil einstellen, lösen Sie die zwei Hebel durch Linksdrehen, und drücken Sie den oberen Tisch auf der rechten Seite in der Nähe des Spaltkeils auf die Tiefstellung herunter. Sichern Sie dann den oberen Tisch, indem Sie die zwei Hebel wieder fest anziehen, wie in der Abbildung gezeigt. **(Abb. 21)**

Es muss ein Abstand von etwa 4 – 5 mm zwischen dem Spaltkeil und den Sägeblattzähnen vorhanden sein. Stellen Sie den Spaltkeil entsprechend ein, indem Sie die zwei Sechskantschrauben durch Linksdrehen mit dem Steckschlüssel lösen und den Abstand messen. Ziehen Sie die Sechskantschrauben fest an, und stellen Sie dann sicher, dass die obere Schutzhaube einwandfrei funktioniert, bevor Sie mit dem Sägen beginnen. **(Abb. 22)**

Der Spaltkeil ist werksseitig so eingestellt worden, dass sich Sägeblatt und Spaltkeil auf einer geraden Linie befinden. **(Abb. 23)**

#### VORSICHT:

- Falls Sägeblatt und Spaltkeil nicht einwandfrei fluchten, kann es während des Betriebs zu einer gefährlichen Klemmwirkung kommen. Vergewissern Sie sich daher, dass sie korrekt ausgerichtet sind. Wird die Maschine ohne korrekt ausgerichteten Spaltkeil benutzt, kann es zu schweren Verletzungen kommen. Sind die Teile aus irgendeinem Grund nicht ausgerichtet, lassen Sie unbedingt eine Reparatur von einer autorisierten Makita-Kundendienststelle durchführen.

### Installieren und Einstellen des Parallelenschlags

1. Befestigen Sie den Parallelenschlag so am Tisch, dass der Parallelenschlaghalter auf der Führungsschiene ruht. Ziehen Sie die Klemmschraube (B) des Parallelenschlags fest im Uhrzeigersinn an.
2. Lösen Sie die Klemmschraube (A).
3. Verschieben Sie den Parallelenschlag und befestigen Sie ihn so, dass das von Ihnen abgewandte Ende auf den Punkt ausgerichtet ist, an dem die Vorderkante des Sägeblatts gerade auf der Oberseite des Werkstücks erscheint. Der Zweck dieser Einstellung besteht darin, die Gefahr eines Rückschlags in Richtung der Bedienungsperson zu reduzieren, bei dem das vom Werkstück abgeschnittene Stück zwischen Sägeblatt und Parallelenschlag eingeklemmt und zur Bedienungsperson herausgeschleudert wird. Die Lage der Linie 3 hängt von der Dicke des Werkstücks oder der Tischhöhe ab. Stellen Sie die Position des Parallelenschlags entsprechend der Dicke des Werkstücks ein. Nachdem Sie den Parallelenschlag eingestellt haben, ziehen Sie die Klemmschraube (A) wieder fest an. **(Abb. 24 und 25)**

#### HINWEIS:

- Es gibt vier Muster zur Positionierung des Parallelenschlags, wie in der Abbildung gezeigt. **(Abb. 26)** Der Parallelenschlag besitzt zwei Schlitzlöcher in seinen Seitenflächen, einer mit erhöhtem Rand auf der gleichen Seite, und einer ohne Rand. Die mit diesem Rand versehene Fläche des Parallelenschlags sollte nur dann zum Werkstück weisen, wenn ein Stück eines dünnen Werkstücks abgeschnitten wird.
- Um das Parallelenschlagmuster zu ändern, entfernen Sie den Parallelenschlag vom Halter, indem Sie die Klemmschraube (A) lösen, und ändern Sie die Ausrichtung des Parallelenschlags zum Halter, so dass je nach der anstehenden Arbeit die entsprechende Seite zum Halter weist, wie in der Abbildung gezeigt. Führen Sie die Vierkantmutter am Parallelenschlaghalter in das hintere Ende des jeweiligen Schlitzes im Parallelenschlag ein, so dass sie die in der Abbildung gezeigte Position hat.

Um das Muster von A oder B nach C oder D oder umgekehrt zu ändern, entfernen Sie Vierkantmutter, Unterlegscheibe und Klemmschraube (A) vom Parallelenschlaghalter, und bringen Sie dann Klemmschraube (A), Unterlegscheibe und Vierkantmutter auf der entgegengesetzten Seite der ursprünglichen Position an. Ziehen Sie die Klemmschraube (A) fest an, nachdem Sie die Vierkantmutter des Parallelenschlaghalters in den Schlitz des Parallelenschlags eingeführt haben. Führen Sie die Vierkantmutter am Parallelenschlaghalter in das hintere Ende des jeweiligen Schlitzes im Parallelenschlag ein, so dass sie die in der Abbildung gezeigte Position hat. **(Abb. 27)**

Der Parallelenschlag ist werksseitig so eingestellt, dass er parallel zur Sägeblattfläche liegt. Vergewissern Sie sich, dass er parallel ist. Um sicherzustellen, dass der Parallelenschlag parallel zum Sägeblatt ist, senken Sie den Tisch auf die Tiefstellung ab, so dass das Sägeblatt am weitesten vom Tisch übersteht. Markieren Sie einen der Sägeblattzähne mit einem Buntstift. Messen Sie die Abstände (A) und (B) zwischen Parallelenschlag und Sägeblatt. Verwenden Sie für beide Messungen den markierten Zahn. **(Abb. 28)** Diese beiden Messungen müssen identisch sein. Ist der Parallelenschlag nicht parallel zum Sägeblatt, gehen Sie wie folgt vor: **(Abb. 29)**

1. Drehen Sie die zwei Einstellschrauben entgegen dem Uhrzeigersinn.
2. Verschieben Sie die Hinterkante des Parallelenschlags geringfügig nach rechts oder links, bis er parallel zum Sägeblatt ist.
3. Ziehen Sie die zwei Schrauben am Parallelenschlag fest an.

#### VORSICHT:

- Stellen Sie den Parallelenschlag unbedingt parallel zum Sägeblatt ein, weil sonst eine gefährliche Rückschlagsituation eintreten kann.
- Stellen Sie den Parallelenschlag so ein, dass er nicht mit der oberen Schutzhaube oder dem Sägeblatt in Berührung kommt. **(Abb. 30)**

## Staubsaack

Der Staubsaack ermöglicht sauberes Arbeiten und einfaches Staubsammeln. Zum Anbringen wird der Staubsaack auf den Absaugstutzen geschoben. (**Abb. 31**)

### HINWEIS:

- Bringen Sie den Staubsaack im Gehrungssägenmodus immer nur am rückseitigen Absaugstutzen an.

Wenn der Staubsaack etwa halb voll ist, nehmen Sie ihn von der Maschine ab und ziehen den Verschluss heraus. Entleeren Sie den Staubsaack, indem Sie ihn leicht abklopfen, um die an den Innenflächen haftenden Staubpartikel, die den Durchlass behindern können, zu lösen. (**Abb. 32**)

Wenn Sie einen Makita-Staubsauger an Ihre Säge anschließen, können Sie noch effizienter und sauberer arbeiten.

Um die Sägeblattabdeckung bei Verwendung im Tischsägegenmodus (Banksägegenmodus) zu installieren, stellen Sie den Drehteller auf den 0°-Gehrungswinkel ein (siehe den Abschnitt "Einstellen des Gehrungswinkels"), bringen Sie die Sägeblattabdeckung so am Drehteller an, dass die Sägeblattabdeckung über dem Sägeblattschlitz des Drehtellers zentriert ist, und verriegeln Sie dann den Handgriff in der Tiefstellung, indem Sie den Anschlagstift vollständig hineindrücken, wie in der Abbildung gezeigt. (**Abb. 33**)

### HINWEIS:

- Um den Staubsaack im Tischsägegenmodus (Banksägegenmodus) am vorderen Absaugstutzen anzubringen, nehmen Sie zuerst die Kappe vom Absaugstutzen ab, und bringen Sie dann den Staubsaack am Absaugstutzen an.
- Wenn der Staubsaack nicht benutzt wird, verschließen Sie den vorderen Absaugstutzen stets mit der Kappe. Anderenfalls tritt Staub aus dem Absaugstutzen aus.
- Wenn Sie die Maschine im Tischsägegenmodus (Banksägegenmodus) verwenden, achten Sie darauf, dass die Sägeblattabdeckung am Drehteller angebracht ist.

## Sicherung von Werkstücken

Spannen Sie das Werkstück nach Möglichkeit in den optionalen Schraubstock ein. Wenn Sie das Werkstück mit der Hand halten müssen, halten Sie es mit festem Griff, damit Sie nicht die Kontrolle über das Werkstück verlieren. Halten Sie Hand und Arm vom Sägeblattbereich fern (mindestens 100 mm). Drücken Sie das Werkstück fest gegen den Gehrungsanschlag, indem Sie mit Ihren Fingern über den Gehrungsanschlag greifen. Das Werkstück muss auch fest auf dem Drehteller aufliegen.

### WARNUNG:

- Halten Sie ein Werkstück, bei dem Ihre Hand näher als 100 mm an den Sägeblattbereich herankommt, niemals mit der Hand. Sichern Sie das Werkstück in diesem Fall immer mit dem optionalen Schraubstock. Heben Sie das Sägeblatt nach jedem Schneidvorgang sachte an. Heben Sie das Sägeblatt erst an, nachdem es zum völligen Stillstand gekommen ist. Anderenfalls kann es zu schweren Verletzungen kommen.

### VORSICHT:

- Wenn Sie lange Werkstücke schneiden, verwenden Sie Stützen, die ebenso hoch sind wie die Oberseite des Drehtellers. Verlassen Sie sich nicht nur auf den Vertikal- und/oder Horizontalschraubstock (beide optional) zur Sicherung des Werkstücks. (**Abb. 34**)  
Dünnnes Material neigt zum Durchhängen. Stützen Sie das Werkstück auf seiner gesamten Länge ab, um Klemmen des Sägeblatts und möglichen RÜCKSCHLAG zu vermeiden.

## Vertikal-Schraubstock (Sonderzubehör) (Abb. 35)

Der Vertikal-Schraubstock kann an zwei Positionen entweder auf der linken oder rechten Seite des Gehrungsanschlags oder der Auflageplatte (Sonderzubehör) montiert werden. Setzen Sie die Schraubstockstange in die Bohrung des Gehrungsanschlags oder der Auflageplatte ein, und sichern Sie sie durch Anziehen der Schraube.

Stellen Sie den Schraubstockarm auf die Abmessungen des Werkstücks ein, und sichern Sie ihn durch Anziehen der Schraube. Falls die Befestigungsschraube des Schraubstockarms mit dem Gehrungsanschlag in Berührung kommt, installieren Sie die Schraube auf der entgegengesetzten Seite des Schraubstockarms. Vergewissern Sie sich, dass keine Maschinenteile mit dem Schraubstock in Berührung kommen, wenn der Handgriff auf die Tiefstellung abgesenkt wird. Falls irgendwelche Teile mit dem Schraubstock in Berührung kommen, ist der Schraubstock zu versetzen.

Drücken Sie das Werkstück flach gegen Gehrungsanschlag und Drehteller. Bringen Sie das Werkstück in die gewünschte Schnittposition, und sichern Sie es einwandfrei durch Anziehen des Schraubstockknopfes.

### VORSICHT:

- Das Werkstück muss fest an Drehteller und Gehrungsanschlag anliegend gesichert werden.

## Horizontal-Schraubstock (Sonderzubehör)

### (Abb. 36)

Der Horizontal-Schraubstock kann entweder auf der linken oder rechten Seite des Auflagetisches montiert werden. Wenn Gehrungsschnitte in einem Winkel von 15° oder mehr ausgeführt werden, ist der Horizontal-Schraubstock auf der entgegengesetzten Seite der Drehteller-Drehrichtung zu montieren. Durch Linksdrehung des Schraubstockknopfes wird die Schraube gelöst, so dass der Schraubstock schnell vor- und zurückgeschoben werden kann. Durch Rechtsdrehen des Schraubstockknopfes bleibt die Schraube gesichert. Drehen Sie den Schraubstockknopf zum Einspannen von Werkstücken sachte im Uhrzeigersinn, bis der Vorsprung seine Höchstposition erreicht, und ziehen Sie ihn dann fest. Wird der Schraubstockknopf während der Rechtsdrehung hineingedrückt oder herausgezogen, bleibt der Vorsprung eventuell schräg stehen. Drehen Sie den Schraubstockknopf in diesem Fall entgegen dem Uhrzeigersinn zurück, bis sich die Schraube löst, bevor Sie ihn wieder sachte im Uhrzeigersinn drehen. Werkstücke von maximal 130 mm Breite können mit dem Horizontal-Schraubstock eingespannt werden.

## Auflagebügel und Auflageplatte (Sonderzubehör)

Die Auflagebügel und die Auflageplatte können zur zusätzlichen horizontalen Abstützung von Werkstücken auf beiden Seiten montiert werden. Montieren Sie die Teile, wie in der Abbildung gezeigt. Ziehen Sie dann die Schrauben fest, um Auflagebügel und Auflageplatte zu sichern. (Abb. 37)

Wenn Sie lange Werkstücke sägen, verwenden Sie den Auflageverlängerungssatz (Sonderzubehör). Dieser besteht aus zwei Auflageplatten und zwei Stangen 12. (Abb. 38)

### VORSICHT:

- Lange Werkstücke müssen stets auf gleicher Höhe mit der Drehteller-Oberfläche abgestützt werden, um genaue Schnitte auszuführen und gefährlichen Verlust der Kontrolle über die Maschine zu vermeiden.

## BETRIEB

### VORSICHT:

- Lösen Sie den Handgriff vor der Benutzung unbedingt aus der Tiefstellung, indem Sie den Anschlagstift herausziehen.
- Vergewissern Sie sich vor dem Einschalten der Maschine, dass das Sägeblatt nicht das Werkstück usw. berührt.

## VERWENDUNG ALS GEHRUNGSSÄGE

### WARNUNG:

- Wenn Sie die Maschine im Gehrungssägenmodus verwenden, sichern Sie den oberen Tisch in der Höchststellung, damit das Sägeblatt nicht über die Oberfläche des oberen Tisches hinausragt.

### VORSICHT:

- Üben Sie beim Schneiden keinen übermäßigen Druck auf den Handgriff aus. Zu starker Druck kann zu Überlastung des Motors und/oder verminderter Schnittleistung führen. Drücken Sie den Handgriff nur mit so viel Kraft nieder, wie für reibungslosen Sägebetrieb notwendig ist, ohne einen beträchtlichen Abfall der Sägeblattzahl zu verursachen.
- Drücken Sie den Handgriff zur Ausführung des Schnitts sachte nieder. Bei zu großer oder seitlicher Kraftausübung kann das Sägeblatt in Schwingung versetzt werden, wodurch zusätzliche Sägespuren im Werkstück erzeugt werden und die Schnittgenauigkeit beeinträchtigt wird.

### 1. Kappschnitt (Abb. 39)

Legen Sie das Werkstück auf den Gehrungsanschlag und den Drehteller auf. Spannen Sie das Werkstück mit dem Schraubstock ein. Schalten Sie die Maschine ein, ohne dass das Sägeblatt Kontakt hat, und warten Sie, bis es seine volle Drehzahl erreicht, bevor Sie es absenken. Senken Sie dann den Handgriff zum Schneiden des Werkstücks sachte bis auf die Tiefstellung ab. Sobald der Schnitt beendet ist, schalten Sie die Maschine aus, und WARTEN SIE, BIS DAS SÄGEBLATT ZUM VÖLLIGEN STILLSTAND GEKOMMEN IST, bevor Sie den Sägekopf wieder ganz anheben.

### 2. Gehrungsschnitt

Nehmen Sie auf den vorherigen Abschnitt "Einstellen des Gehrungswinkels" Bezug.

### 3. Neigungsschnitt (Abb. 40)

Lösen Sie den Hebel, und neigen Sie das Sägeblatt auf den gewünschten Neigungswinkel (siehe den obigen Abschnitt "Einstellen des Neigungswinkels"). Ziehen Sie den Hebel unbedingt fest an, um den eingestellten Neigungswinkel einwandfrei zu sichern. Legen Sie das Werkstück auf den Gehrungsanschlag und den Drehteller auf. Vergewissern Sie sich, dass der Schlitten ganz in Richtung der Bedienungsperson zurückgezogen ist. Schalten Sie die Maschine ein, ohne dass das Sägeblatt Kontakt hat, und warten Sie, bis es seine volle Drehzahl erreicht. Senken Sie dann den Handgriff unter Druckausübung in Richtung des Sägeblatts sachte bis zur Tiefstellung ab. Sobald der Schnitt beendet ist, schalten Sie die Maschine aus, und WARTEN SIE, BIS DAS SÄGEBLATT ZUM VÖLLIGEN STILLSTAND GEKOMMEN IST, bevor Sie den Sägekopf wieder ganz anheben.

### VORSICHT:

- Vergewissern Sie sich stets, dass sich das Sägeblatt während eines Neigungsschnitts in Schrägrichtung senkt. Halten Sie Ihre Hände von der Schnittlinie des Sägeblatts fern.
- Bei Neigungsschnitten kann es vorkommen, dass das abgeschnittene Stück an der Seitenfläche des Sägeblatts aufliegt. Durch Anheben des Sägekopfes bei noch laufender Maschine kann das Werkstück vom Sägeblatt erfasst werden, was zu gefährlichem Herausgeschleudern von Bruchstücken führen kann. Der Sägekopf darf erst angehoben werden, nachdem das Sägeblatt zum völligen Stillstand gekommen ist.
- Üben Sie den Druck auf den Handgriff immer nur parallel zum Sägeblatt aus. Verläuft die Druckrichtung während eines Schnitts nicht parallel zum Sägeblatt, kann sich der Winkel des Sägeblatts verändern, wodurch die Schnittgenauigkeit beeinträchtigt wird.

#### 4. Compoundsschnitt

Unter Compoundsschnitt versteht man das Schneiden eines Werkstücks mit gleichzeitiger Gehrungs- und Neigungswinkeleinstellung. Die Kombinationsmöglichkeiten entnehmen Sie bitte der nachstehenden Tabelle.

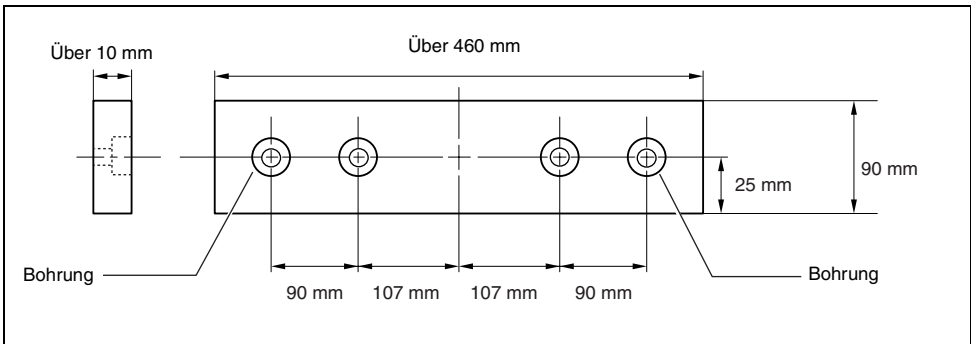
Neigungswinkel	Gehrungswinkel
45°	Links und Rechts 0° – 45°

Nehmen Sie zur Durchführung von Compoundsschnitten auf die Erläuterungen unter "Kappschnitt", "Gehrungsschnitt" und "Neigungsschnitt" Bezug.

#### 6. Zwischenbrett

Durch die Verwendung eines Zwischenbretts lassen sich Werkstücke splitterfrei sägen. Die Bohrungen im Gehrungsanschlag dienen als Befestigungshilfe für ein Zwischenbrett.

Die Maße für ein vorgeschlagenes Zwischenbrett sind aus der Abbildung ersichtlich.



#### VORSICHT:

- Verwenden Sie glatt gehobeltes Holz von gleichmäßiger Dicke als Zwischenbrett.
- Befestigen Sie das Zwischenbrett mit Schrauben am Gehrungsanschlag. Die Schrauben sind so zu installieren, dass die Schraubenköpfe im Zwischenbrett versenkt sind.
- Drehen Sie den Drehteller bei montiertem Zwischenbrett nicht mit abgesenktem Handgriff. Anderenfalls kommt es zu einer Beschädigung des Sägeblatts und/oder des Zwischenbretts.

#### 7. Wiederholtes Schneiden auf gleiche Länge (Abb. 42)

Wenn Sie mehrere Werkstücke innerhalb des Bereichs von 240 mm bis 400 mm auf die gleiche Länge schneiden, ist die Verwendung der Anschlagplatte zu empfehlen, um rationeller zu arbeiten. Montieren Sie die Anschlagplatte am Auflagebügel, wie in der Abbildung gezeigt.

Richten Sie die Schnittlinie des Werkstücks entweder auf die linke oder rechte Kante der Nut in der Schlitzplatte aus, und schieben Sie die Anschlagplatte bündig gegen das Ende des Werkstücks, während Sie das Werkstück am Verutschen hindern. Sichern Sie dann die Anschlagplatte mit der Flügelschraube. Wenn Sie die Anschlagplatte nicht benutzen, lösen Sie die Flügelschraube, um die Anschlagplatte zur Seite zu schieben.

#### HINWEIS:

- Der Auflageverlängerungssatz (Sonderzubehör) ermöglicht das wiederholte Schneiden auf gleiche Längen von bis zu etwa 2 200 mm.

#### 5. Schneiden von Aluminium-Strangpressprofilen (Abb. 41)

Verwenden Sie zum Einspannen von Aluminium-Strangpressprofilen Distanzblöcke oder Abfallholzstücke, wie in der Abbildung gezeigt, um eine Verformung des Aluminiums zu vermeiden. Verwenden Sie Schneidflüssigkeit zum Schneiden von Aluminium-Strangpressprofilen, um die Ablagerung von Aluminium-Rückständen am Sägeblatt zu verhüten.

#### VORSICHT:

- Versuchen Sie niemals, dickes oder rundes Aluminium-Strangpressmaterial zu schneiden. Dicke Aluminium-Strangpressprofile können sich während der Arbeit lösen, und runde Aluminium-Strangpressprofile lassen sich mit dieser Maschine nicht einwandfrei einspannen.
- Schneiden Sie auf keinen Fall Aluminium im Tischsäge-Modus (Banksägenmodus).

#### VERWENDUNG ALS TISCHSÄGE (BANKSÄGENMODUS)

#### VORSICHT:

- Wenn Sie die Maschine im Tischsäge-Modus (Banksägenmodus) verwenden, bringen Sie die Sägeblattabdeckung so am Drehteller an, dass sie über dem Sägeblattschlitz im Drehteller zentriert ist und die zwei kleinen Vorsprünge auf der Unterseite der Sägeblattabdeckung in dem halbkreisförmigen Schlitz am Rand des Drehtellers sitzen, wie in der Abbildung gezeigt, und verriegeln Sie dann den Handgriff in der Tiefstellung, indem Sie den Anschlagstift vollständig hineindrücken. (Abb. 43)
- Verwenden Sie stets "Arbeitshilfen", wie z.B. Schiebestöcke und Schieblöcke, wenn die Gefahr besteht, dass Sie mit den Händen oder Fingern in die Nähe des Sägeblatts kommen.

- Entnehmen Sie das Werkstück NIEMALS bei rotierendem Sägeblatt. Wenn Sie das Werkstück vor der Vollendung eines Schnitts entnehmen müssen, schalten Sie zuerst die Maschine aus, während Sie das Werkstück festhalten. Warten Sie, bis das Sägeblatt zum vollkommenen Stillstand gekommen ist, bevor Sie das Werkstück entnehmen. Anderenfalls kann es zu gefährlichen Rückschlägen kommen.
- Entfernen Sie abgesägtes Material NIEMALS bei rotierendem Sägeblatt.
- Halten Sie NIEMALS Ihre Hände oder Finger in den Weg des Sägeblatts.
- Sichern Sie den Parallelanschlag stets einwandfrei, weil es sonst zu gefährlichen Rückschlägen kommen kann.

### Arbeitshilfen

Schiebestöcke, Schiebeklötze oder Hilfsanschläge sind "Arbeitshilfen". Verwenden Sie diese, um sichere, saubere Schnitte auszuführen und zu verhindern, dass Sie mit irgendeinem Körperteil das Sägeblatt berühren.

### Schiebeklotz (Abb. 44)

Verwenden Sie ein 15 mm dickes Sperrholzstück. Der Handgriff muss in der Mitte des Sperrholzstücks liegen. Befestigen Sie ihn mit Leim und Holzschrauben, wie gezeigt. Ein kleines Holzstück von 10 mm × 9 mm × 30 mm muss immer an das Sperrholz angeleimt werden, um Abstumpfen des Sägeblatts zu verhindern, falls die Bedienungsperson versehentlich in den Schiebeklotz schneidet. (Niemals Nägel im Schiebeklotz verwenden.)

### Hilfsanschlag (Abb. 45 und 46)

Fertigen Sie einen Hilfsanschlag aus 10 und 15 mm dicken Sperrholzstücken an.

Entfernen Sie Parallelanschlag, Klemmschraube (A), Unterlegscheibe und Vierkantmutter vom Parallelanschlaghalter, und befestigen Sie dann den Hilfsanschlag mit einer M6-Schraube länger als M6 × 50, Unterlegscheiben und einer Mutter am Parallelanschlaghalter.

### Längssägen

VORSICHT:

- Wenn Sie lange oder große Werkstücke sägen, sorgen Sie stets für angemessene Abstützung hinter dem Tisch. Achten Sie darauf, dass sich ein langes Brett NICHT auf dem Tisch bewegt oder verschiebt. Dies führt zu Klemmen des Sägeblatts und erhöht die Wahrscheinlichkeit von Rückschlägen und Verletzungen. Die Stütze sollte die gleiche Höhe wie der Tisch haben.
1. Stellen Sie die Schnitttiefe etwas größer als die Dicke des Werkstücks ein. Lösen Sie dazu die zwei Hebel, und senken oder heben Sie den oberen Tisch.
  2. Stellen Sie den Parallelanschlag auf die gewünschte Längsschnittbreite ein, und sichern Sie ihn durch Anziehen der Klemmschraube (A). Vergewissern Sie sich vor dem Längssägen, dass die zwei Schrauben am Parallelanschlaghalter angezogen sind. Falls sie locker sind, ziehen Sie sie fest.

3. Schalten Sie die Maschine ein, und schieben Sie das Werkstück entlang dem Parallelanschlag sachte gegen das Sägeblatt.

- (1) Wenn die Längsschnittbreite 40 mm oder breiter ist, verwenden Sie einen Schiebestock. (**Abb. 47**)
- (2) Wenn die Längsschnittbreite kleiner als 40 mm ist, kann der Schiebestock nicht verwendet werden, weil er mit der oberen Schutzhaube in Berührung kommt. Verwenden Sie einen Hilfsanschlag und einen Schiebeklotz. Befestigen Sie den Hilfsanschlag sicher am Parallelanschlaghalter auf dem Tisch. Schieben Sie das Werkstück von Hand vor, bis die Vorderkante etwa 25 mm von der Vorderkante des oberen Tisches entfernt ist. Schieben Sie das Werkstück mit Hilfe des Schiebeklotzes auf der Oberseite des Hilfsanschlages weiter vor, bis der Schnitt vollendet ist. (**Abb. 48**)

### Tragen der Maschine

Vergewissern Sie sich, dass der Netzstecker abgezogen ist. Sichern Sie das Sägeblatt in der 0°-Neigungswinkelstellung und den Drehteller ganz in der linken Gehrungswinkelstellung. Senken Sie den Handgriff ganz ab, und arretieren Sie ihn in der Tiefstellung, indem Sie den Anschlagstift vollständig hineindrücken. (**Abb. 49**)

Tragen Sie die Maschine, indem Sie die Grundplatte auf beiden Seiten halten, wie in der Abbildung gezeigt. Die Maschine lässt sich bequemer tragen, wenn Auflagebügel, Staubsack usw. entfernt werden. (**Abb. 50**)

VORSICHT:

- Sichern Sie stets alle beweglichen Teile, bevor Sie die Maschine tragen.

### WARTUNG

VORSICHT:

- Denken Sie vor der Durchführung von Überprüfungen oder Wartungsarbeiten stets daran, die Maschine auszuschalten und vom Stromnetz zu trennen.

WARNUNG:

- Achten Sie stets darauf, dass das Sägeblatt scharf und sauber ist, um die bestmögliche und sicherste Leistung zu erzielen.

### Einstellen des Schnittwinkels

Diese Maschine wurde werksseitig sorgfältig eingestellt und justiert, doch grobe Behandlung kann die Justierung beeinträchtigen. Sollte Ihre Maschine einer Nachjustierung bedürfen, gehen Sie folgendermaßen vor:

#### 1. Gehrungswinkel

Lösen Sie den Spanngriff, mit dem der Drehteller gesichert wird. Drehen Sie dann den Drehteller, so dass der Zeiger auf 0° auf der Gehrungswinkelskala zeigt. Ziehen Sie den Griff an, und lösen Sie die Sechskantschrauben, die den Gehrungsanschlag halten, mit dem Steckschlüssel. (**Abb. 51**)

Senken Sie den Handgriff ganz ab, und arretieren Sie ihn in der Tiefstellung durch Hineindrücken des Anschlagstifts. Bringen Sie die Seitenfläche des Sägeblatts mit Hilfe eines Einstellendreiecks, Anschlagwinkels usw. in den rechten Winkel mit der Fläche des Gehrungsanschlages. Ziehen Sie dann die Sechskantschrauben des Gehrungsanschlages von rechts der Reihe nach fest. (**Abb. 52**)

## 2. Neigungswinkel

### (1) 0°-Neigungswinkel

Senken Sie den Handgriff ganz ab, und arretieren Sie ihn in der Tiefstellung durch Hineindrücken des Anschlagstifts. Lösen Sie den Hebel auf der Rückseite der Maschine. Drehen Sie die 0°-Neigungswinkel-Einstellschraube auf der rechten Seite des Drehtellers um zwei bis drei Umdrehungen im Uhrzeigersinn, um das Sägeblatt nach rechts zu neigen. **(Abb. 53)**

Bringen Sie die Seitenfläche des Sägeblatts mit Hilfe eines Einstelldreiecks, Anschlagwinkels usw. in den rechten Winkel mit der Drehteller-Oberfläche, indem Sie die 0°-Neigungswinkel-Einstellschraube entgegen dem Uhrzeigersinn drehen. **(Abb. 54)**

Vergewissern Sie sich, dass der Zeiger am Drehteller auf 0° der Neigungswinkelskala am Arm zeigt. Falls der Zeiger nicht auf 0° zeigt, lösen Sie die Halteschraube des Zeigers, und stellen Sie den Zeiger so ein, dass er auf 0° zeigt. **(Abb. 55)**

### (2) 45°-Neigungswinkel

Diese Einstellung kann erst nach erfolgter Einstellung des 0°-Neigungswinkels durchgeführt werden. Zum Einstellen des linksseitigen 45°-Neigungswinkels lösen Sie den Hebel und neigen das Sägeblatt ganz nach links. Vergewissern Sie sich, dass der Zeiger am Arm auf 45° der Neigungswinkelskala am Arm zeigt. Falls der Zeiger nicht auf 45° zeigt, drehen Sie die 45°-Neigungswinkel-Einstellschraube auf der linken Seite des Arms, bis der Zeiger auf 45° zeigt. **(Abb. 56)**

## Auswechseln der Kohlebürsten (Abb. 57 und 58)

Die Kohlebürsten müssen regelmäßig entfernt und überprüft werden. Wenn sie bis zur Verschleißgrenze abgenutzt sind, müssen sie erneuert werden. Halten Sie die Kohlebürsten stets sauber, damit sie ungehindert in den Haltern gleiten können. Beide Kohlebürsten sollten gleichzeitig erneuert werden. Verwenden Sie nur identische Kohlebürsten.

Drehen Sie die Bürstenhalterkappen mit einem Schraubendreher heraus. Nehmen Sie die abgenutzten Kohlebürsten heraus, setzen Sie die neuen ein, und drehen Sie dann die Bürstenhalterkappen wieder ein.

## Nach dem Gebrauch

- Wischen Sie nach dem Gebrauch an der Maschine haftende Späne und Staub mit einem Tuch oder dergleichen ab. Halten Sie die "Schutzhaube" gemäß den Anweisungen im vorhergehenden Abschnitt "Schutzhaube" sauber. Schmieren Sie die Gleitteile der Maschine mit Öl, um Rostbildung zu verhüten.

Um die SICHERHEIT und ZUVERLÄSSIGKEIT dieses Produkts zu gewährleisten, sollten Reparaturen und andere Wartungs- oder Einstellarbeiten nur von Makita-Vertragswerkstätten oder Makita-Kundendienstzentren unter ausschließlicher Verwendung von Makita-Originalersatzteilen ausgeführt werden.

## ZUBEHÖR

### VORSICHT:

- Die folgenden Zubehörteile oder Vorrichtungen werden für den Einsatz mit der in dieser Anleitung beschriebenen Makita-Maschine empfohlen. Die Verwendung anderer Zubehörteile oder Vorrichtungen kann eine Verletzungsgefahr darstellen. Verwenden Sie Zubehörteile oder Vorrichtungen nur für ihren vorgesehenen Zweck.

Wenn Sie weitere Einzelheiten bezüglich dieser Zubehörteile benötigen, wenden Sie sich bitte an Ihre Makita-Kundendienststelle.

- Stahl- und hartmetallbestückte Sägeblätter
- Auflageplatte
- Schraubstockeinheit (Horizontal-Schraubstock)
- Vertikal-Schraubstock
- Steckschlüssel 13
- Haltersatz
- Auflageverlängerungssatz
- Kippsicherung
- Halteplatte
- Staubsack
- Einstelldreieck
- Sägeblattabdeckung (Schutzhaube C)
- Schiebestock
- Linealeinheit (Parallelanschlag)

## Geräusch- und Vibrationsentwicklung

ENG005-1

Die typischen A-bewerteten Geräuschpegel betragen:

Schalldruckpegel: 92 dB (A)

Schalleistungspegel: 105 dB (A)

– Gehörschutz tragen. –

Der gewichtete Effektivwert der Beschleunigung beträgt nicht mehr als 2,5 m/s<sup>2</sup>.

## CE-KONFORMITÄTSERKLÄRUNG

ENH003-1

Hiermit erklärt wir unter unserer alleinigen Verantwortung, daß dieses Produkt gemäß den Ratsdirektiven 73/23/EWG, 89/336/EWG und 98/37/EG mit den folgenden Normen von Normendokumenten übereinstimmen:

EN61029, EN55014, EN61000.

Das Zertifikat der Angemessenheit der technischen Datei im Hinblick auf 98/37/EG ist von der folgenden bekannt gegebenen Körperschaft erhalten worden: Intertek SEMKO AB, Torshamnsgatan 43, Box 1103, SE-164 22 Kista, Sweden

Yasuhiro Kanzaki **CE2004**



Direktor

## MAKITA INTERNATIONAL EUROPE LTD.

Michigan Drive, Tongwell, Milton Keynes,  
Bucks MK15 8JD, ENGLAND




1 Płyta pomocnicza	32 Obudowa brzeszczotu	63 Zespół uchwytu
2 Śruba sześciokątna	33 Strzałka	64 Pokręto imadła
3 Podstawa	34 Kolnierz zewnętrzny	65 Występ
4 Nakrętka	35 Kolnierz wewnętrzny	66 Walek imadła
5 Śruba	36 Wrzeciono	67 Drażek 12
6 Dolna osłona brzeszczotu A	37 Pierścień	68 Imadło (wyposażenie dodatkowe)
7 Dolna osłona brzeszczotu B	38 Nóż prowadzący	69 Klocek dystansowy
8 Górna osłona brzeszczotu	39 Miejsce, które należy nacisnąć	70 Kształtownik aluminiowy
9 Śruba	40 Szerokość brzeszczotu	71 Płytki ustawiające
10 Uchwyt	41 Uchwyt osłony prowadzącej	72 Mały występ
11 Dźwignia	42 Szyna prowadząca w stole górnym	73 Powierzchnia czotowa/krawędź równoległa
12 Klucz nasadkowy	43 Śruba zaciskowa (A)	74 Wkręt do drewna
13 Śruba regulacyjna	44 Śruba zaciskowa (B)	75 Sklej razem
14 Górna powierzchnia podstawy obrotowej	45 Osłona prowadząca	76 Otwór (średnica 7 mm)
15 Brzeg brzeszczotu	46 Uchwyt osłony prowadzącej	77 Podkładka
16 Osłona prowadnicy	47 Obrabiany element	78 Nakrętka
17 Wskazówka	48 Linia do ustawienia	79 Śruba M6
18 Dźwignia blokady	49 Nakrętka kwadratowa	80 Drażek do popychania
19 Uchwyt	50 Podziałka	81 Osłona pomocnicza
20 Podziałka kąta poziomego	51 Dwie śruby	82 Klocek do popychania
21 Podziałka kąta pionowego	52 Dysza pyłu	83 Ekierka
22 Włącznik	53 Torba na pył	84 Śruba ustawiania 0°
23 Włącznik lampki	54 Usztywnienie	85 Ramię
24 Lampki	55 Zamknięcie	86 Śruba ustawiania kąta pionowego 45°
25 Przetyczka blokady	56 Odkurzacz	87 Znak limitu
26 Śruba zaciskowa	57 Pokrywa brzeszczotu	88 Śrubokręt
27 Stół górny	58 Podpórka	89 Pokrywa pojemnika na szczotki
28 Obudowa silnika	59 Podstawa obrotowa	
29 Pokrywa środkowa	60 Ramię imadła	
30 Blokada wałka	61 Drażek imadła	
31 Brzeszczot	62 Uchwyt	

**DANE TECHNICZNE**

<b>Model</b>	<b>LH1040/LH1040F</b>
Średnica tarczy.....	255 mm — 260 mm
Średnica otworu	
Wszystkie kraje pozaeuropejskie .....	25,4 mm i 25 mm
Kraje europejskie .....	30 mm
Maksymalne zdolności cięcia (wys. x szer.) dla brzeszczotu o średnicy 260 mm w trybie cięcia ukośnego	

Kąt cięcia w pionie	Kąt cięcia w poziomie	
	0°	45°
0°	69 mm x 130 mm 93 mm x 95 mm	w prawo 69 mm x 85 mm, 93 mm x 67 mm w lewo 69 mm x 85 mm, 93 mm x 67 mm
45° (w lewo)	35 mm x 130 mm 53 mm x 95 mm	w prawo 35 mm x 91 mm, 49 mm x 67 mm w lewo 35 mm x 65 mm, 49 mm x 42 mm

Maksymalne zdolności cięcia pod kątem 90° dla cięcia zwykłego (tryb cięcia prostego).....	40 mm
Prędkość bez obciążenia (min <sup>-1</sup> ) .....	4 800
Rozmiar stołu (szer. x wys.) .....	260 mm x 405 mm
Wymiary (dług. x szer. x wys.).....	530 mm x 476 mm x 535 mm
Ciężar netto .....	13,7 kg
Klasa bezpieczeństwa.....	

- Ze względu na ciągle prowadzone prace badawczo-rozwojowe podane tu dane techniczne mogą ulec zmianie bez powiadomienia.
- Uwaga: W różnych krajach parametry techniczne urządzenia mogą różnić się między sobą.

## Przeznaczenie

Urządzenie przeznaczone jest do dokładnego cięcia prostego oraz (tylko w przypadku używania jako piły ukośnicy na dolnym stole) cięcia ukośnego drewna.

## Zasilanie

Urządzenie należy podłączać tylko do źródeł zasilania o napięciu zgodnym z napięciem podanym na tabliczce znamionowej. Można je zasilać wyłącznie jednofazowym prądem zmiennym. Posiada ono podwójną izolację zgodną z Normą Europejską i dlatego może być również podłączane do gniazdek bez uziemienia.

## INSTRUKCJE BEZPIECZEŃSTWA

**Ostrzeżenie! Używając urządzeń elektrycznych podstawowe środki ostrożności muszą być zawsze zachowane, aby zmniejszyć ryzyko ognia, porażenia prądem i uszkodzenia ciała, włączając poniższe. Przeczytaj wszystkie podane instrukcje przed próbą użycia tego produktu i zachowaj je do wglądu.**

### Dla bezpiecznego użycia:

- 1. Utrzymuj miejsce pracy w czystości**  
Zabałaganione miejsca i stoły warsztatowe sprzątaj wypadkom.
- 2. Zastanów się nad warunkami pracy**  
Nie wystawiaj urządzeń elektrycznych na deszcz. Nie używaj urządzeń elektrycznych w wilgotnych lub mokrych miejscach. Utrzymuj miejsce pracy dobrze oświetlone. Nie używaj urządzeń elektrycznych w obecności łatwopalnych płynów lub gazów.
- 3. Chroń się przed porażeniem prądem**  
Zapobiegaj kontaktom ciała z uziemionymi powierzchniami (np. rurami, grzejnikami, kuchenkami, lodówkami).
- 4. Nie pozwalaj zbliżać się dzieciom**  
Nie pozwalaj wizytującym osobom dotykać urządzenia lub przedłużacza. Wszystkie wizytujące osoby nie powinny zbliżać się do miejsca pracy.
- 5. Zachowaj nieczynne urządzenia**  
Nieużywane urządzenia powinny być przechowywane w suchych, wysokich lub zamkniętych miejscach tak, aby były niedostępne dla dzieci.
- 6. Nie przeciążaj urządzenia**  
Wykona ono pracę lepiej i bezpieczniej, pracując w sposób, dla którego zostało ono zaprojektowane.
- 7. Używaj poprawnego urządzenia**  
Nie nadużywaj małych lub dodatkowych urządzeń do wykonania pracy urządzeń do dużej pracy. Nie używaj urządzeń do celów, do których nie zostały przeznaczone; na przykład, nie używaj piły tarczowej do przecinania gałęzi lub kłód drzew.
- 8. Ubierz się odpowiednio**  
Nie noś luźnych ubrań lub biżuterii. Mogą one zostać zahaczone o ruchome części. Gumowe rękawiczki i przeciwpoślizgowe buty są wskazane przy pracy na dworze. Zaleca się noszenie ochrony na głowę przytrzymującej długie włosy.
- 9. Użyj okularów ochronnych i ochraniaczy uszu**  
Użyj masek na twarz lub masek przeciwpyłowych jeżeli czynność cięcia wytwarza pyły.
- 10. Podłącz urządzenie usuwające pył**  
Jeżeli urządzenie posiadają podłączenia do urządzeń do usuwania i składowania pyłu, upewnij się, że są one poprawnie podłączone i użyte.

### 11. Uważaj na przewód sieciowy

Nigdy nie noś urządzenia trzymając za przewód i nie odłączaj go od gniazda przez pociągnięcie przewodu. Chroń przewód przed ciepłem, olejem i ostrymi krawędziami.

### 12. Pewnie mocuj obrabiane elementy

Użyj ścisków lub imadła do zamocowania obrabianych elementów. Jest to bezpieczniejsze niż używanie rąk, a dodatkowo zwalnia obie ręce do obsługi urządzenia.

### 13. Używając urządzenie, nie oddalaj go zbyt blisko siebie

Cały czas trzymaj dobrze ustawione nogi i równowagę.

### 14. Pamiętaj o dobrej konserwacji urządzenia

Utrzymuj urządzenie ostre i czyste dla jego lepszego i bezpieczniejszego działania. Wykonaj podane instrukcje w celu smarowania lub wymiany elementów wyposażenia. Regularnie sprawdzaj przewody urządzenia, i jeżeli są uszkodzone, oddaj je do naprawy do autoryzowanego serwisu. Regularnie sprawdzaj przewody przedłużające i wymień je, jeżeli są uszkodzone. Utrzymuj uchwyty suche, czyste i nie zabrudzone olejem lub smarem.

### 15. Odłącz urządzenie

Przed konserwacją urządzenia lub zmianą wyposażenia takiego jak tarcze, końcówki robocze i noże, gdy nie jest ono używane.

### 16. Wymij klucze regulacyjne

Nabierz zwyczaju sprawdzania czy klucze regulacyjne są usunięte z urządzenia przed jego użyciem.

### 17. Unikaj przypadkowych uruchomień

Nie noś podłączonego urządzenia z palcem na włączniku. Upewnij się, że urządzenie jest wyłączone, gdy je podłączasz do zasilania.

### 18. Zastosuj przedłużacz używając urządzenia na dworze

Gdy urządzenie używane jest na dworze, stosuj tylko przedłużacze przeznaczone i oznaczone do pracy na dworze.

### 19. Bądź uważny

Patrz co robisz. Bądź rozsądny. Nie używaj urządzenia, gdy jesteś zmęczony.

### 20. Sprawdzaj uszkodzone części

Przed dalszym użyciem urządzenia, osłona lub inne części, które są uszkodzone, muszą być uważnie sprawdzone, aby upewnić się, że będą poprawnie działać i wykonywać przeznaczone im funkcje. Sprawdzaj ustawienia ruchomych części, oprawy ruchomych części, pęknięcia części, zamocowania, i jakiegokolwiek inne warunki, które mogą wpływać na działanie. Osłona lub inne części, które są uszkodzone, powinny być naprawione lub wymienione przez autoryzowany serwis, jeżeli w instrukcji nie podano inaczej. Uszkodzone przełączniki powinny być wymienione przez autoryzowany serwis. Nie używaj urządzenia, jeżeli włącznik nie może go włączyć lub wyłączyć.

### 21. Ostrzeżenie

Użycie jakiegokolwiek innego wyposażenia lub części dodatkowych innych niż zalecane w tej instrukcji obsługi lub katalogu, może stworzyć ryzyko uszkodzenia ciała.

22. Naprawy urządzenia powinny być wykonywane tylko przez specjalistę  
To urządzenie jest wykonane zgodnie z odpowiednimi zasadami bezpieczeństwa. Naprawa urządzeń elektrycznych może być wykonana wyłącznie przez specjalistę, gdyż w przeciwnym wypadku może ono stanowić zagrożenie dla użytkownika.

## **DODATKOWE ZALECENIA BEZPIECZEŃSTWA DLA URZĄDZENIA**

### **Tryb ciecicia ukośnego i zwykłego (prostego):**

1. Zakładaj osłonę na oczy i uszy. Należy także zakładać inne odpowiednie wyposażenie ochronne.
2. NIGDY nie zakładaj podczas pracy rękawic, za wyjątkiem wymiany brzeszczotu lub przenoszenie szorstkich przedmiotów przed cięciem.
3. Utrzymuj podłogę pod urządzeniem w porządku i wolną od resztek po cięciu, np. wiórów, kawałków materiału.
4. Nie uruchamiaj urządzenia, jeżeli osłony i nóż prowadzący nie są na swoim miejscu. Przed każdą pracą sprawdź, czy osłony brzeszczotu zamykają się prawidłowo. Nie uruchamiaj urządzenia, jeżeli osłony brzeszczotu nie poruszają się swobodnie i nie zamykają natychmiast. Nigdy nie blokuj ani nie wiąż osłon brzeszczotu w położeniu otwartym. Każda nieprawidłowość w działaniu powinna być natychmiast usunięta.
5. Oczywiście, uważając, aby nie uszkodzić, wrzuciono, kołnierzy (zwłaszcza powierzchnię do zakładania) i śrubę sześciokątną przed lub w trakcie zakładania brzeszczotu. Uszkodzenie tych części może doprowadzić do pęknięcia brzeszczotu. Złe zamocowanie może spowodować drgania/chybotanie lub przemieszczanie się brzeszczotu. Używaj wyłącznie kołnierzy przeznaczonych dla tego urządzenia.
6. Przed przystąpieniem do pracy sprawdź dokładnie, czy brzeszczot nie jest popękany lub uszkodzony. Nie używaj brzeszczotów, które są uszkodzone lub wypaczone.
7. Używaj wyłącznie brzeszczotów zalecanych przez producenta i zgodnych z EN847-1 oraz zwróć uwagę, że nóż prowadzący nie może być szerszy niż szerokość cięcia brzeszczotu i węższy niż sam brzeszczot.
8. Używaj wyłącznie wyposażenia zalecanego w niniejszej instrukcji obsługi. Korzystanie z nieprawidłowego wyposażenia, np. ściernych tarcz tnących, może spowodować obrażenia.
9. Wybierz właściwy brzeszczot w zależności od przecinanego materiału.
10. Nie używaj brzeszczotów wykonanych ze stali szybko tnącej.
11. Aby ograniczyć hałas, zawsze dbaj, aby brzeszczot był ostry i czysty.
12. Używaj właściwie naostrzonych brzeszczotów. Stosuj się do maksymalnej prędkości podanej na brzeszczocie.

13. Nie przecinaj metalu, np. gwoździ i śrub. Przed przystąpieniem do cięcia sprawdź przecinany przedmiot i wyjmij wszystkie gwoździe, śruby i inne ciała obce.
14. Wyjmij z przecinanego przedmiotu wszystkie luźne śęki PRZED rozpoczęciem cięcia.
15. Nie używaj piły w obecności palnych płynów i gazów.
16. Dla bezpieczeństwa, przed podłączeniem urządzenia do zasilania i rozpoczęciem pracy usuń wszystkie wióry, kawałki materiału itp. z miejsca pracy i powierzchni stołu górnego.
17. Operator powinien być właściwie przeszkolony w zakresie korzystania, regulacji i obsługi urządzenia.
18. Ręce i ciało operatora oraz innych osób znajdujących się w pobliżu nie powinno znajdować się na linii brzeszczotu. Unikaj kontaktu z ciągle obracającym się brzeszczotem i nie sięgaj w jego pobliże. Może on ciągle spowodować poważne obrażenia.
19. Zachowaj ciągłą uwagę, zwłaszcza podczas wielokrotnych, monottonnych operacji. Nie daj się zwieść fałszywemu poczuciu bezpieczeństwa. Brzeszczot jest bardzo niebezpieczny.
20. Przed włączeniem włącznika upewnij się, czy blokada wałka jest zwolniona.
21. Przed właściwym przecinaniem pozwól urządzeniu popracować przez chwilę. Zwróć uwagę na drgania i chybotanie, które mogą wskazywać na źle założony lub wyważony brzeszczot.
22. Przed cięciem zaczekaj, aż brzeszczot osiągnie pełną prędkość.
23. Urządzenia nie należy używać do wycinania szelini, złobkowania ani wycinania bruzd.
24. Zaczekaj z usuwaniem wszelkich odciętych kawałków i innych części z miejsca cięcia, kiedy urządzenie ciągle pracuje i głowica piły nie jest w położeniu spoczynkowym.
25. Jeżeli zauważysz cokolwiek nienormalnego, przerwij natychmiast pracę.
26. Przed wyjęciem przecinanego przedmiotu lub zmianą ustawienia wyłącz urządzenie i zaczekaj, aż brzeszczot zatrzyma się.
27. Przed wymianą brzeszczotu, obsługą lub kiedy go nie używasz, odłącz urządzenie od zasilania.
28. Niektóre pyły powstające podczas cięcia zawierają substancje mogące powodować raka, wady u płodu i inne zaburzenia rozrodczości. Przykładami takich substancji są:
  - ołów z materiałów pomalowanych farbami na bazie związków ołowiu,
  - arsen i chrom z chemicznie impregnowanego drewna.Zagrożenie tymi substancjami różni się w zależności od częstotliwości wykonywania pracy. Aby ograniczyć narażenie na te substancje, pracuj w dobrze wietrzonym miejscu i używaj zatwierdzonego wyposażenia ochronnego, np. masek przeciwpyłowych zaprojektowanych specjalnie do wychwytywania mikroskopijnych cząstekek.
29. Podczas cięcia podłącz urządzenie do innego urządzenia pochłaniającego pył.

### Podczas pracy w trybie cięcia ukośnego:

30. Nie używaj piły do cięcia materiałów innych niż drewno, aluminium i podobnych.
31. Nie tnij, trzymając przecinany przedmiot tylko rękoma, jeżeli mają się one znajdować w pobliżu brzeszczotu. Przecinany przedmiot musi być dobrze oparty o podstawę obrotową i osłonę przewodniczą podczas wszelkich prac.
32. Upewnij się, czy podstawa obrotowa jest dobrze zamocowana, aby nie przesuwała się podczas pracy.
33. Upewnij się, czy ramię jest dobrze zamocowane podczas pochylania. Aby zamocować ramię, zakręć dźwignię zgodnie z ruchem wskazówek zegara.
34. Upewnij się, czy brzeszczot nie dotyka podstawy obrotowej, kiedy znajduje się on w najniższym położeniu, i nie dotyka przecinanego przedmiotu przed włączeniem włącznika.
35. Trzymaj uchwyt pewnie. Pamiętaj, że piła porusza się lekko w górę lub w dół podczas rozpoczynania i kończenia cięcia.
36. Kiedy piła z nacięciem zużyje się, wymień ją.

### Podczas pracy w trybie cięcia zwykłego (prostego):

37. Nie wykonuj żadnych operacji trzymając przecinany przedmiot w rękach. Trzymanie w rękach oznacza podtrzymywanie i prowadzenie przecinanego przedmiotu zamiast korzystania z osłony prowadzącej.
38. Upewnij się, czy ramię jest pewnie zamocowane w położeniu pracy. Zakręć dźwignię zgodnie z ruchem wskazówek zegara, aby zamocować ramię.
39. Aby uniknąć zbliżania rąk i palców do brzeszczotu używaj drążka lub klocka do popychania.
40. Upewnij się, czy stół piły warsztatowej jest pewnie zamocowany na żądanej wysokości.
41. Upewnij się, czy brzeszczot nie dotyka noża prowadzącego ani przecinanego przedmiotu przed włączeniem włącznika.
42. Zawsze kiedy nie używasz drążka do popychania, schowaj go.
43. Zwróć szczególną uwagę na zalecenia dotyczące ograniczenia niebezpieczeństwa **ODSKOCZENIA DO TYŁU**. **ODSKOCZENIE DO TYŁU** jest nagłą reakcją na zakleszczenie, zablokowanie lub złe ustawianie brzeszczotu. **ODSKOCZENIE DO TYŁU** oznacza wyrzucenie przecinanego przedmiotu przez urządzenie do tyłu, w stronę operatora. **ODSKOCZENIE DO TYŁU MOŻE DOPROWADZIĆ DO POWAŻNYCH OBRAŻEŃ**. Unikaj **ODSKOCZENIA DO TYŁU** używając ostrego brzeszczotu, trzymając osłonę przewodniczą równoległe z brzeszczotem, trzymając nóż prowadzący i osłonę brzeszczotu we właściwym miejscu i zapewniając ich właściwą pracę, nie zwalniając przecinanego przedmiotu, aż przejdzie on całkowicie przez brzeszczot oraz nie tnąc przedmiotów skrzyżowanych lub wypaczonych, albo nie mających równych brzegów umożliwiających przesuwanie ich wzdłuż przewodniczą.

44. Unikaj gwałtownego, szybkiego ciecia. Podczas cięcia twardych przedmiotów tnij najwolniej jak to możliwe. Nie zginaj ani nie skręcaj przecinanego przedmiotu podczas cięcia. Jeżeli brzeszczot zaklinuje się i zatrzyma w przecinanym przedmiocie, wyłącz natychmiast urządzenie. Odłącz urządzenie od zasilania. Następnie odblokuj brzeszczot.

## NIE WYRZUCAJ INSTRUKCJI OBSŁUGI.

### USTAWIANIE

#### OSTRZEŻENIE:

- Utrzymuj podłogę pod urządzeniem w porządku i wolną od resztek po cięciu, np. wiórów, kawałków materiału.

#### Zakładanie płyty pomocniczej (Rys. 1 i 2)

Założ płytę pomocniczą korzystając z nacięcia w podstawie urządzenia i zamocuj ją zakręcając śrubę sześciokątną.

#### Mocowanie do stołu warsztatowego (Rys. 3)

Urządzenie powinno być przykręcone do równej i stabilnej powierzchni dwiema śrubami, korzystając z otworów na śruby w podstawie urządzenia. Pozwala to uniknąć przewrócenia się urządzenia i możliwych obrażeń.

### OPIS DZIAŁANIA

#### UWAGA:

- Przed regulacją i sprawdzaniem działania urządzenia zawsze upewnij się, czy jest ono wyłączone i odłączone od zasilania.

#### Oslona brzeszczotu (Rys. 4 i 5)

#### UWAGA:

- Upewnij się, czy uchwyt nie może być obniżony bez naciśnięcia w lewo dźwigni znajdującej się w jego pobliżu.
- Upewnij się, czy dolne osłony brzeszczotu A i B nie otwierają się, chyba że dźwignia znajdująca się w pobliżu uchwytu zostanie naciśnięta, kiedy uchwyt znajduje się w najwyższym położeniu.

Podczas obniżania uchwytu, przy jednoczesnym naciskaniu dźwigni w lewo, dolna osłona brzeszczotu A podnosi się automatycznie. Dolna osłona brzeszczotu B podnosi się po zetknięciu z przecinanym przedmiotem. Dolne osłony brzeszczotu są połączone ze sprężyną, dlatego wracają do pierwotnego położenia po zakończeniu cięcia i podniesieniu uchwytu. Górna osłona brzeszczotu opada płasko na powierzchnię stołu po przejściu pod nią przecinanego przedmiotu. **NIGDY NIE BLOKUJ PRACY ANI NIE ZDEJMUJ DOLNYCH OSŁON BRZESZCZOTU, SPRĘŻYNY DOŁĄCZONEJ DO DOLNEJ OSŁONY BRZESZCZOTU ANI GÓRNEJ OSŁONY BRZESZCZOTU.**

W interesie własnego bezpieczeństwa zawsze utrzymuj wszystkie osłony brzeszczotu w dobrym stanie. Każde nieprawidłowe ich działanie należy natychmiast skorygować. Sprawdź prawidłowy powrót dolnych osłon brzeszczotu na skutek działania sprężyny. **NIGDY NIE UŻYWAJ URZĄDZENIA, JEŻELI DOLNA OSŁONA BRZESZCZOTU, SPRĘŻYNA LUB GÓRNA OSŁONA BRZESZCZOTU SĄ USZKODZONE, WADLIWE LUB ZDJĘTE. TAKIE POSTĘPOWANIE JEST BARDZO NIEBEZPIECZNE I MOŻE DOPROWADZIĆ DO POWAŻNYCH OBRAŻEŃ.**

Jeżeli którakolwiek z przezroczystych osłon brzeszczotu zabrudzi się lub przylgnie do niej pył po cięciu, tak że nie będzie można łatwo obserwować brzeszczotu, odłącz piłę od zasilania i wytrzyj osłonę dokładnie mokrą ścierką. Nie używaj rozpuszczalników ani płynów czyszczących na bazie ropy naftowej do czyszczenia plastikowej osłony.

Jeżeli dolna osłona brzeszczotu A będzie bardzo brudna i widoczność przez nią będzie ograniczona, wykonaj, co następuje. Zablokuj stół górny w najwyższym położeniu, podnieś całkowicie uchwyt, wciśnij do końca przetyczkę blokady, kiedy uchwyt będzie podniesiony do końca, i odkręć dołączonym kluczem nasadkowym śrubę sześciokątną mocującą pokrywę środkową. Odkręć śrubę sześciokątną przeciwnie do ruchu wskazówek zegara i podnieś dolną osłonę brzeszczotu A i pokrywę środkową, naciskając jednocześnie dźwignię w lewo. Trzymając dolną osłonę brzeszczotu A w tym położeniu można czyścić łatwiej i dokładniej. Po zakończeniu czyszczenia wykonaj powyższe czynności w odwrotnej kolejności i zakręć śrubę.

Jeżeli chcesz wyczyścić dokładnie górną osłonę brzeszczotu, odkręć śrubokrętem mocującą ją śrubę i zdejmij osłonę. Po wyczyszczeniu zawsze zamocuj ją starannie z powrotem, zakręcając śrubę na tyle, aby osłona przesuwiała się płynnie w górę i w dół.

Jeżeli którakolwiek z osłon brzeszczotu odbarwi się na skutek starzenia lub promieni UV, zwróć się po nową osłonę do punktu usługowego Makita. NIE BLOKUJ ANI NIE ZDEJMUJ OSŁON.

### **Zapewnienie maksymalnej zdolności cięcia (Rys. 6 i 7)**

Urządzenie jest fabrycznie ustawione, aby dawało maksymalną zdolność cięcia dla brzeszczotu o średnicy 260 mm.

W przypadku zakładania nowego brzeszczotu zawsze sprawdź, najniższe położenie brzeszczotu i, jeżeli będzie to konieczne, ustaw je w następujący sposób:

UWAGA:

- Podczas wykonywania tej regulacji ustaw stół górny w najniższym położeniu po odłączeniu urządzenia od zasilania.

Najpierw odłącz urządzenie od zasilania. Ustaw stół górny w najniższym położeniu. Obniż całkowicie uchwyt. Obracaj kluczem nasadkowym śrubę regulacyjną znajdującą się pod największym otworem w stole górnym, aż brzeg brzeszczotu wychyli się nieznacznie pod powierzchnię górną podstawy obrotowej w miejscu, gdzie przednia powierzchnia osłony przewodnicy styka się z górną powierzchnią podstawy obrotowej.

Kiedy urządzenie jest odłączone od zasilania, obróć ręką brzeszczot, przesuwając jednocześnie uchwyt do końca w dół, aby upewnić się, czy brzeszczot nie dotyka żadnej części podstawy dolnej. Wykonaj drobną korektę, jeżeli będzie to konieczne.

UWAGA:

- Po założeniu nowego brzeszczotu zawsze upewnij się, czy nie dotyka on żadnej części podstawy dolnej, kiedy uchwyt jest całkowicie obniżony. Zawsze rób to, kiedy urządzenie jest odłączone od zasilania.

### **Ustawianie kąta poziomego (Rys. 8)**

Odkręć uchwyt, obracając go przeciwnie do ruchu wskazówek zegara. Obróć podstawę obrotową, naciskając jednocześnie dźwignię blokady. Po przesunięciu uchwytu do położenia, w którym wskazówka pokazuje żądany kąt na podziałce kąta poziomego, zakręć uchwyt mocno zgodnie z ruchem wskazówek zegara.

UWAGA:

- Podczas obracania podstawy obrotowej koniecznie podnieś całkowicie uchwyt.
- Po zmianie kąta poziomego zawsze zamocuj podstawę obrotową zakręcając mocno uchwyt.

### **Ustawianie kąta pionowego (Rys. 9 i 10)**

Aby ustawić kąt pionowy, odkręć dźwignię z tyłu urządzenia przeciwnie do ruchu wskazówek zegara. Popchnij uchwyt w lewo, aby pochylić brzeszczot, aż wskazówka pokaże żądany kąt na podziałce kąta pionowego. Następnie zakręć dźwignię zgodnie z ruchem wskazówek zegara, aby zamocować ramię.

UWAGA:

- Podczas pochylania brzeszczotu koniecznie podnieś całkowicie uchwyt.
- Po zmianie kąta pionowego zawsze zamocuj ramię, zakręcając dźwignię zgodnie z ruchem wskazówek zegara.

### **Działanie włącznika (Rys. 11)**

UWAGA:

- Przed przystąpieniem do pracy sprawdź czy urządzenie można włączyć i wyłączyć.

Aby włączyć urządzenie, naciśnij przycisk ON ( I ). Aby je wyłączyć, naciśnij przycisk OFF ( O ).

### **Zapalanie lampek (Rys. 11 i 12)**

#### **Tylko model LH1040F**

Aby zapalić lampkę, naciśnij górną część włącznika, a aby ją zgasić, dolną część włącznika.

UWAGA:

- Nie wolno zaglądać do lampki lub kierować wzroku bezpośrednio na źródło światła.

WYJAŚNIENIE:

- Do wycierania brudu z soczewki lampki używaj suchej szmatki. Uważaj, aby nie porysować soczewki lampki, bo może to pogorszyć oświetlenie.

### **Ustawianie wysokości stołu górnego (Rys. 13)**

Aby ustawić wysokość stołu górnego, odkręć przeciwnie do ruchu wskazówek zegara dwie dźwignie, a następnie podnieś lub obniż stół górny. Po ustawieniu zakręć mocno dźwignie.

OSTRZEŻENIE:

- Podczas używania urządzenia w trybie cięcia ukośnego ustaw stół górny w najwyższym położeniu, a podczas używania w trybie cięcia zwykłego (prostego) w żądanym położeniu.

## SKŁADANIE

### UWAGA:

- Przed wykonywaniem jakiegokolwiek pracy nad urządzeniem zawsze upewnij się, czy jest ono wyłączone i odłączone od zasilania.

### Zakładanie lub zdejmowanie brzeszczotu

### UWAGA:

- Przed zakładaniem lub zdejmowaniem brzeszczotu zawsze upewnij się, czy urządzenie jest wyłączone i odłączone od zasilania.
- Do zakładania i zdejmowania brzeszczotu używaj wyłącznie dołączonego klucza nasadkowego Makita. Niestosowanie się do tego zalecenia może doprowadzić do zbyt silnego lub zbyt słabego dokręcenia śruby sześciokątnej. Może to spowodować wypadek.

Zamocuj stół górny w skrajnym górnym położeniu.

Zablokuj uchwyt w położeniu górnym, naciskając przetyczkę blokady. **(Rys. 14)**

Aby zdjąć brzeszczot, najpierw odkręć śrubę zaciskową, aby dolna osłona brzeszczotu B obniżyła się jak pokazano na rysunku. **(Rys. 15)**

Następnie odkręć przeciwnie do ruchu wskazówek zegara, kluczem nasadkowym śrubę sześciokątną mocującą pokrywę środkową. Podnieś dolną osłonę brzeszczotu A i pokrywę środkową, naciskając jednocześnie w lewo dźwignię znajdującą się w pobliżu uchwytu. **(Rys. 16)**

Naciśnij blokadę wałka, aby zablokować wrzeciono, i odkręć kluczem nasadkowym, zgodnie z ruchem wskazówek zegara śrubę sześciokątną. Następnie wyjmij śrubę sześciokątną, kołnierz zewnętrzny i brzeszczot. **(Rys. 17)**

Aby założyć brzeszczot, natóż go ostrożnie na wrzeciono, upewniając się, czy kierunek pokazywany przez strzałkę na powierzchni brzeszczotu zgadza się z kierunkiem pokazywanym przez strzałkę na obudowie brzeszczotu. Załóż kołnierz zewnętrzny i śrubę sześciokątną, a następnie zakręć pewnie, kluczem nasadkowym, przeciwnie do ruchu wskazówek zegara śrubę sześciokątną (z gwintem lewoskrętnym), naciskając jednocześnie blokadę wałka. **(Rys. 18 i 19)**

### WYJAŚNIENIE:

- Podczas zakładania brzeszczotu koniecznie włóż go najpierw od zewnątrz osłony brzeszczotu B, a następnie podnieś go, aby znalazł się on w końcu w osłonie brzeszczotu B.

### Wszystkie kraje pozaeuropejskie

### UWAGA:

- Srebrny pierścień o średnicy zewnętrznej 25,4 mm jest fabrycznie założony na wrzeciono. Czarny pierścień o średnicy zewnętrznej 25 mm jest dołączony jako wyposażenie standardowe. Przed założeniem brzeszczotu na wrzeciono, zawsze sprawdź, czy na wrzeciono założony jest właściwy pierścień pasujący do otworu montażowego brzeszczotu. **(Rys. 20)**

### Kraje europejskie

### UWAGA:

- Pierścień o średnicy zewnętrznej 30 mm jest fabrycznie założony pomiędzy kołnierzem wewnętrznym i zewnętrznym. **(Rys. 20)**

Zamocuj dolną osłonę brzeszczotu A i pokrywę środkową w pierwotnym położeniu. Następnie zakręć zgodnie z ruchem wskazówek zegara śrubę sześciokątną, aby zamocować pokrywę środkową. Podnieś osłonę brzeszczotu B najwyżej jak to będzie możliwe i zakręć mocno śrubę zaciskową, trzymając osłonę u góry. Obniż uchwyt, aby upewnić się, czy dolne osłony brzeszczotu poruszają się prawidłowo. Przed cięciem upewnij się, czy blokada wałka zwolniła wrzeciono.

### Ustawianie noża prowadzącego

Przed ustawianiem noża prowadzącego, odkręć przeciwnie do ruchu wskazówek zegara dwie dźwignie i naciśnij stół górny po prawej stronie, w pobliżu noża prowadzącego, aby go obniżyć. Następnie zablokuj stół górny, zakręcając z powrotem dwie dźwignie w sposób pokazany na rysunku. **(Rys. 21)**

Pomiędzy nożem prowadzącym a zębami brzeszczotu musi znajdować się około 4 – 5 mm wolnej przestrzeni. Ustaw odpowiednio nóż prowadzący, odkręcając kluczem nasadkowym, przeciwnie do ruchu wskazówek zegara dwie śruby sześciokątne i mierząc odległość. Zakręć mocno śruby sześciokątne, a następnie sprawdź przed cięciem, czy górna osłona brzeszczotu przesuwają się płynnie. **(Rys. 22)**

Nóż prowadzący został założony fabrycznie tak, że znajduje się on w jednej linii prostej z brzeszczotem. **(Rys. 23)**

### UWAGA:

- Jeżeli brzeszczot i nóż prowadzący nie są prawidłowo ustawione w jednej linii, podczas pracy może dojść do niebezpiecznego zakleszczenia. Upewnij się, czy są one prawidłowo ustawione. Korzystanie z urządzenia z nieprawidłowo ustawionym nożem prowadzącym może doprowadzić do poważnych obrażeń. Jeżeli z jakiegos powodu nie jest on prawidłowo ustawiony, zawsze usuń tę usterkę w autoryzowanym punkcie usługowym Makita.

### Zakładanie i ustawianie osłony prowadzącej

1. Załóż osłonę prowadzącą na stole, aby jej uchwyt wszedł w szynę prowadzącą. Zakręć mocno, zgodnie z ruchem wskazówek zegara śrubę zaciskową (B) osłony prowadzącej.
2. Odkręć śrubę zaciskową (A).
3. Przesuń osłonę prowadzącą i zamocuj ją tak, aby dalszy koniec znajdował się naprzeciwko punktu, gdzie przedni brzeg brzeszczotu wychyla się poza górną powierzchnię przecinanego przedmiotu. Celem tej regulacji jest ograniczenie niebezpieczeństwa odskoczenia do tyłu, w kierunku operatora odciętego kawałka materiału, który może zostać zakleszczony pomiędzy brzeszczotem a osłoną prowadzącą i odrzucony w stronę operatora. Linia 3 ma różną grubość w zależności od grubości przecinanego przedmiotu i wysokości stołu. Ustaw położenie osłony prowadzącej z zależności od grubości przecinanego przedmiotu. Po ustawieniu osłony prowadzącej zakręć mocno śrubę zaciskową (A). **(Rys. 24 i 25)**

## WYJAŚNIENIE:

- Istnieją cztery sposoby ustawienia osłony prowadzącej, pokazane na rysunku. **(Rys. 26)** Osłona prowadząca posiada dwie szczeliny na swoich bokach: jedną szczelinę po tej samej stronie co podwyższony brzeg i drugą po drugiej stronie. Używaj powierzchni osłony prowadzącej z tym brzegiem zwróconym w kierunku przecinanego przedmiotu tylko podczas cięcia cienkich przedmiotów.
- Aby zmienić ustawienie osłony prowadzącej, wyjmij osłonę prowadzącą z jej uchwytu, odkręcając śrubę zaciskową (A), i obróć stronę osłony zwróconą ku uchwytowi, aby osłona była zwrócona ku uchwytowi w sposób właściwy dla wykonywanej pracy, pokazany na rysunku. Włóż nakrętkę kwadratową uchwytu osłony prowadzącej z tyłu jednej ze szczelin osłony prowadzącej i dopasuj w sposób pokazany na rysunku.

Aby zmienić ustawienie z A lub B na C lub D lub odwrotnie, zdejmij nakrętkę kwadratową, podkładkę i śrubę zaciskową (A) z uchwytu osłony prowadzącej, a następnie ustaw śrubę zaciskową (A), podkładkę i nakrętkę kwadratową po drugiej stronie uchwytu osłony prowadzącej. Zakręć mocno śrubę zaciskową (A) po włożeniu nakrętki kwadratowej uchwytu osłony prowadzącej do szczeliny w osłonie prowadzącej. Włóż nakrętkę kwadratową uchwytu osłony prowadzącej z tyłu jednej ze szczelin osłony prowadzącej i dopasuj w sposób pokazany na rysunku. **(Rys. 27)**

Osłona prowadząca jest fabrycznie ustawiona tak, aby była równoległa do powierzchni brzeszczotu. Upewnij się, czy jest rzeczywiście równoległa. Sprawdzanie, czy osłona prowadząca jest równoległa do powierzchni brzeszczotu. Obniż całkowicie stół, aby brzeszczot wystawał ponad niego jak najbardziej. Zaznacz jeden z zębów brzeszczotu kredką świecową. Zmierz odległość (A) i (B) pomiędzy osłoną prowadzącą a brzeszczotem. Pomiar wykonaj dla brzeszczotu zaznaczonego kredką. **(Rys. 28)** Oba pomiary powinny być jednakowe. Jeżeli osłona prowadząca nie będzie równoległa do brzeszczotu, wykonaj, co następuje. **(Rys. 29)**

- Obróć dwie śruby regulacyjne przeciwnie do ruchu wskazówek zegara.
- Przesuń tylny brzeg osłony prowadzącej nieco w prawo lub w lewo, aż będzie on równoległy z brzeszczotem.
- Zakręć mocno dwie śruby na osłonie prowadzącej.

## UWAGA:

- Koniecznym jest ustawić osłonę prowadzącą, aby była ona równoległa z brzeszczotem, w przeciwnym razie może dojść do niebezpiecznego odskoczenia przecinanego przedmiotu do tyłu.
- Koniecznym jest ustawić osłonę prowadzącą tak, aby nie dotykała ona górnej osłony brzeszczotu ani brzeszczotu. **(Rys. 30)**

## Torba na pył

Używanie torby na pył zapewnia czystsze cięcie i łatwiejsze zbieranie pyłu. Aby założyć torbę na pył, nałóż ją na dyszę pyłu. **(Rys. 31)**

## WYJAŚNIENIE:

- W trybie cięcia ukośnego zawsze zakładaj torbę na pył na tylną dyszę pyłu.

Kiedy torba na pył wypełni się w przybliżeniu do połowy, zdejmij ją z urządzenia i wyciągnij usztywnienie. Opróżnij torbę na pył z zawartości, opukując lekko, aby usunąć cząstki przylegające do wewnętrznych powierzchni, które mogłyby utrudniać dalsze zbieranie pyłu. **(Rys. 32)** Można wykonywać jeszcze wydajniejsze i czystsze cięcie, jeżeli do piły podłączy się odkurzacz.

Aby zamontować pokrywę brzeszczotu podczas pracy w trybie cięcia zwykłego (prostego), obróć podstawę obrotową do pozycji kąta poziomego 0° (patrz rozdział zatytułowany „Ustawianie kąta poziomego”) i ustaw pokrywę brzeszczotu w taki sposób na stole obrotowym, aby była ona wypośrodkowana nad szczeliną wejścia brzeszczotu w stole obrotowym, a następnie zablokuj uchwyt w skrajnym dolnym położeniu, wciskając do oporu przetyczkę blokady w sposób pokazany na rysunku. **(Rys. 33)**

## WYJAŚNIENIE:

- Aby założyć torbę na pył na przednią dyszę pyłu w trybie cięcia zwykłego (prostego), najpierw zdejmij zamknięcie z przedniej dyszy pyłu, a następnie załóż na nią torbę na pył.
- Kiedy torba na pył nie jest założona, zawsze nałóż zamknięcie przedniej dyszy pyłu. Niestosowanie się do tego zalecenia prowadzi do wyrzucania pyłu z dyszy.
- W przypadku korzystania z urządzenia w trybie cięcia zwykłego (prostego) upewnij się, czy na stole obrotowym założona jest osłona brzeszczotu.

## Mocowanie przecinanych przedmiotów

Kiedy tylko jest to możliwe, mocuj przecinane przedmioty w dodatkowym imadle. Jeżeli musisz trzymać przecinany przedmiot w ręce, należy to robić pewnie i bezpiecznie, aby nie utracić panowania nad nim. Dłonie i ramiona muszą znajdować się z dala od brzeszczotu (minimum 100 mm). Dociśnij mocno przecinany przedmiot do osłony prowadzącej, trzymając palce na górze osłony prowadzącej. Przecinany przedmiot musi również spoczywać pewnie na podstawie obrotowej.

## OSTRZEŻENIE:

- Nigdy nie używaj rąk do przytrzymywania przecinanego przedmiotu, jeżeli ręce miałyby się znaleźć bliżej niż 100 mm od brzeszczotu. W takim przypadku zawsze mocuj przecinany przedmiot w dodatkowym imadle. Po każdym cięciu podnoś brzeszczot delikatnie. Nigdy nie podnoś brzeszczotu, jeżeli nie zatrzymał się on całkowicie. Może to doprowadzić do poważnych obrażeń.

## UWAGA:

- Podczas cięcia długich przedmiotów korzystaj z podpórek o wysokości górnej powierzchni podstawy obrotowej. Nie polegaj wyłącznie na imadle pionowym lub poziomym (oba są wyposażeniem dodatkowym) do zamocowania przecinanego przedmiotu. **(Rys. 34)** Cienkie przecinane przedmioty mają tendencję do uginania się. Podeprzyj je na całej długości, aby uniknąć zakleszczenia brzeszczotu i ODSKOCZENIA DO TYŁU przecinanego przedmiotu.

## **Imadło pionowe (wyposażenie dodatkowe)**

### **(Rys. 35)**

Imadło pionowe można założyć w dwóch położeniach, po lewej lub prawej stronie osłony przewodnicy lub zespołu uchwytu (wyposażenie dodatkowe). Włóż drążek imadła do otworu w osłonie przewodnicy lub zespole uchwytu i zakręć śrubę, aby zamocować drążek imadła.

Ustaw ramię imadła zależnie od grubości i kształtu przecinanego przedmiotu i zamocuj ramię imadła zakręcając śrubę. Jeżeli śruba mocująca ramię imadła styka się z osłoną przewodnicy, załóż śrubę po przeciwnej stronie ramienia imadła. Upewnij się, czy żadna część urządzenia nie styka się z imadłem podczas obniżania do końca uchwytu. Jeżeli jakieś części stykają się z imadłem, ustaw ponownie imadło.

Dociśnij przecinany przedmiot płasko do osłony przewodnicy i podstawy obrotowej. Ustaw przecinany przedmiot w żądanym położeniu do cięcia i zamocuj go pewnie zakręcając pokrętło imadła.

### **UWAGA:**

- Przecinany przedmiot musi być pewnie zamocowany o podstawę obrotową i osłonę przewodnicy.

## **Imadło poziome (wyposażenie dodatkowe)**

### **(Rys. 36)**

Imadło poziome można założyć po lewej lub prawej stronie podstawy. Podczas wykonywania cięć po kątem poziomym 15° lub większym, załóż imadło poziome po stronie przeciwnej do tej, w którą trzeba obrócić podstawę obrotową. Obracając pokrętło imadła przeciwnie do ruchu wskazówek zegara zwalnia się śrubę i można szybko przesunąć imadło do środka i na zewnątrz. Podczas obracania pokrętła imadła zgodnie z ruchem wskazówek zegara śruba pozostaje zakręcona. Aby zamocować przecinany przedmiot, obróć lekko pokrętło imadła zgodnie z ruchem wskazówek zegara, aż występ znajdzie się w najwyższym położeniu, a następnie zakręć mocno. Jeżeli pokrętło imadła będzie wciskane do środka lub ciągnięte na zewnątrz podczas obracania zgodnie z ruchem wskazówek zegara, występ może zatrzymać się do kątem. W takim przypadku, zanim obrócisz pokrętło imadła lekko zgodnie z ruchem wskazówek zegara, obróć je z powrotem przeciwnie do ruchu wskazówek zegara, aż śruba zostanie zwolniona. Maksymalna szerokość przecinanego przedmiotu, który można zamocować w imadle poziomym wynosi 130 mm.

## **Zaciski i zespół zacisku (wyposażenie dodatkowe)**

Zaciski i zespół zacisku można założyć po dowolnej stronie, jako wygodny sposób poziomego podparcia przecinanych przedmiotów. Załóż je w sposób pokazany na rysunku. Następnie zakręć pewnie śruby, aby zamocować zacisku i zespół zaciski. **(Rys. 37)**

Podczas cięcia długich przedmiotów korzystaj z zespołu zacisku i drążków (wyposażenie dodatkowe). Składa się on dwóch zespołów zacisku i dwóch drążków 12.

### **(Rys. 38)**

### **UWAGA:**

- Zawsze podpieraj długie przecinane przedmioty równo z górną powierzchnią podstawy obrotowej, aby uzyskać dokładne cięcie i zapobiec niebezpiecznej utracie panowania nad urządzeniem.

## **POSTĘPOWANIE**

### **UWAGA:**

- Przed przystąpieniem do pracy koniecznie zwolnij uchwyt z położenia dolnego, wyciągając przetyczkę blokady.
- Przed włączeniem urządzenia upewnij się, czy brzeszczot nie dotyka przecinanego przedmiotu itd.

## **CIECIE UKOŚNE**

### **OSTRZEŻENIE:**

- Podczas używania urządzenia w trybie cięcia ukośnego zamocuj stół górny w najwyższym położeniu, aby brzeszczot nie wystawał nigdy ponad górną powierzchnię stołu górnego.

### **UWAGA:**

- Nie naciskaj zbyt silnie na uchwyt podczas cięcia. Zbyt duży nacisk może spowodować przeciążenie silnika i zmniejszenie wydajności cięcia. Naciskaj w dół uchwyt tylko z taką siłą, jaka jest wymagana do płynnego cięcia bez wyraźnego zmniejszenia prędkości brzeszczotu.
- Naciśnij delikatnie na uchwyt, aby wykonać cięcie. Jeżeli uchwyt zostanie naciśnięty silnie lub przyłożona zostanie siła poprzeczna, brzeszczot może zacząć drgać i pozostawić znak (nacięcie) w przecinany przedmiocie, a dokładność cięcia zostać ograniczona.

### **1. Cięcie z naciskiem (Rys. 39)**

Zamocuj przecinany przedmiot o osłonę przewodnicy i podstawę obrotową.

Włącz urządzenie, nie dotykając brzeszczotem przecinanego przedmiotu, i zaczekaj, aż brzeszczot osiągnie pełną prędkość przed obniżeniem go. Następnie obniż powoli uchwyt do końca, aby przeciąć przedmiot. Po zakończeniu cięcia wyłącz urządzenie i **ZACZEKAJ, AŻ BRZESZCZOT ZATRZYMA SIĘ CAŁKOWICIE**, przed podniesieniem go do końca do góry.

### **2. Cięcie pod kątem poziomym**

Zapoznaj się z wcześniejszym rozdziałem „Ustawianie kąta poziomego”.

### **3. Cięcie pod kątem pionowym (Rys. 40)**

Odkręć dźwignię i pochyl brzeszczot, aby ustawić kąt pionowy (Zapoznaj się z wcześniejszym rozdziałem „Ustawianie kąta pionowego”). Koniecznie zakręć z powrotem mocno dźwignię, aby zabezpieczyć pewnie ustawiony kąt pionowy. Zamocuj przecinany przedmiot o osłonę przewodnicy i podstawę obrotową. Upewnij się, czy wózek jest przyciągnięty do końca do ciebie. Włącz urządzenie, nie dotykając brzeszczotem przecinanego przedmiotu, i zaczekaj, aż brzeszczot osiągnie pełną prędkość. Następnie powoli obniż uchwyt do końca, naciskając równoległe do brzeszczotu. Po zakończeniu cięcia wyłącz urządzenie i **ZACZEKAJ, AŻ BRZESZCZOT ZATRZYMA SIĘ CAŁKOWICIE**, przed podniesieniem go całkowicie do góry.

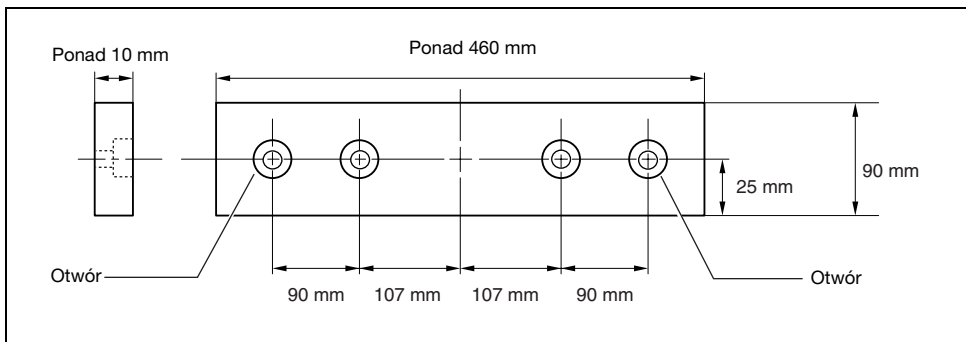


#### UWAGA:

- Podczas cięcia pod kątem pionowym zawsze upewnić się, czy brzeszczot będzie przesuwiał się w dół pod kątem pionowym. Trzymaj ręce poza ścieżką brzeszczotu.
- Podczas cięcia pionowego może zdarzyć się, że odcięty kawałek zatrzyma się na powierzchni brzeszczotu. Jeżeli brzeszczot zostanie podniesiony, kiedy będzie się jeszcze obracał, odcięty kawałek może zostać pochwycony przez brzeszczot, a jego fragmenty mogą zostać rozrzucone wokół, co jest niebezpieczne. Brzeszczot powinno podnosić się WYŁĄCZNIE po jego całkowitym zatrzymaniu.
- Podczas obniżania uchwytu naciskaj równoległe do brzeszczotu. Jeżeli podczas cięcia nacisk nie będzie równoległy do brzeszczotu, kąt brzeszczotu może zmienić się, a jakość cięcia zostać obniżona.

#### 6. Podkładka drewniana

Użycie drewnianej podkładki pomaga uzyskać cięcie bez rozszczepiania. Przymocuj drewnianą podkładkę do osłony prowadnicy, korzystając z otworów w osłonie prowadnicy. Zalecane rozmiary drewnianej podkładki podane są na rysunku.



#### UWAGA:

- Jako podkładki użyj prostego kawałka drewna o jednakowej grubości.
- Przymocuj drewnianą podkładkę śrubami do osłony prowadnicy. Śruby powinny być założone tak, aby ich łby znajdowały się pod powierzchnią drewnianej podkładki.
- Kiedy założona jest drewniana podkładka, nie obracaj podstawy obrotowej, kiedy uchwyt jest obniżony. Brzeszczot i drewniana podkładka mogą zostać uszkodzone.

#### 7. Cięcie wielu przedmiotów o tej samej długości (Rys. 42)

W przypadku docinania kilku przedmiotów do tej samej długości znajdującej się w zakresie 240 mm do 400 mm, korzystanie z płytki ustawiającej zwiększa wydajność pracy. Załóż płytkę ustawiającą na zacisk w sposób pokazany na rysunku. Ustaw linię cięcia na przecinanym przedmiocie równoległe z lewą lub prawą stroną brzozy na płycie z nacięciem i ustaw płytkę ustawiającą płasko z końcem przecinanego przedmiotu, trzymając go jednocześnie, aby się nie poruszał. Następnie zamocuj płytkę ustawiającą śrubą. Kiedy płytka ustawiająca nie jest używana, odkręć śrubę i przekręć płytkę, aby nie przeszkadzała.

#### WYJAŚNIENIE:

- Korzystając z zespołu zacisków i drążków (wyposażenie dodatkowe), można przycinać wiele przedmiotów o tej samej długości do 2 200 mm.

#### 4. Cięcie złożone

Cięcie złożone jest operacją, podczas której następuje równoczesne cięcie przedmiotu pod kątem pionowym i poziomym. Cięcie złożone można wykonywać pod kątami podanymi w tabeli.

Kąt cięcia w pionie	Kąt cięcia w poziomie
45°	W lewo i w prawo 0° – 45°

Przed cięciem złożonym zapoznaj się z wyjaśnieniami w rozdziałach „Cięcie z naciskiem”, „Cięcie pod kątem poziomym”, i „Cięcie pod kątem pionowym”.

#### 5. Cięcie kształtowników aluminiowych (Rys. 41)

W przypadku cięcia kształtowników aluminiowych korzystaj z klocków dystansowych lub ścinków materiału w sposób pokazany na rysunku, aby zapobiec zniekształceniom aluminium. Podczas cięcia kształtowników aluminiowych korzystaj ze smaru do cięcia, aby zapobiegać gromadzeniu się aluminiowych strużyn na brzeszczocie.

#### UWAGA:

- Nigdy nie próbuj przecinać grubych lub okrągłych kształtowników aluminiowych. Grube kształtowniki aluminiowe mogą poluzować się podczas pracy, a okrągłych nie można pewnie zamocować w urządzeniu.
- Nigdy nie tnij aluminium w trybie cięcia zwykłego (prostego).

## CIĘCIE ZWYKŁE (PROSTE)

### UWAGA:

- W przypadku używania urządzenia w trybie cięcia zwykłego (prostego) ustaw pokrywą brzeszczotu w taki sposób na stole obrotowym, aby była ona wyśrodkowana nad szczeliną wejścia brzeszczotu w stole obrotowym, a dwa małe występy w spodniej części pokrywy brzeszczotu weszły w półokrągłą szczelinę na obwodzie stołu obrotowego w sposób pokazany na rysunku. Następnie zamocuj uchwyt w skrajnym dolnym położeniu, wciskając do oporu przetyczkę blokady. **(Rys. 43)**
- Zawsze korzystaj z narzędzi pomocniczych, takich jak drażki i klocki do popychania, kiedy występuje niebezpieczeństwo, że dłonie i palce znajdą się blisko brzeszczotu.
- NIGDY nie wycofuj przecinanego przedmiotu, kiedy brzeszczot obraca się. Jeżeli musisz wycofać przecinany przedmiot przed zakończeniem cięcia, najpierw wyłącz urządzenie, trzymając przez cały czas mocno przecinany przedmiot. Przed wycofaniem przecinanego przedmiotu zaczekaj, aż brzeszczot zatrzyma się całkowicie. Niestosowanie się do tego zalecenia może doprowadzić do niebezpiecznego odrzucenia do tyłu przecinanego przedmiotu.
- NIGDY nie wyjmuj odciętych fragmentów, kiedy brzeszczot obraca się.
- NIGDY nie kładź rąk ani palców na drodze brzeszczotu.
- Zawsze zamocuj pewnie osłonę prowadzącą, aby nie doszło do niebezpiecznego odrzucenia do tyłu przecinanego przedmiotu.

### Narzędzia pomocnicze

Do narzędzi pomocniczych należą drażki i klocki do popychania oraz osłona pomocnicza. Korzystaj z nich, aby ciąć bezpiecznie i pewnie, bez potrzeby dotykania brzeszczotu jakąkolwiek częścią ciała.

### Kłoczek do popychania (Rys. 44)

Użyj 15 mm kawałka sklejki.

Uchwyt powinien znajdować się w środku kawałka sklejki. Przymocuj go klejem i wkrętami do drewna w pokazany sposób. Mały kawałek drewna o wymiarach 10 mm x 9 mm x 30 mm musi być zawsze przyklejony do sklejki, aby brzeszczot nie stępił się, jeżeli przypadkowo przetnie on kłoczek do popychania. (W klocku do popychania nie używaj nigdy gwoździ.)

### Osłona pomocnicza (Rys. 45 i 46)

Wykonaj osłonę pomocniczą z kawałków sklejki o wymiarach 10 mm i 15 mm.

Zdejmij osłonę prowadzącą, śrubę zaciskową (A), podkładkę płaską i nakrętkę kwadratową z uchwytu osłony prowadzącej, a następnie załóż i zamocuj osłonę pomocniczą do uchwytu osłony prowadzącej przy pomocy śruby M6 dłuższej niż M6 x 50, podkładek i nakrętki.

### KONSERWACJA

#### UWAGA:

- Przed przystąpieniem do przeglądu lub konserwacji zawsze upewnij się, czy urządzenie jest wyłączone i odłączone od zasilania.

#### OSTRZEŻENIE:

## Rozszczepianie

### UWAGA:

- Podczas cięcia długich lub dużych przedmiotów zawsze podeprzyj je właściwie za stołem. NIE pozwalaj, aby długie deski przesuwały się na stole. Może to doprowadzić do zacięcia się brzeszczotu i większego niebezpieczeństwa odrzucenia przecinanego przedmiotu do tyłu i obrażeń. Podparcie powinno znajdować się na tej samej wysokości co stół.

1. Ustaw nieco większą głębokość cięcia niż grubość przecinanego przedmiotu. Aby wykonać to ustawienie, odkręć dwie dźwignie i obniż lub podnieś stół górny.
2. Ustaw osłonę prowadzącą na żądaną szerokość rozszczepiania i zamocuj w tym położeniu zakręcając śrubę zaciskową (A). Przed rozszczepianiem upewnij się, czy dwie śruby uchwytu osłony prowadzącej są zakręcone. Jeżeli nie są wystarczająco mocno dokręcone, dokręć je.
3. Włącz urządzenie i delikatnie dosuń przecinany przedmiot do brzeszczotu, wzdłuż osłony prowadzącej.

(1) Kiedy szerokość rozszczepiania wynosi 40 mm lub więcej, użyj drażka do popychania. **(Rys. 47)**

(2) Kiedy szerokość rozszczepiania jest mniejsza niż 40 mm, nie można używać drażka do popychania, ponieważ uderzałby on o górną osłonę brzeszczotu. Użyj osłony dodatkowej i klocka do popychania.

Zamocuj pewnie osłonę dodatkową do uchwytu osłony prowadzącej na stole.

Przesuń przecinany przedmiot ręką, aż jego koniec znajdzie się około 25 mm od przedniego brzegu stołu górnego. Dosuwaj dalej przy pomocy klocka do popychania na grzbiecie osłony pomocniczej, aż zakończysz cięcie. **(Rys. 48)**

### Przenoszenie urządzenia

Upewnij się, czy urządzenie jest odłączone od zasilania. Zamocuj brzeszczot pod kątem pionowym 0° i podstawę obrotową obróconą całkowicie w lewo. Obniż do końca uchwyt i zablokuj go w położeniu dolnym wciskając do końca przetyczkę blokady. **(Rys. 49)**

Prześlij urządzenie trzymając je za obie strony podstawy w sposób pokazany na rysunku. Przeniesienie będzie łatwiejsze, jeżeli zdejmiesz zaciski, torbę na płyt itp. **(Rys. 50)**

### UWAGA:

- Przed przeniesieniem urządzenia zamocuj wszystkie ruchome części.

- W celu uzyskania najwydajniejszej i najbezpieczniejszej pracy zawsze upewnij się, czy brzeszczot jest ostry i czysty.

### Regulacja kąta cięcia

Urządzenie zostało fabrycznie starannie ustawione i wyregulowane, ale niedelikatne obchodzenie się z nim może mieć wpływ na ustawienia. Jeżeli urządzenie nie jest właściwie wyregulowane, wykonaj, co następuje.

## 1. Kąt poziomy

Odkręć uchwyt mocujący podstawę obrotową. Obróć podstawę obrotową tak, aby wskazówka pokazywała 0° na podziałce kąta poziomego. Zakręć uchwyt i odkręć klucz nasadkowy śruby sześciokątne mocujące osłonę przewodnicy. **(Rys. 51)**

Obniż całkowicie uchwyt i zamocuj w dolnym położeniu wciskając przetyczkę blokady. Ustaw brzeg brzeszczotu prostopadłe z powierzchnią osłony przewodnicy przy pomocy ekierki, trójkąta itp. Następnie zakręć mocno śruby sześciokątne w osłonie przewodnicy, aby utworzyć kąt prosty. **(Rys. 52)**

## 2. Kąt pionowy

(1) Kąt pionowy 0°

Obniż całkowicie uchwyt i zablokuj go w dolnym położeniu wciskając przetyczkę blokady. Odkręć dźwignię z tyłu urządzenia. Obróć śrubę ustawiania kąta pionowego 0° z prawej strony podstawy obrotowej o dwa lub trzy obroty zgodnie z ruchem wskazówek zegara, aby pochylić brzeszczot w prawo. **(Rys. 53)**

Ustaw starannie brzeszczot prostopadłe do górnej powierzchni podstawy obrotowej przy pomocy ekierki, trójkąta itp., obracając śrubę ustawiania kąta pionowego 0° przeciwnie do ruchu wskazówek zegara. **(Rys. 54)**

Upewnij się, czy wskazówka na podstawie obrotowej pokazuje na 0° na podziałce kąta pionowego na ramieniu. Jeżeli nie pokazuje na 0°, odkręć śrubę mocującą wskazówkę i ustaw wskazówkę tak, aby pokazywała na 0°. **(Rys. 55)**

(2) Kąt pionowy 45°

Ustawiaj kąt pionowy 45° dopiero po ustawieniu kąta pionowego 0°. Aby ustawić kąt pionowy 45°, odkręć dźwignię i pochyl brzeszczot do końca w lewo. Upewnij się, czy wskazówka na ramieniu pokazuje na 45° na podziałce kąta pionowego na ramieniu. Jeżeli wskazówka nie pokazuje na 45°, obracaj śrubę ustawiania kąta pionowego 45° po lewej stronie ramienia, aż wskazówka pokaże na 45°. **(Rys. 56)**

## Wymiana szczotek węglowych (Rys. 57 i 58)

Szczotki węglowe należy regularnie kontrolować i w razie potrzeby wymieniać.

Potrzebę wymiany szczotek sygnalizuje znacznik stopnia zużycia. Szczotki węglowe powinny być czyste, aby można je było swobodnie wsunąć do uchwytów. Obie szczotki węglowe powinny być wymieniane równocześnie. Używaj wyłącznie identycznych szczotek węglowych.

Za pomocą śrubokręta ściągnij nasadki z uchwytów szczotek. Wyjmij zużyte szczotki węglowe, wsadź nowe i załóż ponownie nasadki na uchwyty szczotek.

## Po zakończeniu pracy

- Po zakończeniu pracy wytrzyj ściereczką narzędzie z przylegających do niego wiórów i pyłu. Osłonę tarczy należy utrzymywać w czystości zgodnie ze wskazówkami zawartymi w części zatytułowanej „Osłona tarczy”. Elementy ruchome narzędzia należy zabezpieczyć przed korozją smarem.

W celu zachowania poziomu BEZPIECZEŃSTWA i NIEZAWODNOŚCI wyrobu, wszelkiego rodzaju naprawy, prace konserwacyjne lub regulacje powinny być przeprowadzane przez autoryzowany punkt serwisowy narzędzi Makita. Należy stosować wyłącznie oryginalne części zamienne Makita.

## WYPOSAŻENIE

UWAGA:

- Niniejsze wyposażenie i nakładki są zalecane do używania wraz z urządzeniem Makita określonym w tej instrukcji obsługi. Używanie jakiegokolwiek innego wyposażenia lub nakładek może spowodować niebezpieczeństwo zranienia osób. Używaj wyposażenia i nakładek wyłącznie w celu, który podano.

Jeżeli potrzebujesz pomocy związanej z dalszymi szczegółami dotyczącymi niniejszego wyposażenia, zwróć się do miejscowego punktu usługowego Makita.

- Brzeszczoty stalowe i z zębami pokrytymi węglikiem
- Płyta pomocnicza
- Zespół imadła (imadło poziome)
- Imadło pionowe
- Klucz nasadkowy 13
- Zestaw zacisku
- Zespół zacisku
- Zespół zacisków i drażków
- Płytki ustawiająca
- Torba na pył
- Ekierka
- Pokrywa brzeszczotu (osłona brzeszczotu C)
- Drażek do popychania
- Zespół linijki (osłona prowadząca)

## Szumy i drgania

ENG005-1

Typowe A-ważone poziomy szumów  
poziom ciśnienia dźwięku: 92 dB (A).  
poziom dźwięku w trakcie pracy: 105 dB (A).  
– Noś ochroniacze uszu. –

Typowa wartość ważonej średniej kwadratowej przyspieszenia nie jest większa niż  $2,5 \text{ m/s}^2$ .

### CE-DEKLARACJA ZGODNOŚCI

ENH003-1

Oświadczamy, biorąc za to wyłączną odpowiedzialność, że niniejszy wyrób jest zgodny z następującymi standardami standardowych dokumentów:

EN61029, EN55014, EN61000,

zgodnie z Zaleceniami Rady: 73/23/EEC i 89/336/EEC i 98/37/EC.

Certyfikat dokładności dokumentacji technicznej w odniesieniu do dyrektywy 98/37/EC został przyznany przez następującą jednostkę notyfikowaną:

Intertek SEMKO AB, Torshamnsgatan 43, Box 1103, SE-164 22 Kista, Szwecja.

*Yasuhiko Kanzaki* **CE 2004**



Dyrektor

### **MAKITA INTERNATIONAL EUROPE LTD.**


Michigan Drive, Tongwell, Milton Keynes,  
Bucks MK15 8JD, ENGLAND

1	Дополнительная пластина	32	Кожух лезвия	62	Держатель
2	Шестигранный болт	33	Стрелка	63	Сборка держателя
3	Основание	34	Внешний фланец	64	Регулятор тисков
4	Гайка	35	Внутренний фланец	65	Выступ
5	Болт	36	Шпиндель	66	Вал тисков
6	Нижний защитный щиток лезвия А	37	Кольцо	67	Анкер 12
7	Нижний защитный щиток лезвия В	38	Расщепляющий нож	68	Тиски (дополнительная принадлежность)
8	Верхний защитный щиток лезвия	39	Область, на которую надо нажать	69	Разделительный блок
9	Винт	40	Ширина лезвия	70	Алюминиевый профиль
10	Ручка	41	Держатель направляющей планки	71	Установочная пластина
11	Рычаг	42	Направляющая на верхнем столе	72	Маленький выступ
12	Торцевой гаечный ключ	43	Зажимной винт (А)	73	Параллельно поверхности/кромке
13	Регулировочный болт	44	Зажимной винт (В)	74	Шуруп
14	Верхняя поверхность поворотной основы	45	Направляющая планка	75	Склеить вместе
15	Периферийная часть лезвия	46	Держатель направляющей планки	76	Отверстие (7 мм в диаметре)
16	Направляющая планка	47	Рабочее изделие	77	Шайба
17	Указатель	48	Линия, с которой необходимо совместить	78	Гайка
18	Рычаг фиксации	49	Квадратная гайка	79	Болт М6
19	Захват	50	Линейка	80	Толкающая палка
20	Шкала отрезки	51	Два винта	81	Вспомогательная планка
21	Шкала наклона	52	Насадка для пыли	82	Толкающий блок
22	Переключатель	53	Мешок для пыли	83	Треугольная линейка
23	Переключатель лампы	54	Застежка	84	Регулировочный болт 0°
24	Лампы	55	Крышка	85	Кронштейн
25	Стопорный штырь	56	Пылесос	86	Регулировочный болт угла наклона 45°
26	Зажимной винт	57	Кожух лезвия	87	Ограничительная метка
27	Верхний стол	58	Подставка	88	Отвертка
28	Корпус мотора	59	Поворотная основа	89	Колпачок держателя щеток
29	Центральная крышка	60	Плечо тисков		
30	Фиксатор вала	61	Стержень тисков		
31	Лезвие пилы				

## ТЕХНИЧЕСКИЕ ХАРАКТЕРИСТИКИ

<b>Модель</b>	<b>LN1040/LN1040F</b>
Диаметр лезвия .....	255 мм – 260 мм
Диаметр отверстия	
Для всех стран, отличных от европейских стран .....	25,4 мм и 25 мм
Для европейских стран .....	30 мм
Макс. режущая способность (Г x Ш) с лезвием диаметром 260 мм в режиме торцовочной пилы.	

Угол наклона	Угол резки	
	0°	45°
0°	69 мм x 130 мм 93 мм x 95 мм	правый 69 мм x 85 мм, 93 мм x 67 мм левый 69 мм x 85 мм, 93 мм x 67 мм
45° (левый)	35 мм x 130 мм 53 мм x 95 мм	правый 35 мм x 91 мм, 49 мм x 67 мм левый 35 мм x 65 мм, 49 мм x 42 мм

Макс. режущая способность под углом 90° в режиме настольной пилы (режим пыльного станка) .....	40 мм
Скорость в незагруженном состоянии (мин <sup>-1</sup> ) .....	4800
Размер стола (Ш x Д) .....	260 мм x 405 мм
Размеры (Д x Ш x Г) .....	530 мм x 476 мм x 535 мм
Вес нетто .....	13,7 кг
Класс безопасности .....	 II

- Вследствие нашей продолжающейся программы поиска и разработок технические характеристики могут быть изменены без уведомления.
- Примечание: Технические характеристики могут различаться в зависимости от страны.

#### **Предназначенное использование**

Инструмент предназначен для аккуратной прямой резки и (только при использовании в качестве торцовочной пилы на нижнем столе) резки дерева под углом.

#### **Источник питания**

Инструмент должен быть подсоединен к источнику питания с напряжением, аналогичным указанному в табличке номиналов, и может функционировать только от однофазного источника питания переменного тока. Он снабжен двойной изоляцией в соответствии с Европейским Стандартом и может, следовательно, использоваться с гнездами без провода заземления.

## **ИНСТРУКЦИИ ПО МЕРАМ БЕЗОПАСНОСТИ**

**Предостережение!** При использовании электрических инструментов следует всегда соблюдать основные меры безопасности для уменьшения опасности пожара, поражения электрическим током и персональных травм, включая следующие.

Прочитайте эти инструкции перед тем, как пытаться управлять этим изделием, и сохраните эти инструкции.

#### **Для безопасного функционирования:**

- 1. Поддерживайте чистоту на рабочем месте**  
Захламленные места и подставки могут привести к травмам.
- 2. Учитывайте рабочую окружающую среду**  
Не подвергайте инструменты с электроприводом воздействию дождя. Не используйте инструменты с электроприводом в сырых или влажных местах. Поддерживайте хорошее освещение на рабочем месте. Не используйте инструменты с электроприводом в присутствии возгораемых жидкостей или газов.
- 3. Предохраняйтесь от поражения электрическим током**  
Предотвращайте контакт тела с заземленными поверхностями (например, трубами, радиаторами, батареями, холодильниками).
- 4. Держитесь подальше от детей**  
Не позволяйте посетителям прикасаться к инструменту или шнуру-удлинителю. Все посетители должны находиться подальше от рабочей области.
- 5. Правильно храните неработающие инструменты**  
Если инструменты не используются, они должны храниться в сухом, высоком или закрытом месте, вне досягаемости детей.
- 6. Не прилагайте усилие к инструменту**  
Он будет выполнять работу лучше и безопаснее при скорости, для которой он предназначен.

#### **7. Используйте правильный инструмент**

Не пытайтесь прилагать усилие к маленьким инструментам или присоединениям для выполнения работы инструмента тяжелого назначения. Не используйте инструменты для непредназначенных целей; например, не используйте дисковую пилу для резки веток или корней деревьев.

#### **8. Одевайтесь правильно**

Не одевайте свисающую одежду или украшения. Они могут попасть в движущиеся части. При работе на улице рекомендуется одевать резиновые перчатки и нескользящую обувь. Одевайте предохранительный головной убор для уборки длинных волос.

#### **9. Используйте защитные очки и предохранительные приборы для слуха.**

Если работа по резке является пыльной, используйте также маску для лица или пылезащитную маску

#### **10. Подсоедините пылевсасывающее оборудование**

Если имеются подсоединения устройств для всасывания и сбора пыли, убедитесь в том, что они подсоединены и используются правильно.

#### **11. Не прилагайте усилие к шнуру**

Никогда не носите инструмент за шнур и не дергайте за него для отсоединения его из розетки. Держите шнур подальше от жарких мест, масла и острых краев.

#### **12. Закрепите рабочее изделие**

Используйте зажимы или тиски для крепления рабочего изделия. Это является более безопасным, чем использование Вашей руки, и при этом освобождаются две руки для управления инструментом.

#### **13. Не заходите слишком далеко**

Сохраняйте правильную стойку и баланс все время.

#### **14. Осторожно обращайтесь с инструментами**

Держите инструменты острыми и чистыми для более лучшей и безопасной работы. Следуйте инструкциям для смазки и смены принадлежностей. Периодически проверяйте шнуры инструмента, и, если они повреждены, обращайтесь относительно ремонта в уполномоченный центр по техобслуживанию. Периодически проверяйте шнуры-удлинители и заменяйте, если они повреждены. Держите ручки сухими чистыми и свободными от масла или смазки.

#### **15. Отсоединяйте инструменты**

Если не используются, перед техобслуживанием, и при смене принадлежностей, таких, как лезвия, резы и резаки.

#### **16. Убирайте регулировочные ключи и гаечные ключи**

Сформируйте привычку проверять, что регулировочные ключи и гаечные ключи убраны с инструмента перед его включением.

#### **17. Избегайте случайных запусков**

Не носите подсоединенный к сети инструмент с пальцем, находящемся на переключателе. Перед подсоединением инструмента к сети убедитесь, что переключатель находится в положении "выкл".

18. **Шнуры-удлинители для использования на улице**  
Когда инструмент используется на улице, используйте только шнуры-удлинители, предназначенные для использования на улице с указанием этого.
  19. **Будьте бдительны**  
Наблюдайте за тем, что Вы делаете. Используйте разумный подход. Не управляйте инструментом, если Вы устали.
  20. **Проверяйте поврежденные части**  
Перед дальнейшим использованием инструмента, предохранитель или другая часть должны быть тщательно проверены для определения того, что они будут функционировать правильно и выполнять предназначенную функцию. Проверьте на предмет совмещения движущихся частей, соединения движущихся частей, поломки частей, монтажа и других условий, которые могут повлиять на их функционирование. Предохранитель или другая часть должны быть правильно отремонтированы или заменены в уполномоченном центре по техобслуживанию, если только не указано другое в этой инструкции по эксплуатации. Дефектные переключатели должны быть заменены в уполномоченном центре по техобслуживанию. Не используйте инструмент, если невозможно его включение и выключение с помощью переключателя.
  21. **Предостережение**  
Использование любой другой принадлежности или присоединения, отличного от рекомендуемого в этой инструкции по эксплуатации или каталоге, может привести к опасности персональной травмы.
  22. **Используйте для ремонта услуги специалиста**  
Это электрическое оборудование соответствует относящимся к нему правилам безопасности. Ремонт электрического оборудования может проводиться только специалистами, в противном случае, он может вызвать существенную опасность для пользователя.
4. Не эксплуатируйте пилу без прикрепленных защитных кожухов и расщепляющего ножа. Перед каждым использованием проверяйте правильное закрытие защитных кожухов лезвия. Не эксплуатируйте инструмент, если защитные кожухи лезвия не движутся свободно и не закрываются быстро. Никогда не закрепляйте и не привязывайте защитные кожухи лезвия в открытом положении. Любое неправильное функционирование защитных кожухов лезвия следует немедленно скорректировать.
  5. Сохраняйте чистыми и будьте внимательны, чтобы не повредить шпиндель, фланцы (особенно установочную поверхность) и шестигранный болт до установки или во время установки лезвия. Повреждение этих деталей может привести к поломке лезвия. Плохая установка может вызвать вибрацию/биение или проскальзывание лезвия. Используйте только фланцы, предназначенные для этого инструмента.
  6. Тщательно проверьте лезвие перед началом эксплуатации на предмет наличия трещин и повреждений. Не используйте деформированные или треснутые лезвия пилы.
  7. Используйте только рекомендованные производителем лезвия пилы, которые удовлетворяют стандарту EN847-1, и следите, чтобы расщепляющий нож не был шире, чем ширина распила лезвием пилы, и не тоньше, чем тело лезвия.
  8. Всегда используйте рекомендованные в этом руководстве принадлежности. Использование непригодных принадлежностей, например, абразивных отрезных дисков, может привести к травме.
  9. Выберите правильное лезвие пилы для материала, подлежащего резке.
  10. Не используйте лезвия пилы, сделанные из инструментальной быстрорежущей стали.
  11. Чтобы уменьшить производимый шум, следует всегда быть уверенным, что лезвие острое и чистое.
  12. Используйте правильно заточенные лезвия пилы. Соблюдайте максимальную скорость, указанную на лезвие пилы.
  13. Не режьте металл, например, гвозди и винты. Перед эксплуатацией проверьте и удалите из рабочего изделия все гвозди, винты и другие посторонние предметы.
  14. Выбейте все твердые выпадающие сучки из рабочего изделия ПЕРЕД началом резки.
  15. Не используйте инструмент в присутствии огнеопасных жидкостей или газов.
  16. Для Вашей безопасности удалите стружки, маленькие куски и т.д. с рабочего места и поверхности стола перед подсоединением инструмента и началом эксплуатации.
  17. Оператор должен иметь достаточную подготовку в использовании, регулировке и управлении инструментом.

## **ДОПОЛНИТЕЛЬНЫЕ ПРАВИЛА БЕЗОПАСНОСТИ ДЛЯ ИНСТРУМЕНТА**

**Как для режима торцовочной пилы, так и для режима настольной пилы (пильного станка):**

1. Используйте защиту для глаз и ушей. Также должно использоваться другое подходящее индивидуальное защитное оборудование.
2. НИКОГДА не используйте перчатки за исключением случаев замены лезвия пилы или обращения с грубым материалом перед эксплуатацией.
3. Сохраняйте поверхность пола вокруг инструмента в хорошем состоянии и свободной от падающего материала, например, стружек и обрезков.

18. Держите руки и сохраняйте Вашу позицию и позицию наблюдателей вне линии лезвия пилы. Избегайте контакта с лезвием, которое движется по инерции. Оно все еще может привести к серьезной травме, также никогда не приближайтесь к лезвию пилы.
19. Будьте внимательны все время, в особенности во время повторных монотонных операций. Не полагайтесь на обманчивое чувство безопасности. Лезвия являются очень непростительными.
20. Убедитесь в том, что фиксатор вала высвобожден перед тем, как включать инструмент.
21. Перед использованием инструмента на действительном рабочем изделии дайте ему немного поработать. Наблюдайте за вибрацией и колебаниями, которые могут указывать на плохую установку или плохо сбалансированное лезвие.
22. Перед резкой подождите, пока лезвие не наберет полную скорость.
23. Инструмент не должен использоваться для долбления, фальцевания или шпунтования.
24. Избегайте удаления любых обрезков или других частей рабочего изделия из зоны резки пока инструмент движется, и головка пилы не остановилась.
25. Немедленно остановите эксплуатацию, если Вы заметите что-нибудь необычное.
26. Выключите инструмент и подождите, пока лезвие пилы не остановится, перед тем, как передвигать рабочее изделие или изменять установку.
27. Отсоедините инструмент от сети перед заменой лезвия, техобслуживанием или, когда инструмент не используется.
28. Некоторые типы пыли, получающиеся при работе, содержат химические вещества, которые могут вызывать раковые заболевания, врожденные дефекты или другие повреждения репродуктивных функций. Например, такие химические вещества включают:
  - свинец из красок, содержащих свинец,
  - мышьяк и хром из химически обработанных пиломатериалов.
 Ваш риск от таких воздействий различается в зависимости от того, как часто Вы выполняете работу такого типа. Чтобы уменьшить воздействие этих химических веществ на Вас: работайте в хорошо вентилируемых помещениях и работайте с апробированным оборудованием, обеспечивающим безопасность работ, таким как пылезащитные маски, специально разработанные для фильтрации микроскопических частиц.
29. При распиливании присоедините инструмент к пылесобирающему устройству.

#### При использовании в режиме торцовочной пилы:

30. Не используйте пилу для резки материалов, отличных от дерева, алюминия или подобных материалов.
31. Не выполняйте операции свободной рукой при резке рабочего изделия в области, близкой к лезвию пилы. Во время всех операций рабочее изделие должно быть надежно зафиксировано на поворотной основе и направляющей планке.
32. Убедитесь в том, что поворотная основа правильно закреплена так, что она не будет передвигаться во время работы.
33. Убедитесь в том, что кронштейн надежно зафиксирован во время наклонной резки. Завинтите рычаг по часовой стрелке, чтобы зафиксировать кронштейн.
34. Убедитесь в том, что лезвие в самом нижнем положении не контактирует с поворотной основой и не контактирует с рабочим изделием, перед тем, как включать инструмент.
35. Крепко удерживайте ручку. Знайте, что пила немного движется вверх и вниз во время запуска и остановки.
36. Когда доска с пропилом износится, замените ее.

#### При использовании в режиме настольной пилы (пильного станка):

37. Не выполняйте никакие операции свободной рукой. Свободной рукой означает использование Ваших рук для поддержки рабочего изделия или направления рабочего изделия вместо направляющей планки.
38. Убедитесь в том, что кронштейн надежно зафиксирован в рабочем положении. Завинтите рычаг по часовой стрелке, чтобы зафиксировать кронштейн.
39. Используйте толкающую палку или толкающий блок, чтобы избежать работы с руками и пальцами, расположенными близко к лезвию пилы.
40. Убедитесь в том, что стол пильного станка надежно зафиксирован на нужной высоте.
41. Убедитесь в том, что лезвие не контактирует с расщепляющим ножом и рабочим изделием перед тем, как включать инструмент.
42. Всегда храните толкающую палку, когда она не используется.



43. Обратите особое внимание на инструкции по предотвращению риска ОТДАЧИ. ОТДАЧА – это внезапная реакция на заземленное, зажатое или не коаксиальное лезвие пилы. ОТДАЧА вызывает отброс рабочего изделия от инструмента назад по направлению к оператору. ОТДАЧА МОЖЕТ ПРИВЕСТИ К СЕРЬЕЗНОЙ ТРАВМЕ. Чтобы избежать ОТДАЧИ: сохраняйте лезвия острыми; сохраняйте направляющую планку параллельной лезвию; сохраняйте расцепляющий нож и защитный кожух прикрепленными и правильно функционирующими; не высвобождайте рабочее изделие до тех пор, пока Вы не протолкнули его полностью через лезвие; и не распилите рабочее изделие, которое перекручено, покороблено или не имеет прямых кромок, чтобы перемещать вдоль планки.
44. Избегайте резкой, быстрой подачи. Подавайте как можно медленнее при резке твердых рабочих изделий. Не сгибайте и не перекручивайте рабочее изделие во время подачи. Если лезвие застряло или зажалось в рабочем изделии, немедленно выключите инструмент. Отсоедините инструмент от сети. Затем устраниите зажим.

## СОХРАНИТЕ ЭТИ ИНСТРУКЦИИ.

### УСТАНОВКА

#### ПРЕДУПРЕЖДЕНИЕ:

- Сохраняйте поверхность пола вокруг инструмента в хорошем состоянии и свободной от падающего материала, например, стружек и обрезков.

#### Установка дополнительной пластины (Рис. 1 и 2)

Установите дополнительную пластину, используя вырез на основании инструмента, и закрепите ее, завинтив шестигранный болт.

#### Установка на верстак (Рис. 3)

Этот инструмент должен быть прикреплен с помощью двух болтов к горизонтальной и устойчивой поверхности, используя отверстия для болтов, которые имеются в основании инструмента. Это поможет предотвратить опрокидывание и возможную травму.

### ОПИСАНИЕ ФУНКЦИОНИРОВАНИЯ

#### ПРЕДУПРЕЖДЕНИЕ:

- Следует всегда быть уверенным, что инструмент выключен и отключен от сети перед настройкой или проверкой функционирования инструмента.

#### Защитный кожух лезвия (Рис. 4 и 5)

#### ПРЕДУПРЕЖДЕНИЕ:

- Убедитесь в том что, ручка не может быть опущена без нажатия рычага, расположенного вблизи ручки слева.
- Убедитесь в том что, нижние защитные кожухи лезвия А и В не могут быть открыты, если только рычаг, расположенный около ручки, не нажат в самое верхнее положение.

Когда опускается ручка при нажатии рычага влево, нижний защитный щиток лезвия А поднимается автоматически. Нижний защитный щиток лезвия В поднимается, когда он контактирует с рабочим изделием. Защитный щиток лезвия оснащен пружиной, так что он возвращается в его первоначальное состояние при окончании резки и поднятии ручки. Верхний защитный щиток лезвия ровно падает на верхнюю поверхность после того, как рабочее изделие пройдет под ним. НИКОГДА НЕ ПОВРЕЖДАЙТЕ И НЕ УДАЛЯЙТЕ НИЖНИЕ ЗАЩИТНЫЕ ЩИТКИ ЛЕЗВИЯ, ПРУЖИНУ, КОТОРАЯ ПРИСОЕДИНЕНА К НИЖНЕМУ ЗАЩИТНОМУ ЩИТКУ ЛЕЗВИЯ, И ВЕРХНИЙ ЗАЩИТНЫЙ ЩИТОК ЛЕЗВИЯ.

В интересах Вашей личной безопасности всегда сохраняйте каждый защитный щиток лезвия в хорошем состоянии. Любое неправильное функционирование защитных щитков следует немедленно скорректировать. Выполните проверку, чтобы убедиться, что пружина возвращает нижние защитные щитки в нужное состояние. НИКОГДА НЕ ИСПОЛЬЗУЙТЕ ИНСТРУМЕНТ, ЕСЛИ НИЖНИЙ ЗАЩИТНЫЙ ЩИТОК ЛЕЗВИЯ, ПРУЖИНА ИЛИ ВЕРХНИЙ ЗАЩИТНЫЙ ЩИТОК ЛЕЗВИЯ ПОВРЕЖДЕНЫ, НЕИСПРАВНЫ ИЛИ УДАЛЕННЫ. ЭТО ОЧЕНЬ ОПАСНО И МОЖЕТ ПРИВЕСТИ К СЕРЬЕЗНОЙ ТРАВМЕ.

Если какой-либо прозрачный защитный щиток лезвия загрязнился, либо на него прилипла пыль от пилы таким образом, что лезвие не различается легко, отсоедините пилу от сети питания и тщательно почистите щитки с помощью влажной ткани. Не используйте растворители или любые другие очистители на основе бензина для пластмассового щитка.

Если нижний защитный щиток лезвия А сильно загрязнился и через него ничего не видно, выполните следующее. Зафиксируйте верхний стол в полностью поднятом положении, полностью поднимите ручку, полностью нажмите стопорный штырь, когда ручка поднята полностью, и используйте поставляемый торцевой гаечный ключ для отвинчивания болта с шестигранной головкой, удерживающего центральную крышку. Отвинтите шестигранный болт, повернув его против часовой стрелки, и поднимите нижний защитный щиток лезвия А и центральную крышку, одновременно нажимая рычаг влево. С нижним защитным щитком лезвия А в этом положении возможно выполнение более полной и эффективной чистки. По окончании чистки выполните процедуру, обратную вышеописанной, и закрепите болт.

Для верхнего защитного щитка лезвия в таком же случае, как описано выше, отвинтите удерживающий его винт с помощью отвертки и удалите верхний защитный щиток лезвия. После чистки всегда устанавливайте щиток обратно, завинтив винт до такой степени, что верхний защитный щиток лезвия передвигается свободно вверх и вниз.

Если какой-либо из этих защитных щитков обесцвечивается со временем или под действием ультрафиолетовых лучей, обратитесь в центр по техобслуживанию Makita за новым щитком. НЕ ПОВРЕЖДАЙТЕ И НЕ УДАЛЯЙТЕ ЗАЩИТНЫЕ ЩИТКИ.

## Поддержание максимальной режущей способности (Рис. 6 и 7)

Этот инструмент подрегулирован на заводе для обеспечения максимальной режущей способности для лезвия пилы 260 мм.

При установке нового лезвия всегда проверяйте позицию нижнего предела лезвия и, если необходимо, подрегулируйте ее следующим образом:

### ПРЕДУПРЕЖДЕНИЕ:

- При выполнении этой регулировки расположите верхний стол в самом нижнем положении после отсоединения инструмента от сети.

Сначала отсоедините инструмент от сети. Расположите верхний стол в самом нижнем положении. Полностью опустите рукоятку. Используйте торцевой гаечный ключ, чтобы повернуть регулировочный болт, который находится снизу верхнего стола в самом большом отверстии, до тех пор, пока периферийная часть лезвия не будет слегка выступать ниже верхней поверхности поворотной основы в точке, где лицевая сторона направляющей планки соединяется с верхней поверхностью поворотной основы.

С отсоединенным инструментом поверните лезвие рукой, удерживая ручку в крайнем нижнем положении, чтобы убедиться, что лезвие не контактирует ни с какой частью нижней основы. Если необходимо, немного подрегулируйте.

### ПРЕДУПРЕЖДЕНИЕ:

- После установки нового лезвия обязательно убедитесь, что лезвие не контактирует ни с какой частью нижней основы при полностью опущенной ручке. Всегда проредывайте это с отсоединенным от сети инструментом.

## Регулировка угла отрезки (Рис. 8)

Отвинтите захват, повернув его против часовой стрелки. Поверните поворотную основу, нажимая вниз фиксирующий рычаг. Когда Вы передвинuli захват в положение, в котором указатель указывает желаемый угол на шкале отрезки, надежно завинтите захват по часовой стрелке.

### ПРЕДУПРЕЖДЕНИЕ:

- При повороте поворотной основы следует полностью поднять ручку.
- После изменения угла отрезки всегда фиксируйте поворотную основу, надежно завинчивая захват.

## Регулировка угла наклона (Рис. 9 и 10)

Для регулировки угла наклона отвинтите рычаг на задней панели инструмента против часовой стрелки. Нажмите ручку влево, чтобы наклонить лезвие пилы до тех пор, пока указатель не будет указывать на нужный угол на наклонной шкале. Затем завинтите рычаг по часовой стрелке, чтобы закрепить кронштейн.

### ПРЕДУПРЕЖДЕНИЕ:

- При наклоне лезвия пилы следует полностью поднять ручку.
- После изменения угла наклона всегда фиксируйте кронштейн, завинчивая рычаг по часовой стрелке.

## Операция переключения (Рис. 11)

### ПРЕДУПРЕЖДЕНИЕ:

- Перед эксплуатацией убедитесь в том, что инструмент включается и выключается.

Для запуска инструмента нажмите кнопку ON ( I ). Для его остановки нажмите кнопку OFF ( O ).

## Подсветка лампами (Рис. 11 и 12)

### Только для модели LH1040F

Нажмите верхнюю часть переключателя для включения лампы и нижнюю часть для выключения.

### ПРЕДУПРЕЖДЕНИЕ:

- Не смотрите непосредственно на поток света или на источник света.

### ПРИМЕЧАНИЕ:

- Используйте сухую ткань, чтобы стереть загрязнение с объектива лампы. Будьте внимательны, чтобы не поцарапать объектив лампы, так как это может уменьшить освещенность.

## Регулировка уровня верхнего стола (Рис. 13)

Чтобы подрегулировать уровень рабочего стола, ослабьте два рычага, повернув против часовой стрелки, а затем поднимите или опустите верхний стол. После регулировки надежно закрепите эти рычаги.

### ПРЕДОСТЕРЕЖЕНИЕ:

Расположите верхний стол в самом верхнем положении, когда инструмент используется в режиме торцовочной пилы, и в нужном положении, когда инструмент используется в режиме настольной пилы (пильного станка).

## СБОРКА

### ПРЕДУПРЕЖДЕНИЕ:

- Следует всегда быть уверенным, что инструмент выключен и отключен от сети перед проведением любых работ с инструментом.

## Установка или удаление лезвия пилы

### ПРЕДУПРЕЖДЕНИЕ:

- Следует всегда быть уверенным, что инструмент выключен и отключен от сети перед установкой или удалением лезвия.
- Используйте только прилагаемый торцевой гаечный ключ Makita для установки или удаления лезвия. Невыполнение этого условия может привести к слишком сильному или слишком слабому затягиванию шестигранного болта. Это может привести к травме.

Закрепите верхний стол в самом верхнем положении.

Зафиксируйте ручку в поднятом положении, нажав на стопорный штырь. (Рис. 14)

Чтобы удалить лезвие, сначала отвинтите зажимной винт так, чтобы нижний защитный щиток лезвия В опустился, как показано на рисунке. (Рис. 15)

Затем используйте торцевой гаечный ключ для отвинчивания шестигранного болта, удерживающего центральную крышку, поворачивая его против часовой стрелки. Поднимите нижний защитный щиток лезвия А и центральную крышку, нажимая рычаг, расположенный вблизи ручки слева. (Рис. 16)

Нажмите фиксатор вала, чтобы зафиксировать шпиндель, и используйте торцевой гаечный ключ, чтобы отвинтить шестигранный болт по часовой стрелке. Затем удалите шестигранный болт, внешний фланец и лезвие. (Рис. 17)

Чтобы установить лезвие, аккуратно установите его на шпиндель, убедившись, что направление стрелки на поверхности лезвия совпадает с направлением стрелки на кожухе лезвия. Установите внешний фланец и шестигранный болт, и затем используйте торцевой гаечный ключ, чтобы затянуть шестигранный болт (с левой резьбой) против часовой стрелки, нажимая на фиксатор вала. (Рис. 18 и 19)

#### ПРИМЕЧАНИЕ:

- При установке лезвия пилы следует сначала вставить его с внешней стороны защитного щитка лезвия В, а затем поднять его так, что в конечном счете лезвие расположится в защитном щитке лезвия В.

#### Для всех стран, отличающихся от европейских стран

##### ПРЕДУПРЕЖДЕНИЕ:

- Серебряное кольцо с внешним диаметром 25,4 мм установлено на шпиндель на заводе. Черное кольцо с внешним диаметром 25 мм входит в стандартное оборудование. Перед монтажом лезвия на шпиндель всегда убеждайтесь, что на шпиндель установлено правильное кольцо для установочного отверстия лезвия, которое Вы хотите использовать. (Рис. 20)

#### Для европейских стран

##### ПРЕДУПРЕЖДЕНИЕ:

- Кольцо с внешним диаметром 30 мм между внешним и внутренним фланцами установлено на заводе. (Рис. 20)

Верните нижний защитный щиток лезвия А и центральную крышку на их первоначальное место. Затем завинтите шестигранный болт по часовой стрелке, чтобы закрепить центральную крышку. Поднимите нижний защитный щиток лезвия В до упора и надежно завинтите зажимной винт, удерживая щиток в поднятом положении. Опустите рукоятку, чтобы убедиться, что нижний защитный щиток лезвия движется правильно. Перед выполнением резки убедитесь в том, что фиксатор вала высвободил шпиндель.

#### Регулировка расщепляющего ножа

Перед регулировкой расщепляющего ножа ослабьте два рычага, повернув их против часовой стрелки, и нажмите верхний стол с правой стороны около расщепляющего ножа в его нижнее положение. Затем закрепите верхний стол, вновь надежно закрепив два рычага, как показано на рисунке. (Рис. 21)

Должен быть зазор примерно 4–5 мм между расщепляющим ножом и зубьями пилы. Подрегулируйте соответствующим образом расщепляющий нож, отвинтив два шестигранных болта против часовой стрелки с помощью шестигранного торцевого гаечного ключа и измерив дистанцию. Надежно завинтите два шестигранных болта, а затем перед резкой выполните проверку, чтобы видеть, что верхний защитный щиток лезвия работает плавно. (Рис. 22)

Расщепляющий нож был установлен перед отправкой с фабрики, так что лезвие и расщепляющий нож находятся на одной линии. (Рис. 23)

#### ПРЕДУПРЕЖДЕНИЕ:

- Если лезвие и расщепляющий нож не выровнены правильно, то во время эксплуатации могут возникнуть условия для опасного защемления. Убедитесь в том, что они выровнены правильно. Вы можете получить серьезную травму во время использования инструмента, у которого неправильно выровнен расщепляющий нож. Если они не выровнены по какой-либо причине, всегда обращайтесь в уполномоченный центр по техобслуживанию Makita, чтобы отремонтировать их.

#### Установка и удаление направляющей планки

1. Установите направляющую планку на столе так, что держатель направляющей планки не совместится с направляющей. Надежно завинтите зажимной винт (В) направляющей планки по часовой стрелке.
2. Отвинтите зажимной винт (А).
3. Продвиньте направляющую планку и закрепите ее так, что дальний от Вас конец направляющей планки будет на уровне точки, в которой передний край лезвия пилы только появляется из верхней поверхности рабочего изделия. Целью этой регулировки является уменьшение риска отдачи в направлении оператора, который выполняет резку, возникающий из-за защемления рабочего изделия между лезвием пилы и направляющей планкой, и последующего отскока в направлении оператора. Линия 3 отличается в зависимости от толщины рабочего изделия или уровня стола. Подрегулируйте позицию направляющей планки в соответствии с толщиной рабочего изделия.  
После регулировки направляющей планки надежно завинтите зажимной винт (А). (Рис. 24 и 25)

#### ПРИМЕЧАНИЕ:

- Существует четыре конфигурации расположения направляющей планки, как показано на рисунке. (Рис. 26) Направляющая планка имеет два прореза на ее сторонах, один прорез с выступающей гранью около той же стороны и другой без грани. Используйте поверхность направляющей планки с этой гранью обращенной к рабочему изделию только при резке на куски тонкого рабочего изделия.

- Чтобы изменить конфигурацию направляющей планки, удалите направляющую планку из держателя направляющей планки, ослабив зажимной винт (А), и измените лицевую поверхность направляющей планки на поверхность держателя направляющей планки, так что направляющая планка будет обращена на держатель направляющей планки в соответствии с Вашей работой, как показано на рисунке. Вставьте квадратную гайку в держатель направляющей планки на заднем конце любого прореза направляющей планки так, что они будут совмещены, как показано на рисунке.

Чтобы поменять конфигурацию А или В на конфигурацию С или D, или на противоположную конфигурацию, удалите квадратную гайку, шайбу и зажимной винт (А) из держателя направляющей планки, затем поместите зажимной винт (А), шайбу и квадратную гайку на противоположную позицию держателя направляющей планки по сравнению с первоначальной позицией. Надежно завинтите зажимной винт (А) после вставления квадратной гайки держателя направляющей планки в прорез направляющей планки. Вставьте квадратную гайку в держатель направляющей планки на заднем конце любого прореза направляющей планки так, что они будут совмещены, как показано на рисунке. **(Рис. 27)** Направляющая планка отрегулирована на заводе так, что она расположена параллельно поверхности лезвия. Убедитесь в том, что она расположена параллельно. Чтобы проверить, действительно ли направляющая планка расположена параллельно лезвию. Опустите стол в самое нижнее положение так, чтобы лезвие появилось в самой верхней позиции стола. Пометьте один зуб лезвия мелком. Измерьте расстояние (А) и (В) между направляющей планкой и лезвием. Выполните оба измерения, используя зуб пилы, отмеченный мелком. **(Рис. 28)** Эти два измерения должны быть равны. Если направляющая планка не параллельна лезвию, выполните следующее: **(Рис. 29)**

1. Поверните два регулировочных винта против часовой стрелки.
2. Передвигайте дальний конец направляющей планки немного вправо или влево до тех пор, пока она не станет параллельной лезвию.
3. Надежно завинтите два винта на направляющей планке.

#### ПРЕДУПРЕЖДЕНИЕ:

- Обязательно подрегулируйте направляющую планку так, чтобы она была расположена параллельно лезвию, или могут возникнуть условия опасной отдачи.
- Обязательно подрегулируйте направляющую планку так, чтобы она не контактировала с верхним защитным щитком лезвия или лезвием пилы. **(Рис. 30)**

## Мешок для пыли

Использование мешка для пыли делает операции по резке более чистыми и облегчает сбор пыли. Для присоединения мешка для пыли вставьте его в насадку для пыли. **(Рис. 31)**

#### ПРИМЕЧАНИЕ:

- В режиме торцовочной пилы всегда вставляйте мешок для пыли только в заднюю насадку.

Когда мешок для пыли заполнен приблизительно наполовину, удалите мешок для пыли из инструмента и выгасите застезжку. Осторожно содержимое мешка для пыли, слегка похлопывая его, так чтобы удалить частицы, прилипшие к внутренним сторонам, что может препятствовать дальнейшему сбору пыли. **(Рис. 32)**

Если Вы подсоедините пылесос к Вашей пиле, то могут быть выполнены более эффективные и чистые операции.

Чтобы установить кожух лезвия во время использования в режиме настольной пилы (пыльного станка), поверните поворотную основу на угол резки 0° (см. раздел “Регулировка угла резки”) и поместите кожух лезвия на поворотный стол так, чтобы кожух лезвия был расположен по центру относительно прореза для входа лезвия в поворотный стол, а затем зафиксируйте ручку в самом нижнем положении, полностью нажав стопорный штырь, как показано на рисунке. **(Рис. 33)**

#### ПРИМЕЧАНИЕ:

- Для присоединения мешка для пыли к передней насадке для пыли в режиме настольной пилы (пыльного станка), сначала удалите крышку с передней насадки для пыли, а затем прикрепите мешок для пыли к насадке для пыли.
- Когда мешок для пыли не используется, всегда удаляйте крышку с передней насадки для пыли. Невыполнение этого условия может привести к рассеиванию пыли из насадки для пыли.
- При использовании инструмента в режиме настольной пилы (пыльного станка), убедитесь в том, что кожух лезвия установлен на поворотный стол.

## Фиксация рабочего изделия

Всегда, когда это возможно, закрепляйте рабочее изделие с помощью дополнительных тисков. Если Вы должны использовать Ваши руки, чтобы удерживать рабочее изделие, то это должно выполняться крепко и надежно так, чтобы не потерять контроль над рабочим изделием. Ваши руки и кисти должны быть обязательно вне области лезвия (минимум 100 мм). Сильно прижмите рабочее изделие к направляющей планке с помощью Ваших пальцев находящихся сверху направляющей планки. Рабочее изделие также должно неподвижно располагаться на поворотной основе.

#### ПРЕДОСТЕРЕЖЕНИЕ:

- Никогда не используйте Ваши руки для удерживания рабочего изделия, если при этом требуется, чтобы Ваши руки были ближе, чем 100 мм до области лезвия. В этом случае всегда используйте дополнительные тиски, чтобы закрепить рабочее изделие. После любой операции резки аккуратно поднимите лезвие. Никогда не поднимайте лезвие до того, как оно полностью остановится. Это может привести к серьезной травме.

#### ПРЕДУПРЕЖДЕНИЕ:

- При резке длинных рабочих изделий используйте опоры, которые являются такими же высокими, как уровень верхней поверхности поворотной основы. Не полагайтесь полностью на вертикальные тиски и/или горизонтальные тиски (обе принадлежности являются дополнительными) для фиксации рабочего изделия. **(Рис. 34)** Тонкий материал имеет тенденцию к провисанию. Создайте опору для рабочего изделия по всей его длине во избежание зажатия лезвия и возможной ОТДАЧИ.

#### Вертикальные тиски (дополнительная принадлежность) (Рис. 35)

Вертикальные тиски могут быть установлены в двух положениях, как на левой, так и на правой стороне направляющей планки или сборки держателя (дополнительная принадлежность). Вставьте анкер тисков в отверстие в направляющей планке или сборке держателя и закрутите винт для фиксации анкера тисков.

Расположите плечо тисков в соответствии с толщиной и формой рабочего изделия и зафиксируйте плечо тисков, закрутив винт. Если винт для фиксации плеча тисков контактирует с направляющей планкой, установите винт на обратной стороне плеча тисков. Убедитесь в том, что никакая часть инструмента не контактирует с тисками, когда ручка опускается полностью. Если какая-то часть контактирует с тисками, измените положение тисков.

Прижмите рабочее изделие плоско к направляющей планке и поворотной основе. Расположите рабочее изделие в нужной позиции резки и надежно зафиксируйте его, закрутив регулятор тисков.

#### ПРЕДУПРЕЖДЕНИЕ:

- Рабочее изделие должно быть надежно зафиксировано на поворотной основе и направляющей планке.

#### Горизонтальные тиски (дополнительная принадлежность) (Рис. 36)

Горизонтальные тиски могут быть установлены как на левой, так и на правой стороне основания. При выполнении резки под углом 15° или более установите горизонтальные тиски на стороне, противоположной направлению, в котором нужно поворачивать поворотную основу. При повороте регулятора тисков против часовой стрелки, винт высвобождается и вал тисков может быть быстро передвинут внутрь и наружу. При повороте регулятора тисков по часовой стрелке, винт останется зафиксированным. Для захвата рабочего изделия поверните регулятор тисков по часовой стрелке до тех пор, пока выступ не достигнет его самого верхнего положения, а затем надежно прикрепите. Если регулятор тисков втягивается или вытягивается при повороте по часовой стрелке, выступ может остановиться под углом. В этом случае поверните регулятор тисков назад против часовой стрелки до тех пор, пока винт не высвободится, перед поворотом еще немного по часовой стрелке. Максимальная ширина рабочего изделия, которое может быть закреплено с помощью горизонтальных тисков, составляет 130 мм.

#### Держатели и сборки держателя (дополнительные принадлежности)

Держатели и сборки держателя могут быть установлены на любой стороне, в зависимости от того, как удобнее держать рабочее изделие горизонтально. Установите их, как показано на рисунке. Затем надежно затяните винты, чтобы зафиксировать держатели и сборки держателя. **(Рис. 37)**

При резке длинных рабочих изделий используйте сборку держатель-стержень (дополнительная принадлежность). Она состоит из двух сборок держателя и двух стержней 12. **(Рис. 38)**

#### ПРЕДУПРЕЖДЕНИЕ:

- Всегда поддерживайте уровень длинных рабочих изделий вровень с верхней поверхностью поворотной основы для аккуратной резки и для предотвращения опасной потери управления инструментом.

## ЭКСПЛУАТАЦИЯ

### ПРЕДУПРЕЖДЕНИЕ:

- Перед использованием убедитесь, что Вы высвободили ручку из нижнего положения, вытянув стопорный штырь.
- Убедитесь в том, что лезвие не контактирует с рабочим изделием и т.п. перед тем, как включать инструмент.

## РЕЗКА В РЕЖИМЕ ТОРЦОВОЧНОЙ ПИЛЫ

### ПРЕДОСТЕРЕЖЕНИЕ:

- При использовании инструмента в режиме торцовочной пилы закрепите верхний стол в самом верхнем положении так, чтобы лезвие пилы никогда не выступало на верхней поверхности верхнего стола.

### ПРЕДУПРЕЖДЕНИЕ:

- Не прикладывайте во время резки чрезмерное давление к ручке. Слишком большое давление может привести к перегрузке двигателя и/или уменьшению эффективности резки. Нажимайте на ручку вниз только с такой силой, какая необходима для ровной резки, и без значительного уменьшения скорости вращения лезвия.
- Слегка нажмите на ручку для выполнения резки. Если ручка нажата сильно или если приложено боковое давление, лезвие будет вибрировать и оставлять следы (следы от пилы) на рабочем изделии и точность резки ухудшится.

#### 1. Нажимная резка (Рис. 39)

Зафиксируйте рабочее изделие относительно направляющей планки и поворотного стола. Включите инструмент так, чтобы лезвие не касалось рабочего изделия, и подождите, пока лезвие не наберет полную скорость перед вращением. Затем слегка вращайте ручку в самое нижнее положение для резки рабочего изделия. Когда резка завершена, выключите инструмент и **ПОДОЖДИТЕ ДО ТЕХ ПОР, ПОКА ЛЕЗВИЕ НЕ ОСТАНОВИТСЯ ПОЛНОСТЬЮ** перед возвратом лезвия в полностью поднятое положение.

#### 2. Резка под углом

Обращайтесь к приведенному выше разделу “Регулировка угла отрезки”.

#### 3. Наклонная резка (Рис. 40)

Отвинтите рычаг и наклоните лезвие пилы для установки угла наклона (Обращайтесь к приведенному выше разделу “Регулировка угла наклона”). Следует повторно крепко завинтить рычаг для надежной фиксации выбранного угла резки. Зафиксируйте рабочее изделие относительно направляющей планки и поворотного стола. Убедитесь в том, что рама подтянута до упора по направлению к оператору. Включите инструмент так, чтобы лезвие не касалось рабочего изделия, и подождите, пока лезвие не наберет полную скорость. Затем плавно опустите ручку в самое нижнее положение, одновременно прикладывая давление параллельно к лезвию. Когда резка завершена, выключите инструмент и **ПОДОЖДИТЕ ДО ТЕХ ПОР, ПОКА ЛЕЗВИЕ НЕ ОСТАНОВИТСЯ ПОЛНОСТЬЮ** перед возвратом лезвия в полностью поднятое положение.

### ПРЕДУПРЕЖДЕНИЕ:

- Следует всегда быть уверенным, что лезвие будет двигаться вниз в направлении наклона при наклонной резке. Держите руки подальше от пути лезвия пилы.
- Во время наклонной резки могут быть созданы условия, когда отрезанный кусок будет сложен на сторону лезвия. Если лезвие поднимается при еще вращающемся лезвии, этот кусок может быть захвачен лезвием, приведя к разбрасыванию кусочков вокруг, что представляет опасность. Поднимайте лезвие **ТОЛЬКО** после того, как оно полностью остановится.
- При нажатии на ручку вниз приложите давление параллельно лезвию. Если давление не параллельно лезвию во время резки, угол лезвия может быть сдвинут и точность резки ухудшится.

#### 4. Составная резка

Составная резка является процессом, при котором угол наклона выбирается в то же самое время, когда угол отрезки прорезается в рабочем изделии. Выполнение составной резки возможно под углами, показанными в нижеприведенной таблице.

Угол наклона	Угол отрезки
45°	Левый и правый 0° – 45°

При выполнении составной резки обращайтесь к объяснениям в разделах “Нажимная резка”, “Резка под углом” и “Наклонная резка”.

#### 5. Резка алюминиевого профиля (Рис. 41)

При фиксации алюминиевых профилей используйте разделительные блоки или обрезанные куски, как показано на рисунке, для предотвращения деформации алюминия. Используйте смазку для металлорежущих инструментов при резке алюминиевого профиля для предотвращения наложения алюминиевого материала на лезвие.

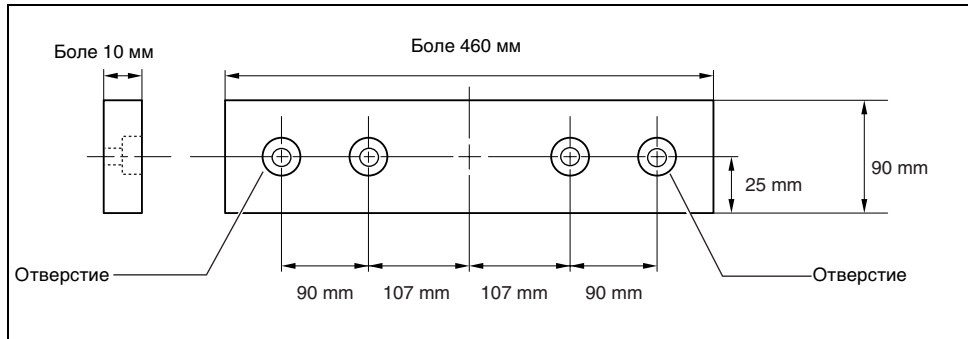
### ПРЕДУПРЕЖДЕНИЕ:

- Никогда не пытайтесь резать толстые или круглые алюминиевые профили. Толстые алюминиевые профили могут выпасть во время эксплуатации, а круглые алюминиевые профили невозможно надежно зафиксировать с помощью этого инструмента.
- Никогда не выполняйте резку алюминия в режиме настольной пилы (пильного станка):

## 6. Деревянное покрытие

Использование деревянного покрытия помогает обеспечить свободную от расколов резку рабочих изделий. Присоедините деревянное покрытие к направляющей пластине, используя отверстия в направляющей пластине.

Относительно размеров для предполагаемого деревянного покрытия см. рисунок.



### ПРЕДУПРЕЖДЕНИЕ:

- В качестве деревянного покрытия используйте гладкую древесину одинаковой толщины.
- Используйте винты, чтобы, присоединить деревянное покрытие к направляющей пластине. Винты должны быть установлены так, чтобы головки винтов были ниже поверхности деревянного покрытия.
- Когда прикреплено деревянное покрытие, не поворачивайте поворотную основу с опущенной ручкой. Лезвие и/или деревянное покрытие будут повреждены.

## 7. Резка повторяющихся длин (Рис. 42)

При резке нескольких кусков досок одинаковой длины, в диапазоне от 240 мм до 400 мм, использование установочной пластины будет способствовать более эффективной эксплуатации. Установите установочную пластину на держатель, как показано на рисунке.

Совместите линию резки на Вашем рабочем изделии на левой или правой стороне канавки на доске с пропилом, и удерживая рабочее изделие от движения, передвиньте установочную пластину заподлицо с концом рабочего изделия. Затем надежно закрепите установочную пластину с помощью винта. Когда установочная пластина не используется, ослабьте винт и вытащите установочную пластину.

### ПРИМЕЧАНИЕ:

- Использование сборки держатель-стержень (дополнительная принадлежность) позволяет выполнять повторную резку изделий длиной приблизительно до 2200 мм.

## РЕЗКА В РЕЖИМЕ НАСТОЛЬНОЙ ПИЛЫ (ПИЛЬНОГО СТАНКА)

### ПРЕДУПРЕЖДЕНИЕ:

- При использовании инструмента в режиме настольной пилы (пильного станка) поместите кожух лезвия на поворотный стол так, чтобы кожух лезвия был расположен по центру относительно прореза для входа лезвия в поворотный стол, и чтобы два небольших выступа на нижней стороне кожуха лезвия входили в полукруглый прорез на периферийной части поворотного стола, как показано на рисунке, а затем зафиксируйте ручку в самом нижнем положении, полностью нажав на стопорный штырь. **(Рис. 43)**
- Всегда используйте “рабочие помощники” такие, как толкающие палки и толкающий блок, когда существует опасность того, что Ваши руки или пальцы будут близко к лезвию.
- НИКОГДА НЕ вытаскивайте рабочее изделие, пока лезвие движется. Если Вам нужно вытащить рабочее изделие перед завершением резки, сначала выключите инструмент, крепко удерживая рабочее изделие. Перед вытаскиванием рабочего изделия подождите до тех пор, пока лезвие полностью не остановится. Невыполнение этого условия может вызвать опасную отдачу.
- НИКОГДА НЕ удаляйте отрезанный материал, пока лезвие движется.
- НИКОГДА не помещайте Ваши руки или пальцы на пути лезвия пилы.
- Всегда надежно закрепляйте направляющую планку, или может произойти опасная отдача.

## Рабочие помощники

Толкающие палки, толкающие блоки или вспомогательная планка являются видами "рабочих помощников". Используйте их, чтобы производить безопасную надежную резку без необходимости для оператора контактировать с лезвием любой частью тела.

### Толкающий блок (Рис. 44)

Используйте 15 мм кусок фанеры. Ручка должна быть в центре куска фанеры. Закрепите, как показано, с помощью клея и шурупов. Небольшой кусок дерева 10 мм x 9 мм x 30 мм должен быть обязательно приклеен к фанере, чтобы предотвратить затупление лезвия, если оператор по ошибке режет в толкающем блоке. (Никогда не используйте гвозди в толкающем блоке.)

### Вспомогательная планка (Рис. 45 и 46)

Сделайте вспомогательную планку из 10 мм и 15 мм кусков фанеры.

Снимите направляющую планку, зажимной винт (А), плоскую шайбу и квадратную гайку с держателя направляющей планки, и затем присоедините и зафиксируйте вспомогательную планку на держателе направляющей планки, используя болт М6 длиннее, чем М6 x 50, шайбы и гайку.

## Продольный распил

### ПРЕДУПРЕЖДЕНИЕ:

При резке длинных или больших рабочих изделий, всегда обеспечивайте соответствующую поддержку позади стола. НЕ позволяйте длинной доске перемещаться или сдвигаться на столе. Это приведет к тому, что лезвие зажмется, и увеличит вероятность отдачи и травмы. Поддержка должна быть на такой же высоте, как и высота стола.

1. Подрегулируйте глубину резки немного больше, чем толщина рабочего изделия. Для выполнения этой регулировки ослабьте два рычага и опустите или поднимите верх стола.
2. Расположите направляющую планку на нужной ширине направляющей планки и зафиксируйте ее на месте, закрутив зажимной винт (А). Перед распиловкой убедитесь, что два винта на держателе направляющей пластины зафиксированы. Если они недостаточно надежно зафиксированы, затяните их еще раз.
3. Включите инструмент и слегка подайте рабочее изделие на лезвие вместе с направляющей планкой.

- (1) Когда ширина разреза 40 мм или шире, используйте толкающую палку. (Рис. 47)

- (2) Когда ширина разреза уже, чем 40 мм, толкающая палка не может быть использована, так как толкающая палка будет ударять по верхней части щитка лезвия. Используйте вспомогательную планку и толкающий блок.

Надежно установите вспомогательную планку, которая зафиксирована на держателе направляющей планки на столе. Подайте рабочее изделие рукой до тех пор, пока конец не будет приблизительно в 25 мм от переднего края верха стола. Продолжайте подавать, используя толкающий блок на верху вспомогательной планки, до тех пор, пока резка не будет завершена. (Рис. 48)

## Переноска инструмента

Убедитесь в том, что инструмент отсоединен от сети. Закрепите лезвие под углом наклона 0° и поворотную основу в положении крайнего левого угла резки. Опустите полностью ручку и зафиксируйте ее в опущенном положении, полностью нажав на стопорный штырь. (Рис. 49)

Переносите инструмент, удерживая обе стороны основания инструмента, как показано на рисунке. Если Вы удалите держатели, мешок для пыли и т.д., Вы можете легче переносить инструмент. (Рис. 50)

### ПРЕДУПРЕЖДЕНИЕ:

- Перед переноской инструмента всегда закрепляйте все движущиеся части.

## ТЕХНИЧЕСКОЕ ОБСЛУЖИВАНИЕ

### ПРЕДУПРЕЖДЕНИЕ:

- Следует всегда быть уверенным, что инструмент выключен и отключен от сети перед выполнением проверки или техническим обслуживанием.

### ПРЕДОСТЕРЕЖЕНИЕ:

- С целью наилучшей и безопасной эксплуатации всегда следует убеждаться, что лезвие является острым и чистым.

## Регулировка угла резки

Инструмент тщательно подрегулирован и отцентрирован на заводе, но грубое обращение может повлиять на центровку. Если Ваш инструмент отцентрирован не правильно, выполните следующее:

### 1. Угол резки

Отвинтите захват, который закрепляет поворотную основу. Поверните поворотную основу так, чтобы указатель указывал на 0° на шкале отрезки. Завинтите захват и отвинтите шестигранные болты, которые закрепляют направляющую планку, используя торцевой гаечный ключ. (Рис. 51)

Опустите полностью ручку и зафиксируйте ее в опущенном положении, нажав на стопорный штырь. Придайте прямой угол стороне лезвия и лицевой поверхности направляющей планки, используя треугольную линейку, плотничный угольник и т.д. Затем надежно завинтите шестигранные болты на направляющей планке в направлении с правой стороны. (Рис. 52)



## 2. Угол наклона

### (1) Угол наклона 0°

Опустите полностью ручку и зафиксируйте ее в опущенном положении, нажав на стопорный штырь. Ослабьте рычаг на задней части инструмента. Поверните регулировочный болт угла наклона 0° на правой стороне поворотной основы на два или три оборота по часовой стрелке, чтобы наклонить лезвие направо. (Рис. 53)

Аккуратно совместите под прямым углом сторону лезвия с верхней поверхностью поворотной основы, используя треугольную линейку, рейшину и т.д., поворачивая регулировочный болт угла наклона 0° против часовой стрелки. (Рис. 54)

Убедитесь в том, что указатель на кронштейне указывает 0° на наклонной шкале на кронштейне. Если он не указывает на 0°, отвинтите винт, который закрепляет указатель, и подрегулируйте указатель так, чтобы он указывал на 0°. (Рис. 55)

### (2) Угол наклона 45°

Подрегулируйте угол наклона 45° только после выполнения регулировки угла наклона 0°. Для регулировки угла наклона 45° влево отвинтите рычаг и наклоните лезвие пилы полностью влево. Убедитесь в том, что указатель на кронштейне указывает 45° на наклонной шкале на кронштейне. Если указатель не указывает 45°, поворачивайте регулировочный болт угла наклона 45° на левой стороне кронштейна до тех пор, пока указатель не укажет 45°. (Рис. 56)

## Замена угольных щеток (Рис. 57 и 58)

Удаляйте и проверяйте угольные щетки регулярно. Замените, если они изнашиваются до ограничительной метки. Сохраняйте угольные щетки в чистоте и свободными от сдвига в держателях. Следует заменять обе угольные щетки одновременно. Используйте только идентичные угольные щетки. Используйте отвертку для удаления крышек держателей щеток. Вытащите изношенные угольные щетки, вставьте новые и зафиксируйте крышки держателей щеток.

## После использования

- После использования сотрите все стружки и пыль, прилипшие к инструменту, с помощью мокрой ткани или подобного предмета. Сохраняйте щиток лезвия в чистоте в соответствии с указаниями, приведенными ранее в параграфе "Щиток лезвия". Смажьте движущиеся части машинным маслом для предотвращения образования ржавчины.

Для поддержания БЕЗОПАСНОСТИ и ДОЛГОВЕЧНОСТИ изделия починка, любое другое обслуживание или регулировка должны быть выполнены в уполномоченных центрах по техобслуживанию Makita, всегда используя сменные части Makita.

## ПРИНАДЛЕЖНОСТИ

### ПРЕДУПРЕЖДЕНИЕ:

- Эти принадлежности или приспособления рекомендуются для использования с Вашим инструментом Makita, указанным в руководстве. Использование любых других принадлежностей или приспособлений может вызвать риск причинения травмы. Используйте принадлежности или приспособления только для указанных целей.

Если Вам необходима какая-либо помощь относительно дальнейших подробностей об этих принадлежностях, обращайтесь в Ваш местный центр по техобслуживанию Makita.

- Лезвия пилы стальные с твердосплавной пластиной
- Дополнительная пластина
- Тиски в сборе (Горизонтальные тиски)
- Вертикальные тиски
- Торцевой ключ 13
- Набор держателя
- Сборка держателя
- Сборка стержня держателя
- Установочная пластина
- Мешок для пыли
- Треугольная линейка
- Кожух лезвия (Защитный щиток лезвия C)
- Толкающая палка
- Сборка линейки (Направляющая планка)

## Шум и вибрация

EN6005-1

Типичные A-взвешенные уровни шума составят уровень звукового давления 92 дБ (A).

уровень звуковой мощности 105 дБ (A).

– Надевайте защиту для слуха. –

Типичное взвешенное значение квадратного корня ускорения составляет не более чем 2,5 м/с<sup>2</sup>.

## ЕС ДЕКЛАРАЦИЯ СООТВЕТСТВИЯ

EN6003-1

Мы заявляем под свою собственную ответственность, что этот продукт находится в соответствии со следующими стандартами документов по стандартизации:

EN61029, EN55014, EN61000,

согласно сборникам директив 73/23/EEC, 89/336/EEC и 98/37/EC.

Сертификат соответствия технических данных относительно Директивы 98/37/EC был получен от следующей регистрационной организации:

Intertek SEMKO AB, Torshamnsgatan 43, Box 1103, SE-164 22 Kista, Sweden

Ясухико Канзак **CE 2004**



Директор

## MAKITA INTERNATIONAL EUROPE LTD.

Michigan Drive, Tongwell, Milton Keynes,  
Bucks MK15 8JD, ENGLAND





**Makita Corporation**  
Anjo, Aichi, Japan

884548A200