

HIKOKI**DEMOLITION HAMMER H45MEY**

Item Nb.	Code Nb.	Description	Nb. Used	Remarks
1	337562	FRONT CAP	1	
2	318590	STOPPER RING	1	
3	370172	RETAINER WASHER	1	
4	370173	GRIP	1	
5	339053	RETAINER DAMPER (A)	1	
6	337558	BIT LOCK HOLDER	1	
7	370239	STEEL BALL D5	4	
8	370242	SPRING HOLDER (A)	1	
9	370243	RETAINER SPRING	1	
10	370244	SPRING HOLDER (B)	1	
11	333255	STOPPER RING	1	
12	370240	BALL HOLDER	1	
13	370241	GRIP (B)	1	
14	998471	HEX. SOCKET HD. BOLT (W FLANGE) M5X12	3	
15	370238	CYLINDER CASE COVER	1	
16	320803	RING	1	
17	337664	O RING (S-35)	1	
18	991712	HEX. SOCKET HD. BOLT (W FLANGE) M6X25	4	
19	370226	CYLINDER CASE	1	
20	956996	O RING (1AS-60)	1	
21	337549	RETAINER DAMPER HOLDER	1	
22	337548	RETAINER DAMPER (B)	1	
23A	370654	BIT LOCK	2	
24	370227	RETAINER SLEEVE	1	
25	324921	O RING (C)	1	
26	370228	SECOND HAMMER	1	
27	370229	DAMPER WASHER	1	
28	370259	DAMPER	1	
29	370230	WEIGHT WASHER	3	
30	326662	DAMPER (C)	1	
31	370231	DAMPER HOLDER	1	
32	370232	CYLINDER HOLDER	1	
33	370233	CYLINDER	1	
34	370235	STOPPER RING	1	
35	370234	STRIKER	1	
36	325297	O RING (I. D 27.2)	2	
37	370236	WEIGHT SPRING	2	
38	370237	WEIGHT	1	
39	967270	RETAINING RING FOR D52 HOLE	1	
40	324917	PISTON PIN	1	
41	324915	PISTON	1	
42	339049	CONNECTING ROD ASS'Y	1	INCLUD. 43
43	335303	NEEDLE BEARING	1	
44	953174	HEX. HD. TAPPING SCREW D5X55	2	
*45	340885E	STATOR SENSOR PCB SET 220V-240V	1	
46	958915	WASHER (A)	1	
47	629VWM	BALL BEARING 629VV	1	
48	339910	SPACER	2	
49	986940	SEAL LOCK HEX. SOCKET HD. BOLT M6X45	4	
50A	333263	DUST SEAL	1	
51A	376434	TAIL COVER	1	
52	370251	HOUSING	1	
*53	370250	CONTROLLER 220V-240V	1	

* ALTERNATIVE PARTS

HIKOKI**DEMOLITION HAMMER H45MEY**

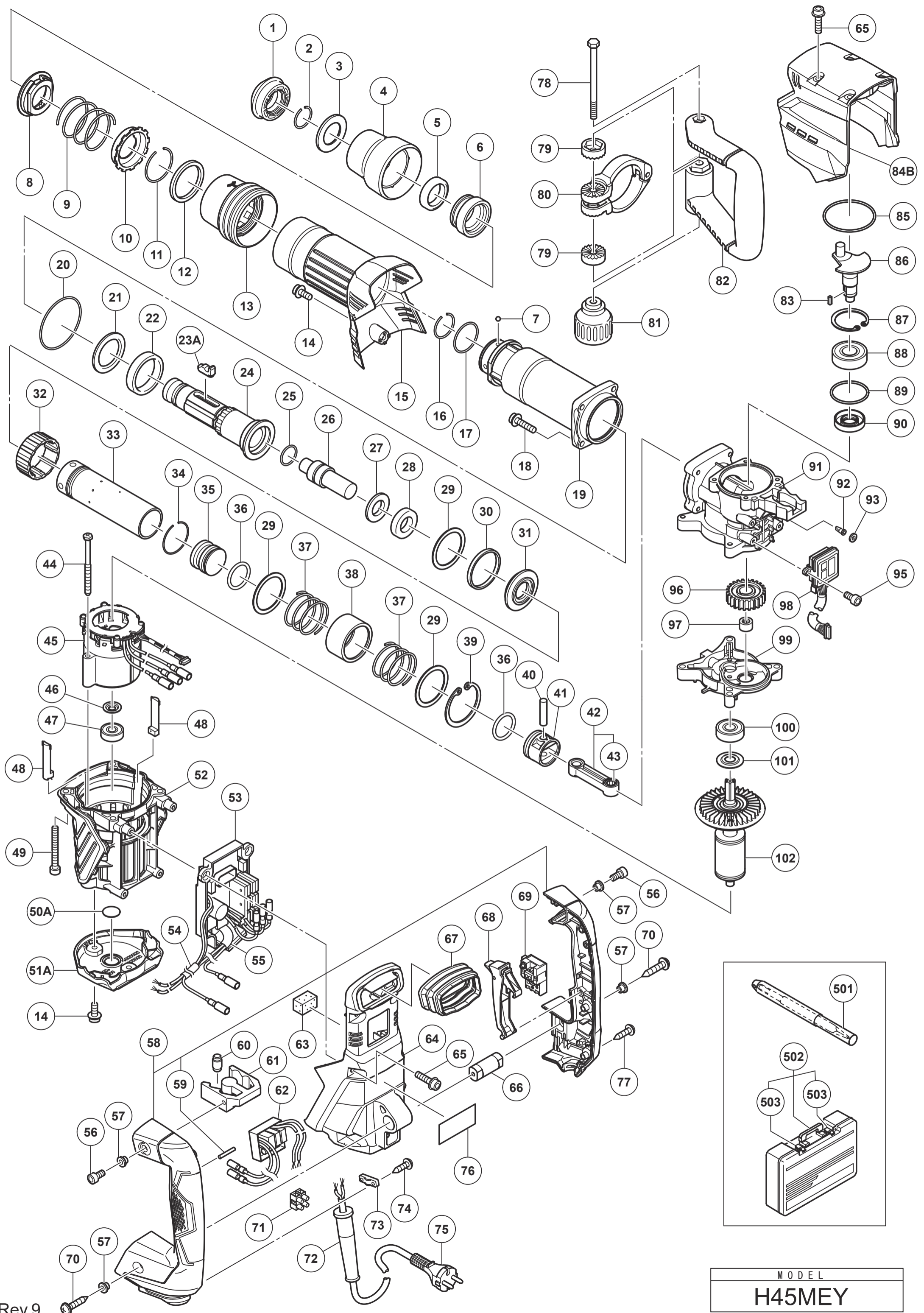
Item Nb.	Code Nb.	Description	Nb. Used	Remarks
54	370074	VINYL TUBE L50	1	
55	370073	VINYL TUBE L35	1	
56	991690	SEAL LOCK HEX. SOCKET HD. BOLT M5X12	2	
57	991711	DISTANCE PIECE (B)	4	
58	370258	HANDLE (A) . (B) SET	1	INCLUD. 59
59	949890	PIN DBX20 (10 PCS.)	1	
60	310124	HANDLE DAMPER	4	
61	310123	TRANSATORY UNIT	1	
*62	337586	FILTER PCB SET 220V- 240V	1	
63	338447	SPONGE (B)	1	
64	370246	BACK COVER	1	
65	994192	HEX. SOCKET HD. BOLT (W FLANGE) M5X16	10	
66	370253	HANDLE SHAFT	1	
67	337591	BELLOWS	1	
68	370254	TRIGGER	1	
69	337587	SWITCH	1	
70	305558	TAPPING SCREW(W FLANGE) D5X25 (BLACK)	2	
71	958308Z	PILLAR TERMINAL (A)	1	
*72	940778	CORD ARMOR D10. 7	1	
73	960266	CORD CLIP	1	
74	984750	TAPPING SCREW(W FLANGE) D4X16	2	
*75	321537	CORD	1	(CORD ARMOR D10. 7)
76		NAME PLATE	1	
77	301653	TAPPING SCREW(W FLANGE) D4X20 (BLACK)	3	
78	333228	BOLT M8	1	
79	333202	HANDLE HOLDER (B)	2	
80	370247	HANDLE HOLDER	1	
81	333201	GRIP	1	
82	333199	SIDE HANDLE	1	
83	940533	FEATHER KEY 3X3X10	1	
84B	370256	CRANK COVER	1	
85	876433	CYLINDER O- RING (B) I. D 55. 9	1	
86	370225	CRANK SHAFT	1	
87	948391	RETAINING RING FOR D40 HOLE	1	
88	6203DD	BALL BEARING 6203DDCMPS2L	1	
89	996363	O- RING (S- 40)	1	
90	321274	OIL SEAL (B)	1	
91	370224	CRANK CASE	1	
92	995396	VALVE	1	
93	949422	WASHER M8 (10 PCS.)	1	
95	983162	SEAL LOCK HEX. SOCKET HD. BOLT M4X12	2	
96	337532	FIRST GEAR	1	
97	939299	NEEDLE BEARING (M661)	1	
98	337581	PANEL	1	
99	370252	GEAR COVER	1	
100	6201DD	BALL BEARING 6201DDCMPS2L	1	
101	302429	DUST WASHER (B)	1	
102	337578	ROTOR	1	
		STANDARD ACCESSORIES		
501	313471	BULL POINT (SDS MAX) 280L	1	
502	337594	CASE (PLASTIC)	1	INCLUD. 503
503	372113	BUCKLE	2	
		OPTIONAL ACCESSORIES		

* ALTERNATIVE PARTS

HIKOKI**DEMOLITION HAMMER H45MEY**

Item No.	Code No.	Description	Nb. Used	Remarks
601	981840	GREASE (A) FOR HAMMER, HAMMER DRILL (30G)	1	
602	308471	GREASE FOR HAMMER, HAMMER DRILL (70G)	1	
603	980927	GREASE FOR HAMMER, HAMMER DRILL (500G)	1	EXCEPT FOR USA, CAN
604	313471	BULL POINT (SDS MAX) 280L	1	
605	313472	BULL POINT (SDS MAX) 400L	1	
606	313473	COLD CHISEL (SDS MAX) 280MM	1	
607	313474	COLD CHISEL (SDS MAX) 400MM	1	
608	313475	CUTTER (SDS MAX) V60X400L	1	
609	313476	SCOOP (SDS MAX) 400L	1	
610	313477	BUSHING TOOL (SDS MAX)	1	
611	313478	RAMMER (SDS MAX) 150MMX150MM	1	
612	313479	SHANK (SDS MAX) FOR RAMMER, BUSHING TOOL	1	

* ALTERNATIVE PARTS



Rev.9
14.9.2021

MODEL
H45MEY